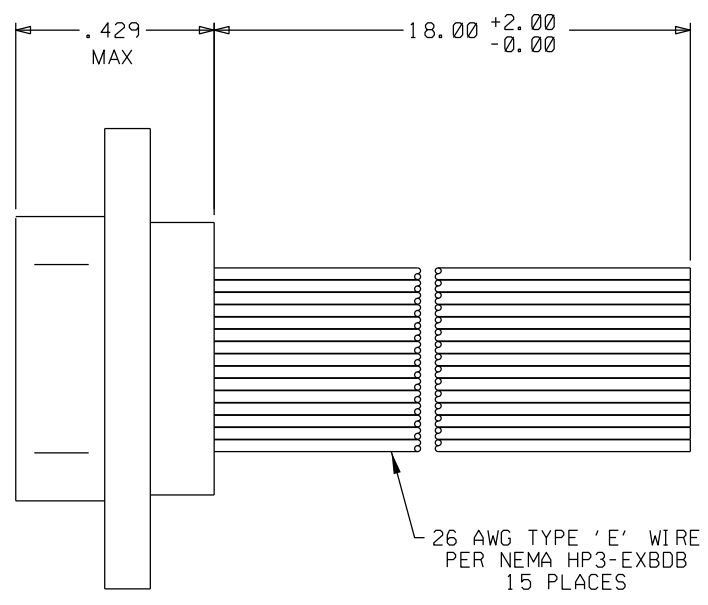
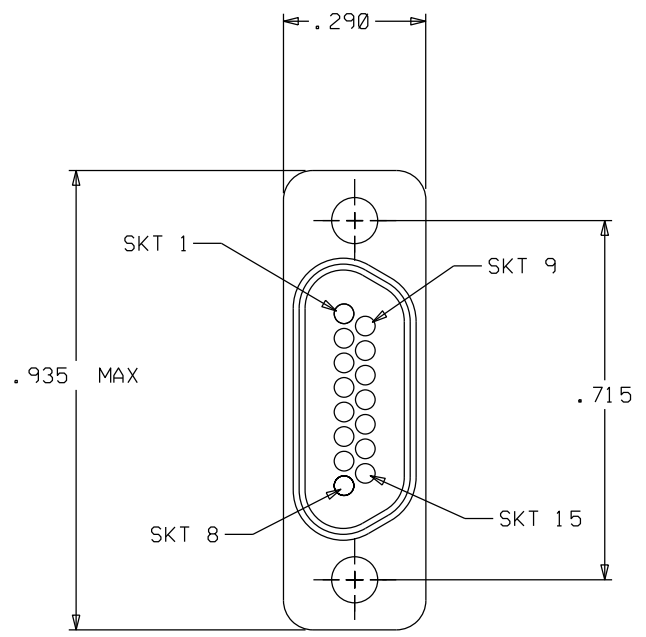


PART REV	DWG ISSUE	DATE	ECN NO.	APPVD BY	REL BY
-	-	7-2-12	UMI 4654	DW	DW



SKT	
1	BLK
2	BRN
3	RED
4	ORG
5	YEL
6	GRN
7	BLU
8	VIO
9	GRY
10	WHT
11	W/BLK
12	W/BRN
13	W/RED
14	W/ORG
15	W/YEL

3. TEMPERATURE RATING: 200°C

- 2 MATERIALS:  
 SHELL: 6061-T6 ALUMINUM PER AMS-QQ-A200/8, CADMIUM PLATED PER AMS-QQ-P-416  
 INSULATOR: PPS, GST-40F PER MIL-M-24519, COLOR: BLACK  
 SOCKET CONTACTS: C21000 BRASS PER ASTM B36, GOLD PLATED PER ASTM B488  
 INTERFACIAL SEAL: FLUOROSILICONE PER MIL-R-25988

1. MARKINGS: "UMI", UMI DATE CODE, AND UMI PART NUMBER

NOTES: UNLESS OTHERWISE SPECIFIED.

QUALITY SYMBOLS CRITICAL SPECIAL KEY S K	UNLESS SPECIFIED: ALL DIMENSIONS IN INCHES GENERAL TOLERANCES: 3 PLACE ±.005 2 PLACE ±.01 ANGULAR ±2°	SCALE: NONE DWG SIZE: B THIRD ANGLE PROJECTION	REVISE ON CAD ONLY	
	ALL EXTERNAL SPECIFICATIONS REFERENCED ON THIS DRAWING SHALL BE TO THE LATEST REVISION IN EFFECT UMI-Mate CAGE CODE: <b>58967</b>	DRAWN BY & DATE: DW 7-2-12 CHECKED BY & DATE: SEE ECN APPROVED BY & DATE: SEE ECN	TITLE: RECEPTACLE ASSEMBLY, FEMALE, SIZE 15 WIRED, HIGH TEMP, MRI 5S0-26E5-18.0-HT MATERIAL:	
		CAD FILENAME: SD-839040150.DGN PART NO.: 839040150 DRAWING NO.: SD-839040150	SHEET NO.: 1 OF 1	
		THIS DRAWING CONTAINS INFORMATION THAT IS PROPRIETARY TO ULTI-MATE INCORPORATED AND SHOULD NOT BE USED WITHOUT WRITTEN PERMISSION.		

