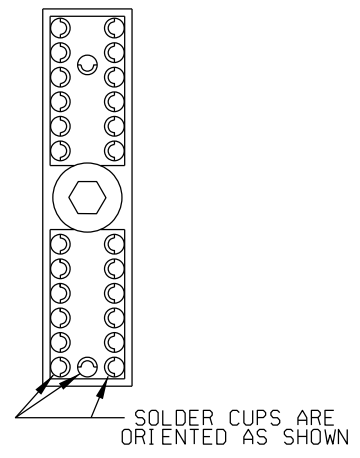
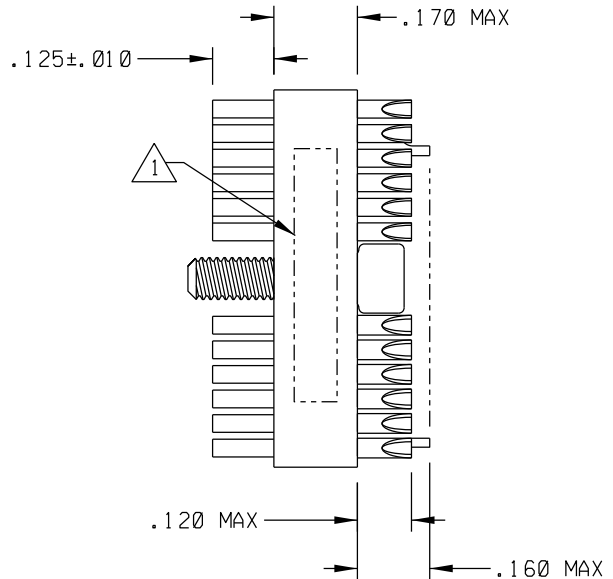
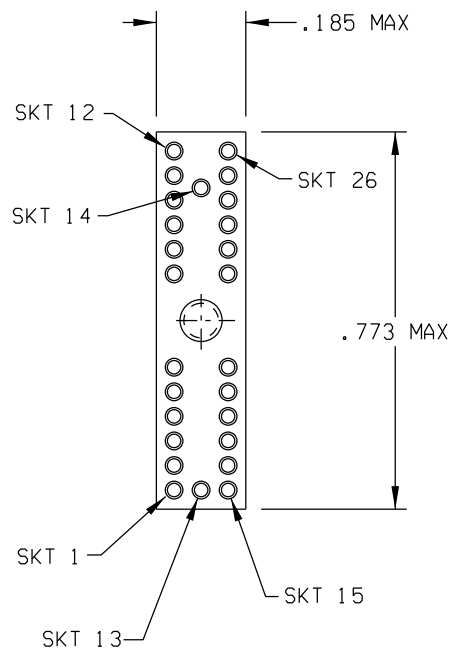


PART REV	DWG ISSUE	DATE	ECN NO.	APPVD BY	REL BY
-	-	12-7-16	UMI 6165	DW	DW



3. PERFORMANCE SPECIFICATIONS:
 CURRENT RATING: 3 AMPS MAX
 DWV: 600 VAC
 INSULATION RESISTANCE: 5000 MEGOHMS MIN
 TEMPERATURE RATING: -55°C TO 125°C

2 MATERIALS:
 INSULATOR: PPS PER MIL-M-24519 GST 40F, COLOR: BLACK
 SOCKET CONTACTS: C31400 COPPER ALLOY PER ASTM B140
 HARDWARE: PASIVATED STAINLESS STEEL

1 MARKINGS: "UMI", UMI DATE CODE, UMI PART NUMBER, AND WORK ORDER NUMBER.
 NOTES: UNLESS OTHERWISE SPECIFIED

QUALITY SYMBOLS CRITICAL SPECIAL KEY	UNLESS SPECIFIED: ALL DIMENSIONS IN INCHES GENERAL TOLERANCES: 3 PLACE ±.005 2 PLACE ±.01 ANGULAR ±2°	SCALE 4:1	DWG SIZE B	THIRD ANGLE PROJECTION	REVISE ON CAD ONLY	
	ALL EXTERNAL SPECIFICATIONS REFERENCED ON THIS DRAWING SHALL BE TO THE LATEST REVISION IN EFFECT Uti-Mate CAGE CODE 58967	DRAWN BY & DATE DW 12-7-16 CHECKED BY & DATE SEE ECN APPROVED BY & DATE SEE ECN	TITLE: JSB, SOLDER CUP SOCKET CONTACTS, 26 POSITIONS, JSBR-26TS		MATERIAL: 2	Uti-Mate Connector Inc.
		CAD FILENAME SD-838332000.DGN	PART NO. 838332000	DRAWING NO. SD-838332000	SHEET NO. 1 OF 1	PART REV -
		THIS DRAWING CONTAINS INFORMATION THAT IS PROPRIETARY TO ULTI-MATE INCORPORATED AND SHOULD NOT BE USED WITHOUT WRITTEN PERMISSION.				