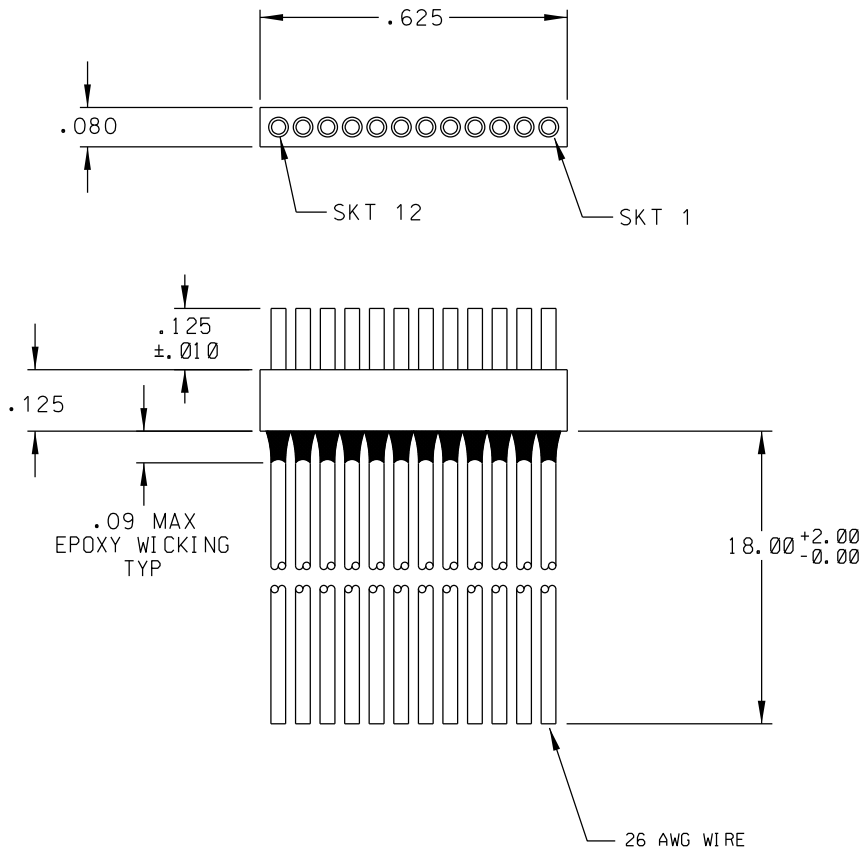


PART REV	DWG ISSUE	DATE	ECN NO.	APPVD BY	REL BY
-	-	7-31-13	UMI 5056		

COLOR CODE

1	BLK
2	BRN
3	RED
4	ORG
5	YEL
6	GRN
7	BLU
8	VIO
9	GRY
10	WHT
11	W/BLK
12	W/BRN



2 MATERIALS:
 INSULATOR: PPS PER MIL-M-24519 GST-40F, COLOR: BLACK
 SOCKET CONTACTS: C21000 COPPER ALLOY PER ASTM B36,
 GOLD PLATED PER ASTM B488
 WIRE: 26 AWG TYPE 'E' WIRE PER NEMA HP3-EXBDB
 1. MARKING: UMI, DATE CODE, UMI P/N AS SPACE PERMITS.

NOTES: UNLESS OTHERWISE SPECIFIED.

QUALITY SYMBOLS CRITICAL MAJOR NO SYMBOL MINOR DIMENSION	UNLESS SPECIFIED: ALL DIMENSIONS IN INCHES	SCALE 4 : 1	DWG SIZE B	THIRD ANGLE PROJECTION	REVISE ON CAD ONLY
	GENERAL TOLERANCES: 3 PLACE ±.005 2 PLACE ±.01 ANGULAR ±2°	DRAWN BY & DATE DW 7-31-13	TITLE: STRIP CONNECTOR, SR12SO-26E5-18.0		
	Uti-Mate CAGE CODE 58967	CHECKED BY & DATE SEE ECN	MATERIAL: Uti-Mate Connector Inc.		
		APPROVED BY & DATE SEE ECN	CAD FILENAME SD-837122040.DGN	PART NO. 837122040	DRAWING NO. SD-837122040
THIS DRAWING CONTAINS INFORMATION THAT IS PROPRIETARY TO ULTI-MATE INCORPORATED AND SHOULD NOT BE USED WITHOUT WRITTEN PERMISSION.					