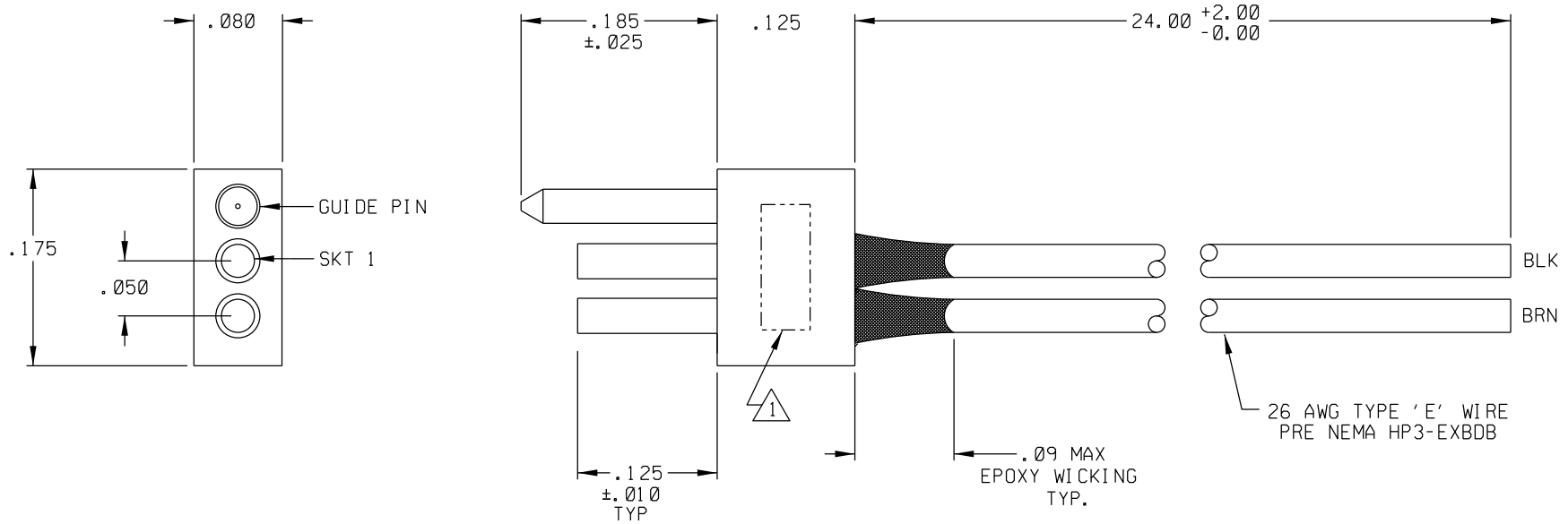


PART REV	DWG ISSUE	DATE	ECN NO.	APPVD BY	REL BY
-	-	7-7-16	UMI 6020	DW	DW



- 2 MATERIALS:
 BODY: PPS PER MIL-M-24519 GST-40F, COLOR: BLACK
 SOCKET CONTACTS: C21000 BRASS ALLOY PER ASTM B36,
 GOLD PLATED PER ASTM B488
 GUIDE PIN: PASSIVATED STAINLESS STEEL
- 1 MARKING: WORK ORDER NUMBER ON PART IF SPACE ALLOWS. BAG AND TAG WITH UMI PART NUMBER AND DATE CODE.

NOTES: UNLESS OTHERWISE SPECIFIED.

QUALITY SYMBOLS CRITICAL SPECIAL KEY	UNLESS SPECIFIED: ALL DIMENSIONS IN INCHES	SCALE NONE	DWG SIZE B	THIRD ANGLE PROJECTION	REVISE ON CAD ONLY	
	GENERAL TOLERANCES: 3 PLACE ±.005 2 PLACE ±.01 ANGULAR ±2°	DRAWN BY & DATE DW 7-7-16	TITLE: 2 POSITION STRIP CONNECTOR, WIRED, W/GUIDE PIN, SR02S1-26E5-24.0			
	ALL EXTERNAL SPECIFICATIONS REFERENCED ON THIS DRAWING SHALL BE TO THE LATEST REVISION IN EFFECT	CHECKED BY & DATE SEE ECN	MATERIAL:			
	Uti-Mate CAGE CODE 58967	APPROVED BY & DATE SEE ECN	CAD FILENAME SD-837022261.DGN	PART NO. 837022261	DRAWING NO. SD-837022261	SHEET NO. 1 OF 1
	THIS DRAWING CONTAINS INFORMATION THAT IS PROPRIETARY TO ULTI-MATE INCORPORATED AND SHOULD NOT BE USED WITHOUT WRITTEN PERMISSION.				PART REV -	