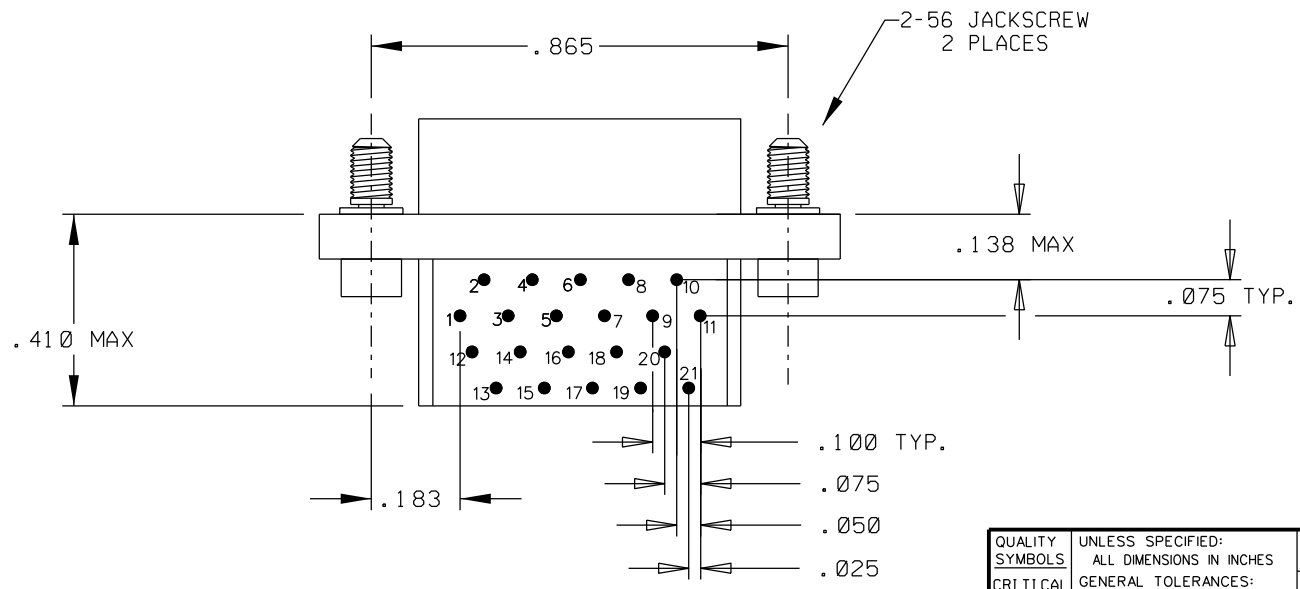
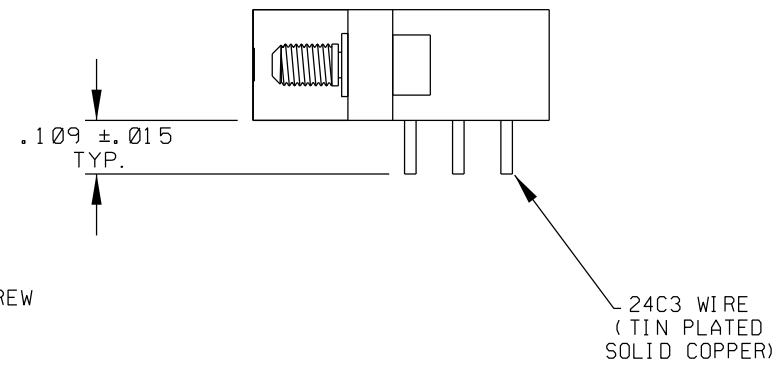
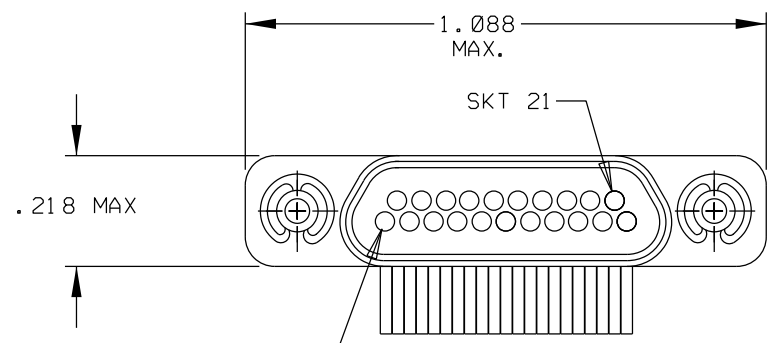


PART REV	DWG ISSUE	DATE	ECN NO.	APPVD BY	REL BY
-	-	1-17-12	UMI 4509	DW	DW



1. MARKING: UMI, DATE CODE, UMIP/N.  
 NOTES: UNLESS OTHERWISE SPECIFIED.

QUALITY SYMBOLS CRITICAL SPECIAL KEY	UNLESS SPECIFIED: ALL DIMENSIONS IN INCHES GENERAL TOLERANCES: 3 PLACE ± .005 2 PLACE ± .01 ANGULAR ± 2°	SCALE NONE DWG SIZE B DRAWN BY & DATE DW 10-7-11 CHECKED BY & DATE SEE ECN APPROVED BY & DATE SEE ECN	THIRD ANGLE PROJECTION REVISE ON CAD ONLY	TITLE: SIZE 21 CIRCUIT RECEPTACLE, CP18R21S02		
	ALL EXTERNAL SPECIFICATIONS REFERENCED ON THIS DRAWING SHALL BE TO THE LATEST REVISION IN EFFECT Uti-Mate CAGE CODE <b>58967</b>	CAD FILENAME SD-836630012.DGN	MATERIAL: Uti-Mate Connector Inc.	PART NO. 836630012	DRAWING NO. SD-836630012	SHEET NO. 1 OF 1
	THIS DRAWING CONTAINS INFORMATION THAT IS PROPRIETARY TO ULTI-MATE INCORPORATED AND SHOULD NOT BE USED WITHOUT WRITTEN PERMISSION.			PART REV -		