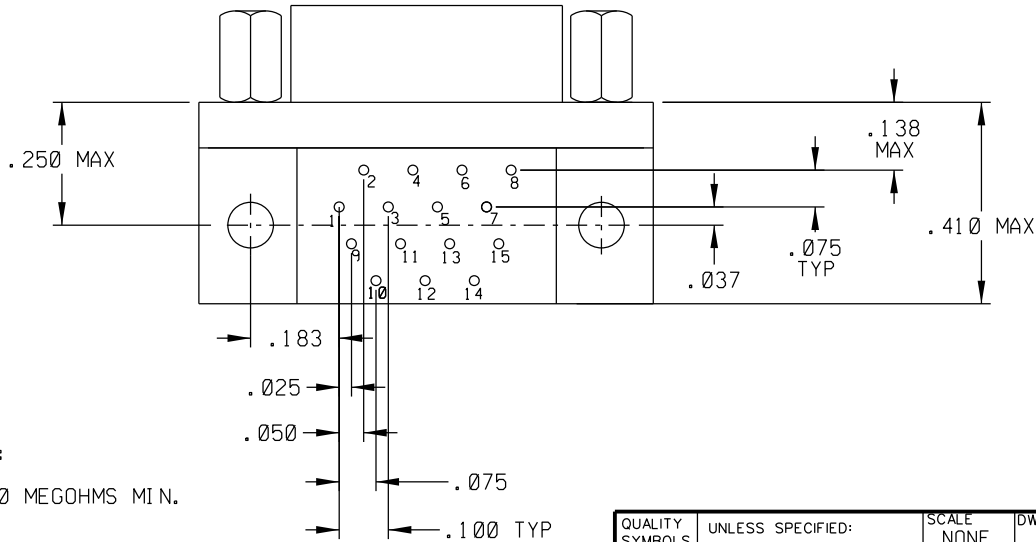
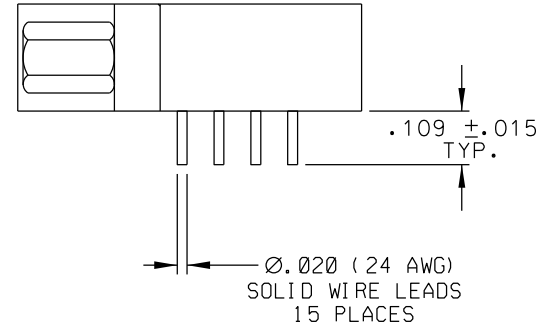
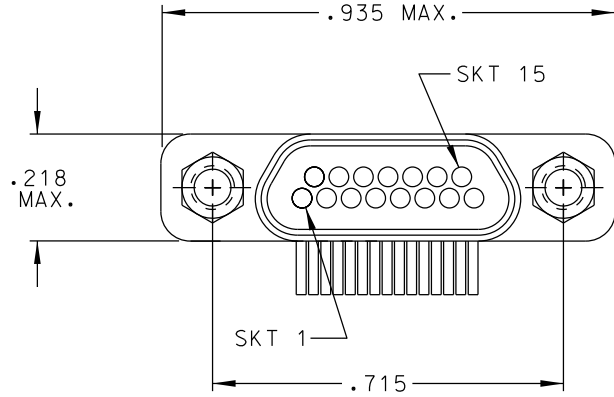


PART REV	DWG ISSUE	DATE	ECN NO.	APPVD BY	REL BY
-	-	8-28-13	UMI 5080	DW	DW



3. PERFORMANCE SPECIFICATIONS:
 CURRENT RATING: 3A MAX
 INSULATION RESISTANCE: 5000 MEGOHMS MIN.
 DWV: 600 VAC
 TEMPERATURE RATING: 125°C
 CONTACT RESISTANCE: 8 MILLIOHMS MAX AT 2.5 AMPS

2. MATERIALS:
 BODY/INSULATOR AND BACKSHELL: PPS PER MIL-M-24519 GST-40F, COLOR: BLACK
 CONTACTS: C21000 COPPER ALLOY PER ASTM B36, GOLD PLATED PER ASTM B488
 24 AWG LEADS: TIN PLATED COPPER PER A-A-59551 TYPE S
 HARDWARE: PASSIVATED 300 SERIES STAINLESS STEEL IAW MIL-DTL-83513/5
 1. MARKING: UMI, UMI P/N, DATE CODE

NOTES: UNLESS OTHERWISE SPECIFIED.

QUALITY SYMBOLS CRITICAL C MAJOR NO SYMBOL MINOR DIMENSION	UNLESS SPECIFIED: ALL DIMENSIONS IN INCHES GENERAL TOLERANCES: 3 PLACE ± .005 2 PLACE ± .01 ANGULAR ± 2°	SCALE: NONE DWG SIZE: B DRAWN BY & DATE: DW 8-28-13 CHECKED BY & DATE: SEE ECN APPROVED BY & DATE: SEE ECN	THIRD ANGLE PROJECTION REVISE ON CAD ONLY	TITLE: CIRCUIT CONNECTOR CP8R15S07	
	Uti-Mate CAGE CODE 58967	CAD FILENAME: SD-836628817.DGN PART NO.: 836628817 DRAWING NO.: SD-836628817	MATERIAL: Uti-Mate Connector Inc.	SHEET NO.: 1 OF 1	PART REV: -
	THIS DRAWING CONTAINS INFORMATION THAT IS PROPRIETARY TO ULTI-MATE INCORPORATED AND SHOULD NOT BE USED WITHOUT WRITTEN PERMISSION.				
	Uti-Mate Connector Inc.				