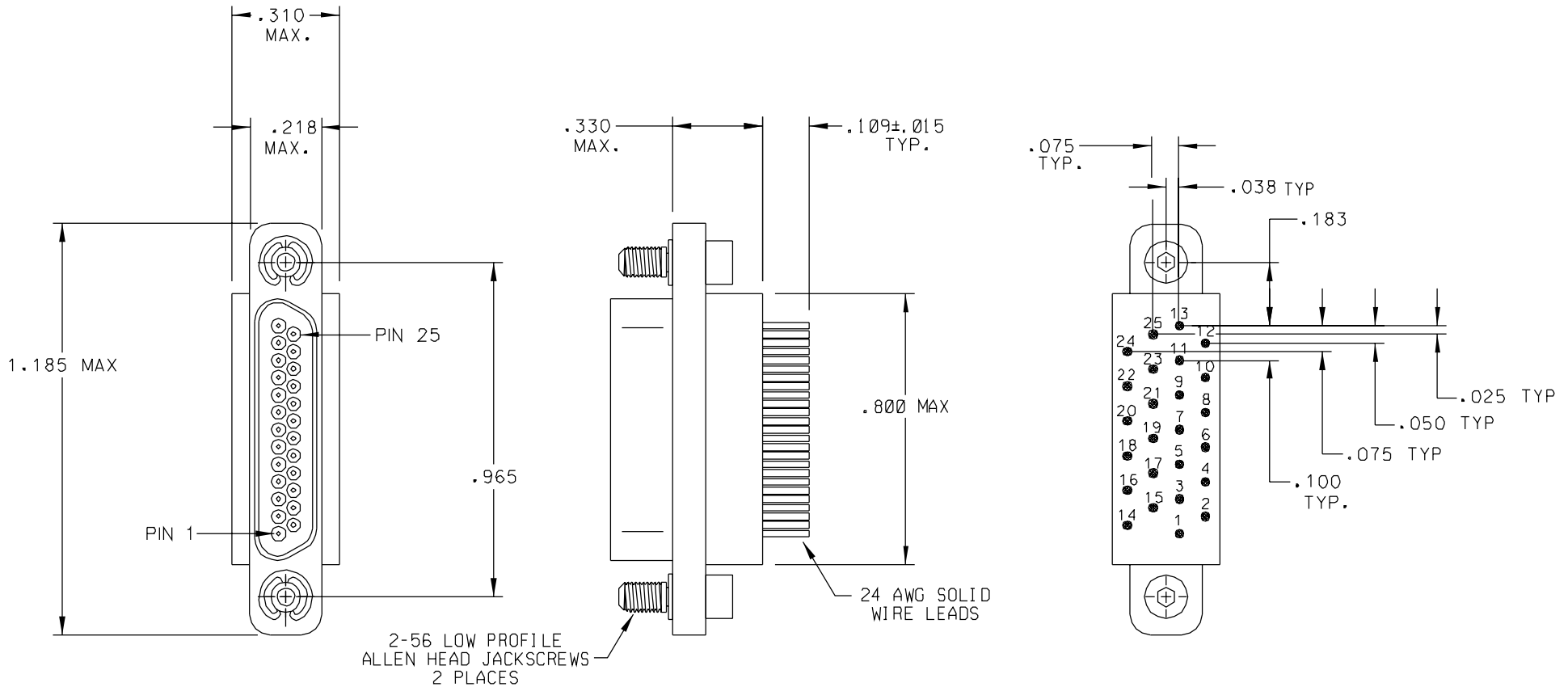


PART REV	DWG ISSUE	DATE	ECN NO.	APPVD BY	REL BY
-	-	6-23-10	UMI 4101		



3. NUMBERS ON BACKSHELL ARE SHOWN FOR REFERENCE ONLY AND DO NOT APPEAR ON PART

- 2 MATERIALS:
 SHELL: 6061-T6 ALUMINUM PER SAE-AMS-00-A200/8, NICKEL PLATED PER AMS 2404
 INSULATOR AND BACKSHELL: PPS PER MIL-M-24519 GST-40F
 PIN CONTACTS: BERYLLIUM COPPER PER ASTM B194, GOLD PLATED PER AMS B488-01
 24 AWG LEADS: TIN PLATED COPPER ALLOY
 HARDWARE: STAINLESS STEEL IAW MIL-DTL-83513, PASSIVATED PER AMS 2700
1. MARKING: "UMI", UMI DATE CODE, UMI P/N.

NOTES: UNLESS OTHERWISE SPECIFIED.

QUALITY SYMBOLS MAJOR CRITICAL SPC	UNLESS SPECIFIED: ALL DIMENSIONS IN INCHES GENERAL TOLERANCES: 3 PLACE $\pm .005$ 2 PLACE $\pm .01$ ANGULAR $\pm 2^\circ$	SCALE: NONE DWG SIZE: B	THIRD ANGLE PROJECTION	REVISE ON CAD ONLY	
	Uti-Mate CAGE CODE 58967	DRAWN BY & DATE: DW 6-23-10 CHECKED BY & DATE: APPROVED BY & DATE:	TITLE: CIRCUIT CONNECTOR, LOW PROFILE SIZE 25 PLUG, STYLE 16, CAP16R25P02-S01		MATERIAL:
CAD FILENAME: SD-836341712.DGN		PART NO.: 836341712	DRAWING NO.: SD-836341712	SHEET NO.: 1 OF 1	
THIS DRAWING CONTAINS INFORMATION THAT IS PROPRIETARY TO ULTI-MATE INCORPORATED AND SHOULD NOT BE USED WITHOUT WRITTEN PERMISSION.					