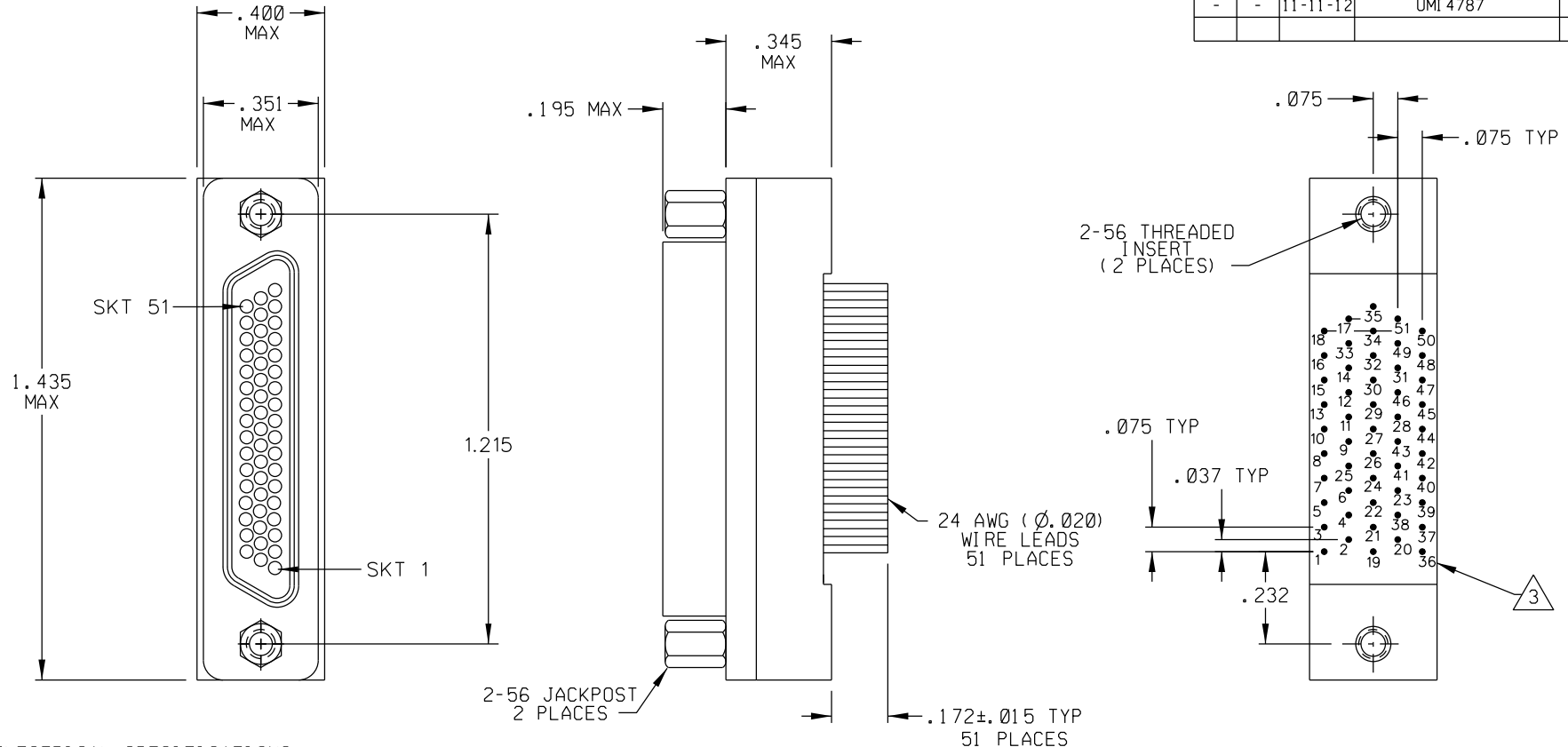


PART REV	DWG ISSUE	DATE	ECN NO.	APPVD BY	REL BY
-	-	11-11-12	UMI 4787		



4. ELECTRICAL SPECIFICATIONS:

- DWV: 600 VAC
- CURRENT RATING: 3 AMPS MAX.
- CONTACT RESISTANCE: 8 MILLIOHMS MAX AT 2.5 AMPS

3 NUMBERS ON BACKSHELL ARE SHOWN FOR REFERENCE ONLY AND DO NOT APPEAR ON PART

- 2 MATERIALS:
- SHELL: 6061-T6 ALUMINUM PER QQ-A200/8 NICKEL PLATED PER AMS 2404
 - INSULATOR AND BACKSHELL: PPS PER MIL-M-24519 GST-40F, COLOR: BLACK
 - SOCKET CONTACTS: C21000 COPPER ALLOY PER ASTM B36, 1/2 HARD GOLD PLATED PER ASTM B488
 - 24 AWG LEADS: TIN PLATED COPPER ALLOY PER A-A-59551 TYPE S
 - HARDWARE: PASSIVATED STAINLESS STEEL IAW MIL-DTL-83513/5
 - INTERFACIAL SEAL: FLUROSILICONE ELASTOMER PER MIL-R-25988

1. MARKING: UMI, DATE CODE, UMI P/N.

NOTES: UNLESS OTHERWISE SPECIFIED.

QUALITY SYMBOLS MAJOR CRITICAL SPC	UNLESS SPECIFIED: ALL DIMENSIONS IN INCHES	SCALE 3 : 1	DWG SIZE B	THIRD ANGLE PROJECTION	REVISE ON CAD ONLY
	GENERAL TOLERANCES: 3 PLACE ±.005 2 PLACE ±.01 ANGULAR ±2°	DRAWN BY & DATE DW 11-11-12		TITLE: CIRCUIT CONNECTOR, CM6R51-3S07T-.172-S01	
	UMI-Mate CAGE CODE 58967	CHECKED BY & DATE SEE ECN		MATERIAL: 2	
		APPROVED BY & DATE SEE ECN		CAD FILENAME SD-836271638.DGN	PART NO. 836271638
	THIS DRAWING CONTAINS INFORMATION THAT IS PROPRIETARY TO ULTI-MATE INCORPORATED AND SHOULD NOT BE USED WITHOUT WRITTEN PERMISSION.				SHEET NO. 1 OF 1 PART REV -