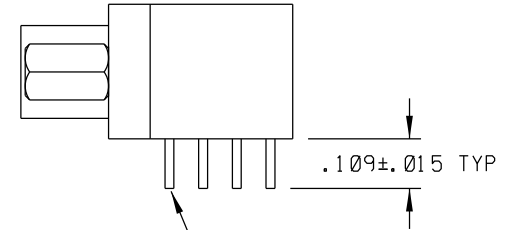
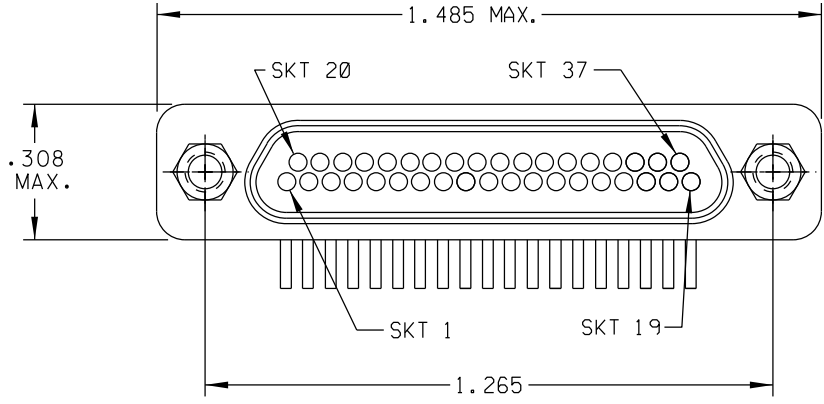
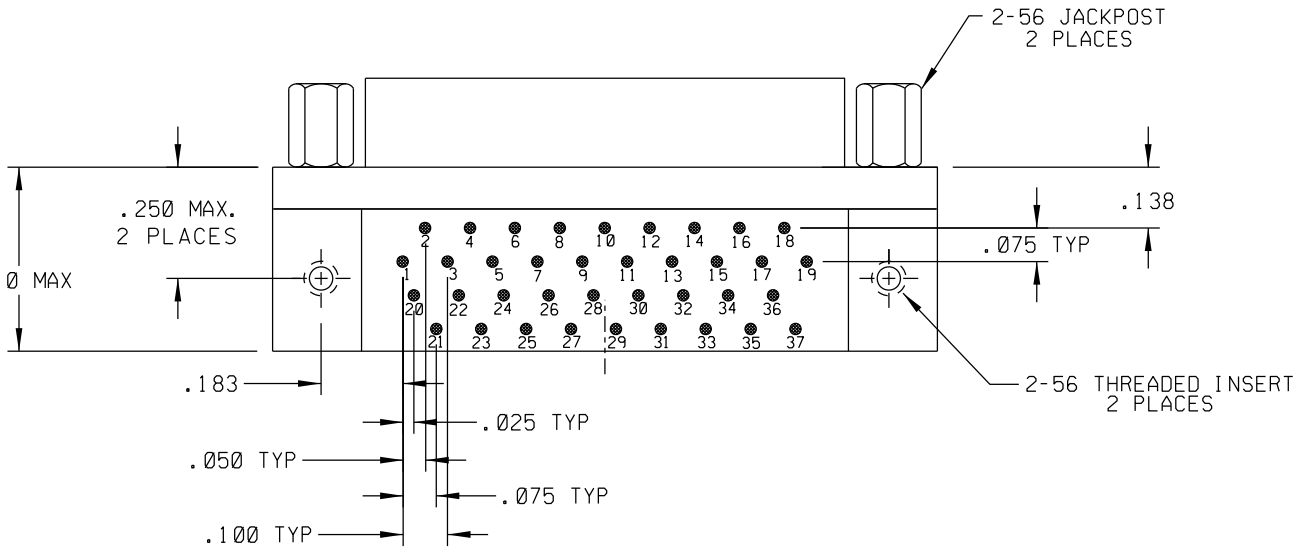


PART REV	DWG ISSUE	DATE	ECN NO.	APPVD BY	REL BY
-	-	10-11-10	UMI 4195	TP	DW

F
E
D
C
B
A



24 AWG SOLID WIRE LEADS
37 PLACES



2-56 JACKPOST
2 PLACES

2-56 THREADED INSERT
2 PLACES

3. NUMBERS SHOWN ON BACKSHELL ARE FOR REFERENCE ONLY AND MAY NOT APPEAR ON PART.

2

MATERIALS:
 SHELL: CADMIUM PLATED 6061-T6 ALUMINUM
 INSULATOR AND BACKSHELL: PPS PER MIL-M-24519 GST-40F
 SOCKET CONTACTS: GOLD PLATED COPPER ALLOY
 24 AWG LEADS: TIN PLATED COPPER ALLOY
 INSERTS: STAINLESS STEEL, PASSIVATED PER QQ-P-35
 INTERFACIAL SEAL: FLUOROSILICONE

1. MARKING: UMI, DATE CODE, UMI P/N.

NOTES: UNLESS OTHERWISE SPECIFIED.

QUALITY SYMBOLS CRITICAL SPECIAL KEY	UNLESS SPECIFIED: ALL DIMENSIONS IN INCHES	SCALE NONE	DWG SIZE B	THIRD ANGLE PROJECTION	REVISE ON CAD ONLY	
	GENERAL TOLERANCES: 3 PLACE ±.005 2 PLACE ±.01 ANGULAR ±2°	DRAWN BY & DATE DW 10-11-10	TITLE: CIRCUIT CONNECTOR, RECEPTACLE, SIZE 37, STYLE 8, W/JACKPOSTS, CM8R37S07T			
	ALL EXTERNAL SPECIFICATIONS REFERENCED ON THIS DRAWING SHALL BE TO THE LATEST REVISION IN EFFECT	CHECKED BY & DATE SEE ECN	MATERIAL: 2			
	Uti-Mate CAGE CODE 58967	APPROVED BY & DATE SEE ECN	CAD FILENAME SD-836260818.DGN	PART NO. 836260818	DRAWING NO. SD-836260818	SHEET NO. 1 OF 1
THIS DRAWING CONTAINS INFORMATION THAT IS PROPRIETARY TO ULTI-MATE INCORPORATED AND SHOULD NOT BE USED WITHOUT WRITTEN PERMISSION.					PART REV -	

Uti-Mate
Connector Inc.