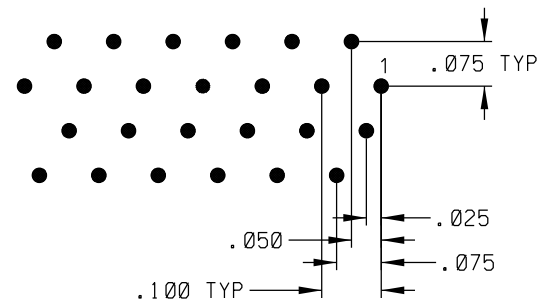
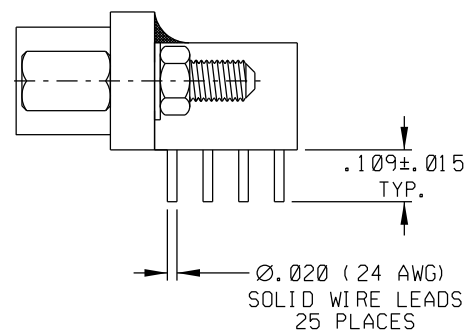
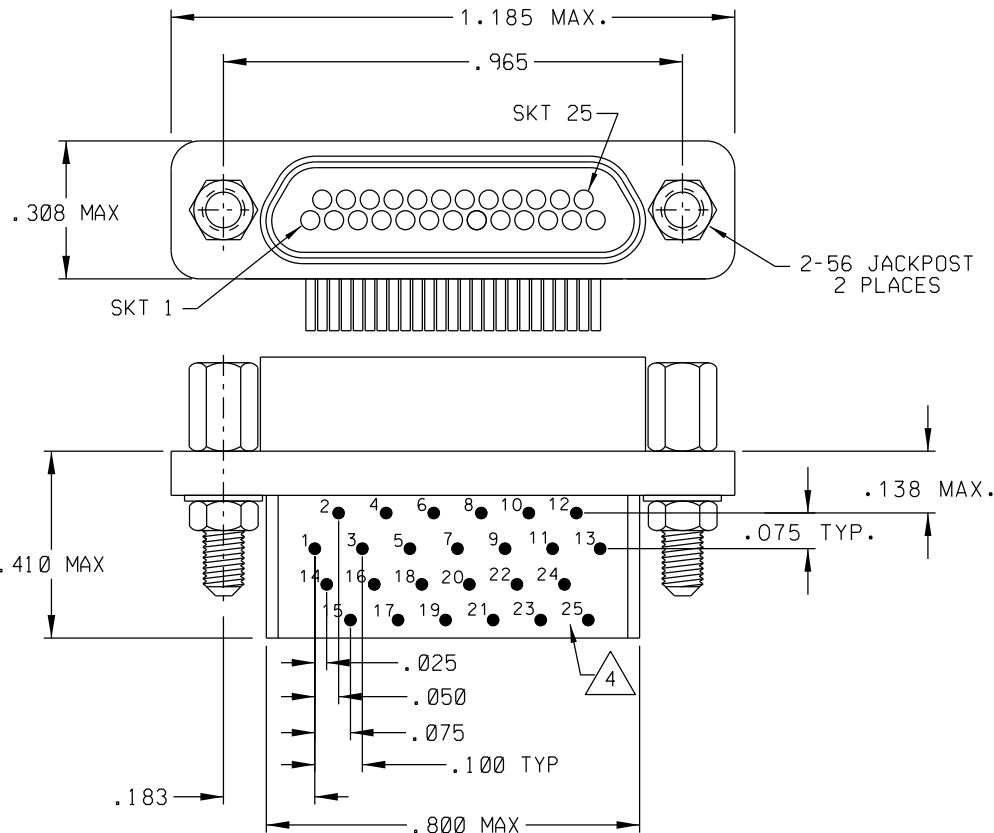


SD-836241 01 7

PART REV	DWG ISSUE	DATE	ECN NO.	APPVD BY	REL BY
-	-	6-21-13	UMI5006		



RECOMMENDED PC BOARD LAYOUT

4 NUMBERS SHOWN ON BACKSHELL ARE FOR REFERENCE ONLY AND DO NOT APPEAR ON PART.

3. PERFORMANCE SPECIFICATIONS:  
CURRENT RATING: 3 AMPS MAX  
INSULATION RESISTANCE: 5000 MEGOHMS MIN.  
Dwv: 600 VAC;  
TEMPERATURE RATING: 125° C  
CONTACT RESISTANCE: 8 MILLIOHMS MAX AT 2.5 AMPS

- 2 MATERIALS:  
SHELL: 6061-T6 ALUMINUM PER AMS-00-A-200/8, NICKEL PLATED PER AMS 2404  
INSULATOR AND BACKSHELL: PPS PER MIL-M-24519 GST-40F, COLOR: BLACK  
SOCKET CONTACTS: C21000 COPPER ALLOY PER ASTM B36, GOLD PLATED PER ASTM B488  
24 AWG LEADS: TIN PLATED COPPER ALLOY PER A-A-59551 TYPE S  
HARDWARE: PASSIVATED STAINLESS STEEL IAW MIL-DTL-8351 3/5  
INTERFACIAL SEAL: FLUOROSILICONE PER MIL-R-25988

1. MARKING: UMI, DATE CODE, UMI P/N.  
NOTES: UNLESS OTHERWISE SPECIFIED.

QUALITY SYMBOLS CRITICAL MAJOR NO SYMBOL - MINOR DIMENSION	UNLESS SPECIFIED: ALL DIMENSIONS IN INCHES	SCALE NONE	DWG SIZE B	THIRD ANGLE PROJECTION	REVISE ON CAD ONLY
	GENERAL TOLERANCES: 3 PLACE ± .005 2 PLACE ± .01 ANGULAR ± 2°	DRAWN BY & DATE DW 6-21-13	TITLE: CIRCUIT CONNECTOR, STYLE 18, SIZE 25, CMI 8R25S07-S01		
	Uti-Mate CAGE CODE <b>58967</b>	CHECKED BY & DATE	MATERIAL: Uti-Mate Connector Inc.		
		APPROVED BY & DATE	CAD FILENAME SD-836241 01 7.DGN	PART NO. 836241 01 7	DRAWING NO. SD-836241 01 7
THIS DRAWING CONTAINS INFORMATION THAT IS PROPRIETARY TO ULTI-MATE INCORPORATED AND SHOULD NOT BE USED WITHOUT WRITTEN PERMISSION.					PART REV -