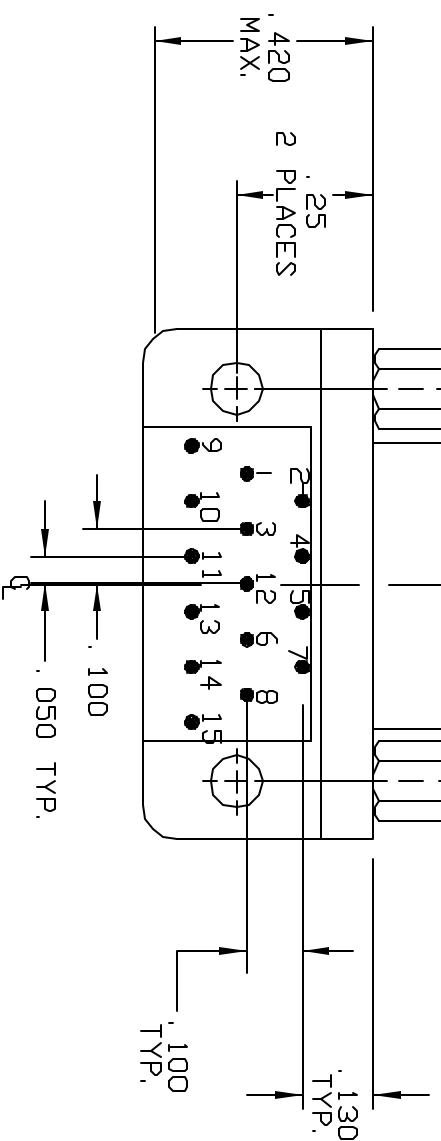
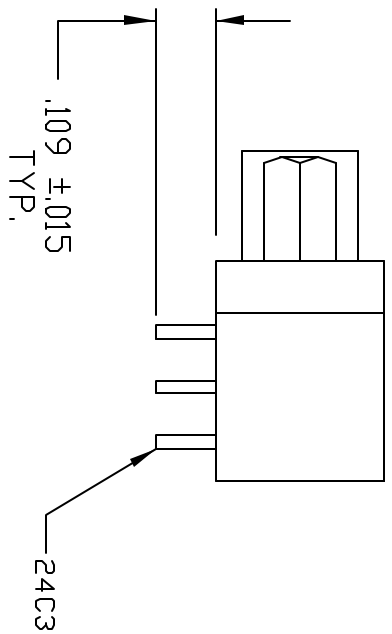
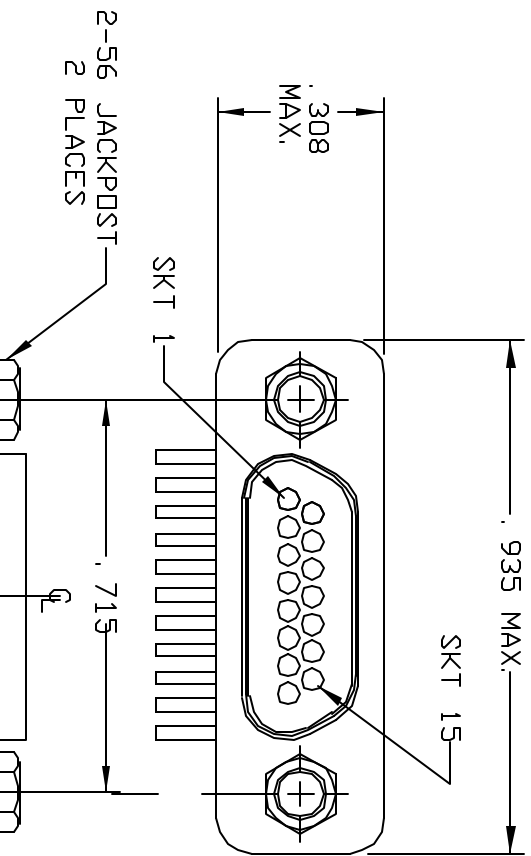


| PART REV | DWG ISSUE | DATE | ECN NO. | APPVD BY | REL BY |
|----------|-----------|---------|---------|----------|--------|
| - | - | 2-10-05 | UMI3121 | | |



1. MARKING: UMI, DATE CODE, UMI P/N.
 NOTES: UNLESS OTHERWISE SPECIFIED.

| | | | | | |
|--|--|----------------------|----------------------------|---|--------------------|
| QUALITY SYMBOLS MAJOR = CRITICAL = SPC = S = | UNLESS SPECIFIED: ALL DIMENSIONS IN INCHES GENERAL TOLERANCES: 3 PLACE ±.005 2 PLACE ±.01 ANGULAR ±2° | SCALE NONE | DWG SIZE A | THIRD ANGLE PROJECTION | REVISE ON CAD ONLY |
| | DRAWN BY & DATE DW 2-10-05 | CHECKED BY & DATE | APPROVED BY & DATE | TITLE: CIRCUIT CONNECTOR, SIZE 15 RECEPTACLE, STYLE 1 BACKSHELL CMR15S07-S01 | MATERIAL: |
| CAD FILENAME Uti-Mate CAGE CODE 58967 | CAD FILENAME SD-83622117.DGN | PART NO. 83622117 | DRAWING NO. SD-83622117 | SHEET NO. 1 OF 1 | REV - |

THIS DRAWING CONTAINS INFORMATION THAT IS PROPRIETARY TO ULTI-MATE INCORPORATED AND SHOULD NOT BE USED WITHOUT WRITTEN PERMISSION.