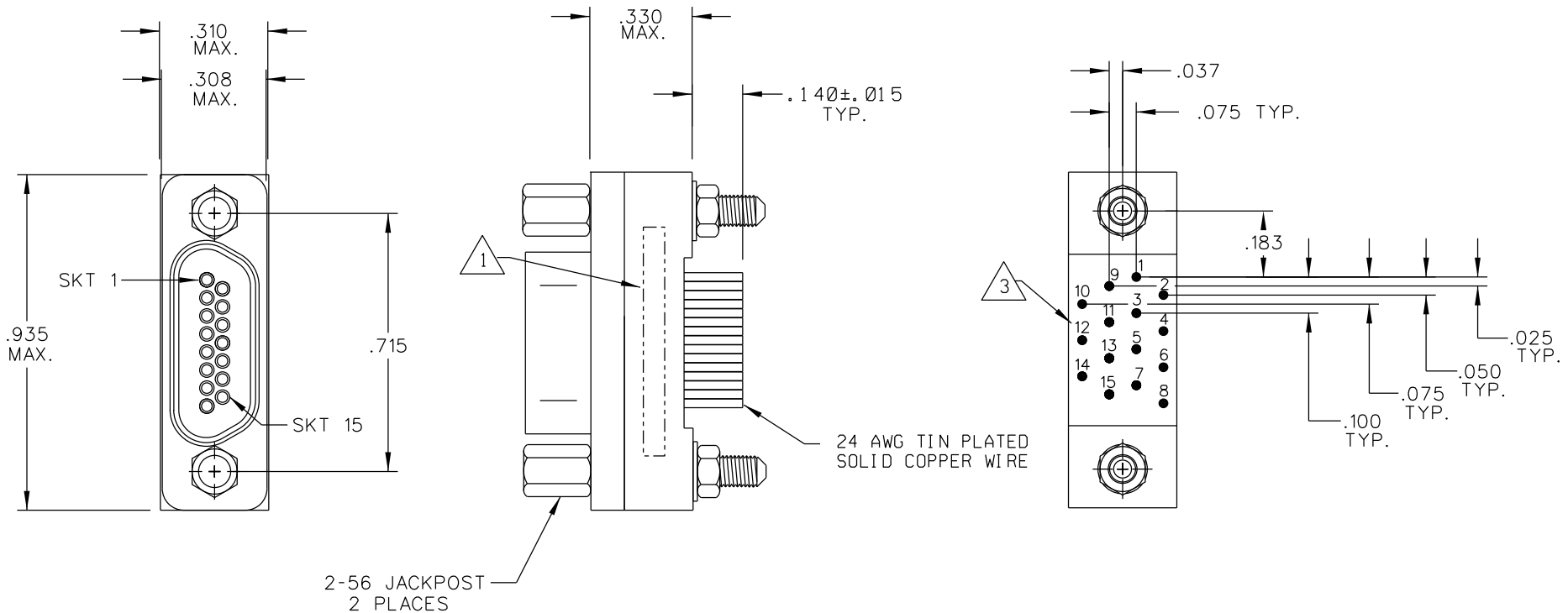


PART REV	DWG ISSUE	DATE	ECN NO.	APPVD BY	REL BY
-	-	10-21-16	UMI 6129	DW	DW



3 NUMBERS ON BACKSHELL ARE SHOWN FOR REFERENCE ONLY AND DO NOT APPEAR ON PART.

2 MATERIALS:
SHELL: 6061-T6 ALUMINUM PER AMS-QQ-A200/8, CAD PLATED PER AMS-QQ-P-416
INSULATOR AND BACKSHELL: PPS PER MIL-M-24519 GST-40F
SOCKET CONTACTS: C21000 COPPER PER ASTM B36, GOLD PLATED PER ASTM B488
24 AWG LEADS: TIN PLATED COPPER ALLOY
HARDWARE: PASSIVATED STAINLESS STEEL IAW MIL-DTL-8351 3/5
INTERFACIAL SEAL: FLUOROSILICONE PER MIL-R-25988

1 MARKING: "UMI", UMI PART NO., DATE CODE, AND WORK ORDER NUMBER.

NOTES: UNLESS OTHERWISE SPECIFIED.

QUALITY SYMBOLS	UNLESS SPECIFIED: ALL DIMENSIONS IN INCHES	SCALE NONE	DWG SIZE B	THIRD ANGLE PROJECTION	REVISE ON CAD ONLY
CRITICAL	GENERAL TOLERANCES: 3 PLACE ± .002 2 PLACE ± .005 ANGULAR ± 2°	DRAWN BY & DATE DW 10-21-16	CHECKED BY & DATE SEE ECN	TITLE: CIRCUIT CONNECTOR, CM6R15S07-.140	
SPECIAL	ALL EXTERNAL SPECIFICATIONS REFERENCED ON THIS DRAWING SHALL BE TO THE LATEST REVISION IN EFFECT	APPROVED BY & DATE SEE ECN	CAD FILENAME SD-836220627.DGN	MATERIAL: 2	Uti-Mate Connector Inc.
KEY	Uti-Mate CAGE CODE 58967	PART NO. 836220627	DRAWING NO. SD-836220627	SHEET NO. 1 OF 1	PART REV -
		THIS DRAWING CONTAINS INFORMATION THAT IS PROPRIETARY TO ULTI-MATE INCORPORATED AND SHOULD NOT BE USED WITHOUT WRITTEN PERMISSION.			