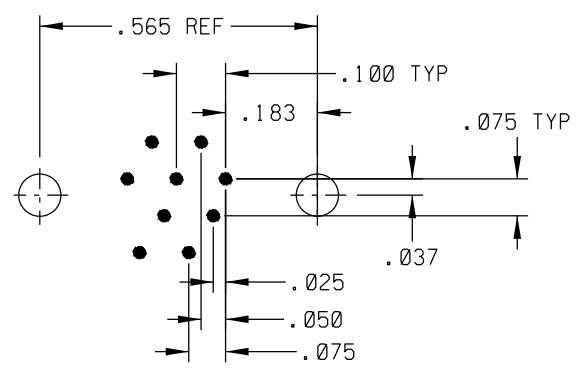
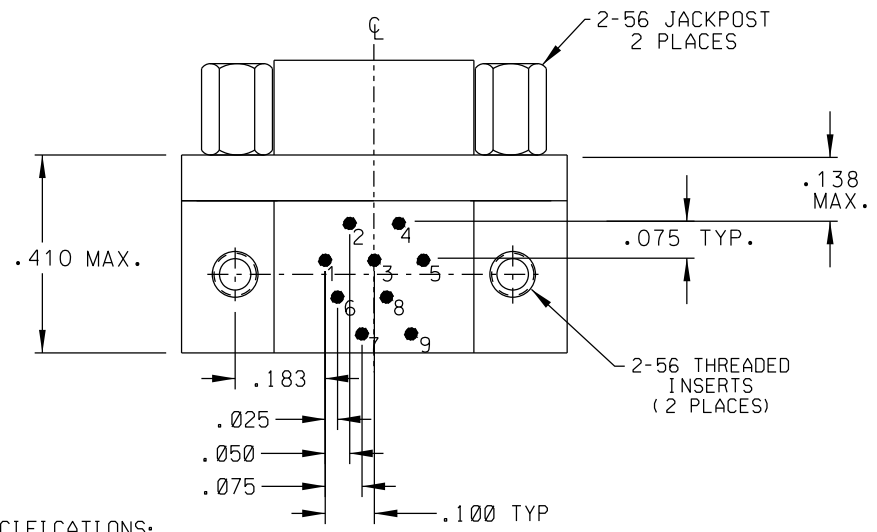
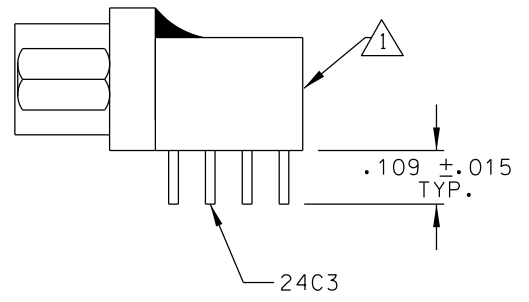
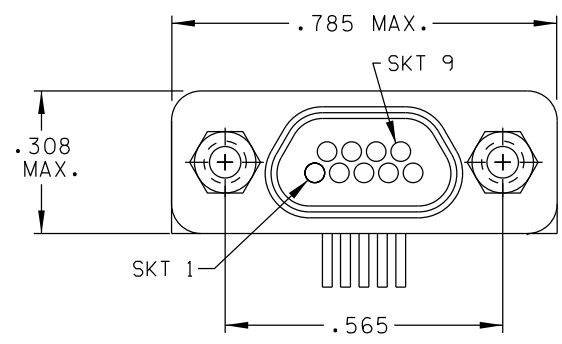


PART REV	DWG ISSUE	DATE	ECN NO.	APPVD BY	REL BY
-	-	1-26-16	UMI 5865	DW	DW



4. PERFORMANCE SPECIFICATIONS:
 CURRENT RATING: 3A MAX
 INSULATION RESISTANCE: 5000 MEGOHMS MIN.
 DWV: 600 VAC
 TEMPERATURE RATING: 125°C
 CONTACT RESISTANCE: 8 MILLIOHMS MAX AT 2.5 AMPS
3. NUMBERS ON BACKSHELL ARE SHOWN FOR REFERENCE ONLY AND DO NOT APPEAR ON PART

2 MATERIALS:
 SHELL: CADMIUM PLATED 6061-T6 ALUMINUM
 INSULATOR AND BACKSHELL: PPS PER MIL-M-24519 GST-40F
 SOCKET CONTACTS: C21000 COPPER ALLOY PER ASTM B36, GOLD PLATED PER ASTM B488.
 24 AWG LEADS: TIN PLATED COPPER ALLOY
 HARDWARE: PASSIVATED STAINLESS STEEL IAW MIL-DTL-83513/5
 INTERFACIAL SEAL: FLUOROSILICONE
 MARKING: UMI, DATE CODE, UMI P/N, AND WORK ORDER NUMBER.

1 NOTES: UNLESS OTHERWISE SPECIFIED.

QUALITY SYMBOLS	UNLESS SPECIFIED: ALL DIMENSIONS IN INCHES	SCALE NONE	DWG SIZE B	THIRD ANGLE PROJECTION	REVISE ON CAD ONLY	
	GENERAL TOLERANCES: 3 PLACE ± .005 2 PLACE ± .01 ANGULAR ± 2°	DRAWN BY & DATE DW 10-23-13		TITLE: CIRCUIT SERIES RECEPTACLE, SIZE 9, STYLE 8 BACKSHELL W/JACKPOSTS, THREADED INSERTS, CM8R09S07T		
CRITICAL	ALL EXTERNAL SPECIFICATIONS REFERENCED ON THIS DRAWING SHALL BE TO THE LATEST REVISION IN EFFECT	CHECKED BY & DATE SEE ECN		MATERIAL: 2		
SPECIAL		APPROVED BY & DATE SEE ECN		Uti-Mate Connector Inc.		
KEY	Uti-Mate CAGE CODE 58967	CAD FILENAME SD-836210818.DGN	PART NO. 836210818	DRAWING NO. SD-836210818	SHEET NO. 1 OF 1	
		THIS DRAWING CONTAINS INFORMATION THAT IS PROPRIETARY TO ULTI-MATE INCORPORATED AND SHOULD NOT BE USED WITHOUT WRITTEN PERMISSION.				PART REV -