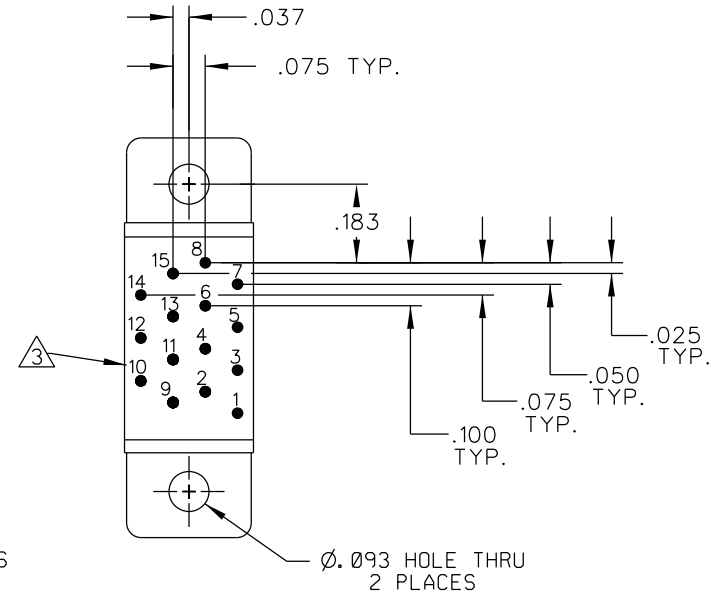
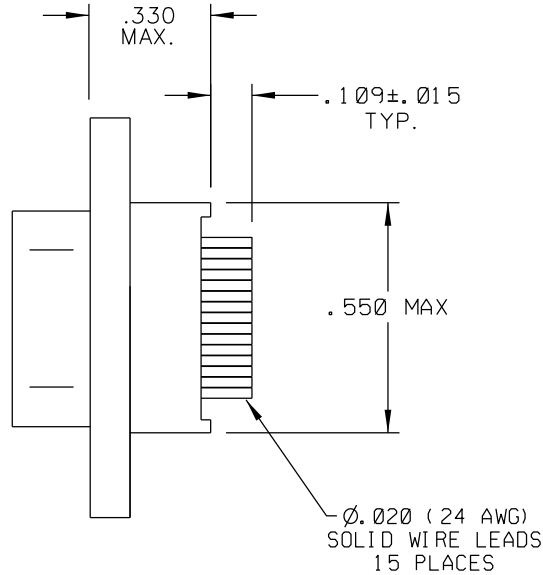
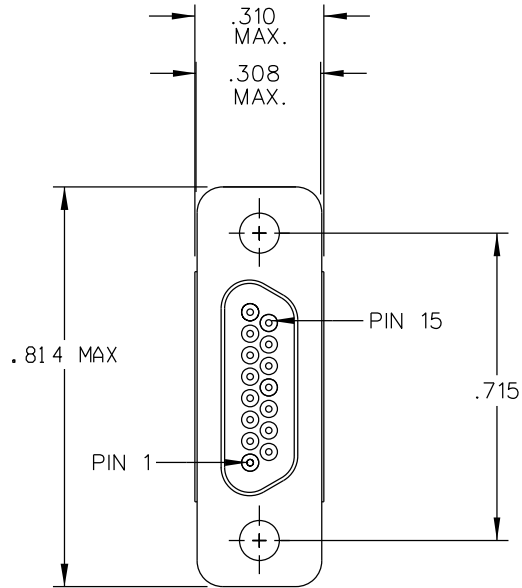


PART REV	DWG ISSUE	DATE	ECN NO.	APPVD BY	REL BY
-	-	5-31-12	UMI 4632		



③ NUMBERS SHOWN ON BACKSHELL ARE FOR REFERENCE ONLY AND DO NOT APPEAR ON PART

② MATERIALS:
 METAL SHELL: 6061-T6 ALUMINUM PER AMS-00-A200/8, CADMIUM PLATED PER AMS-00-P-416
 INSULATOR AND BACKSHELL: PPS PER MIL-M-24519 GST-40F, COLOR: BLACK
 PIN CONTACTS: C17200 BERYLLIUM COPPER PER ASTM A582, GOLD PLATED PER ASTM B488
 24 AWG SOLID WIRE LEADS: TIN PLATED COPPER ALLOY PER A-A-59551 TYPE S
 1. MARKING: "UMI", UMPART NO., AND DATE CODE.

NOTES: UNLESS OTHERWISE SPECIFIED.

QUALITY SYMBOLS MAJOR CRITICAL SPC	UNLESS SPECIFIED: ALL DIMENSIONS IN INCHES	SCALE NONE	DWG SIZE B	THIRD ANGLE PROJECTION	REVISE ON CAD ONLY
	GENERAL TOLERANCES: 3 PLACE ± .005 2 PLACE ± .01 ANGULAR ± 2°	DRAWN BY & DATE DW 5-31-12	TITLE: BOARD MOUNT CONNECTOR, MALE, SIZE 15, STYLE 16 (VERTICAL) BACKSHELL, CMI 6R15P0		
	Uti-Mate CAGE CODE 58967	CHECKED BY & DATE	MATERIAL: Uti-Mate Connector Inc.		
		APPROVED BY & DATE	CAD FILENAME SD-836120710.DGN	PART NO. 836120710	DRAWING NO. SD-836120710
		THIS DRAWING CONTAINS INFORMATION THAT IS PROPRIETARY TO ULTI-MATE INCORPORATED AND SHOULD NOT BE USED WITHOUT WRITTEN PERMISSION.			REV -