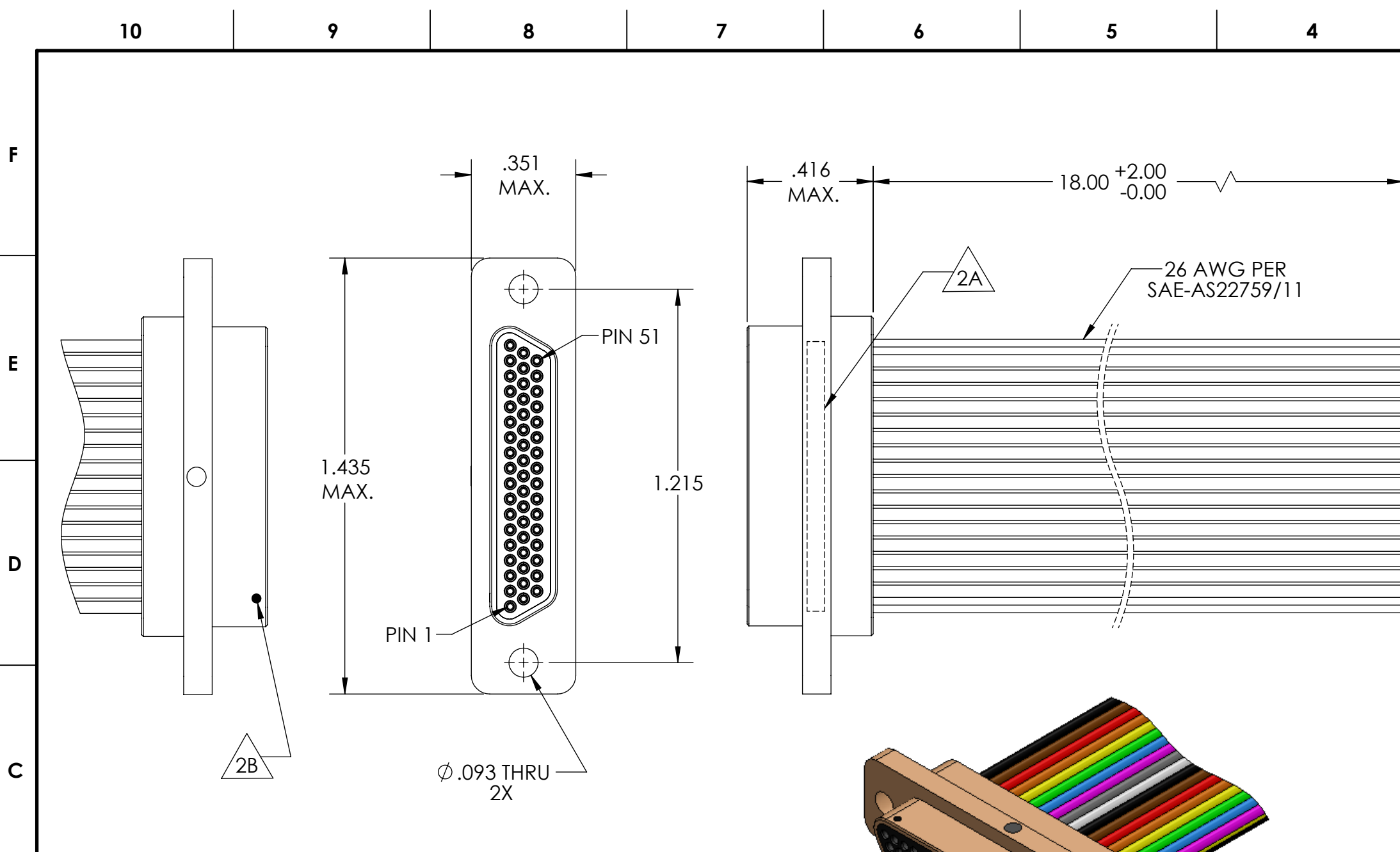
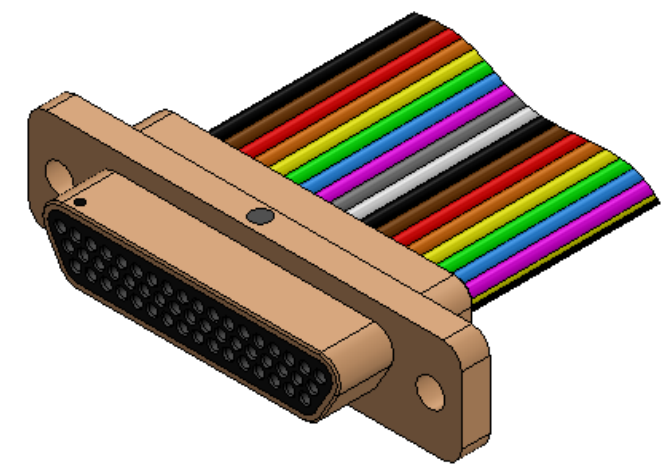


SD-835170030

PART REV	DWG ISSUE	DATE	ECN NO.	APPVD BY	REL BY
-	-	8/15/14	UMI5394	DW	DW



1	BLK	26	GRN
2	BRN	27	BLU
3	RED	28	VIO
4	ORG	29	GRY
5	YEL	30	WHT
6	GRN	31	BLK
7	BLU	32	BRN
8	VIO	33	RED
9	GRY	34	ORG
10	WHT	35	YEL
11	BLK	36	GRN
12	BRN	37	BLU
13	RED	38	VIO
14	ORG	39	GRY
15	YEL	40	WHT
16	GRN	41	BLK
17	BLU	42	BRN
18	VIO	43	RED
19	GRY	44	ORG
20	WHT	45	YEL
21	BLK	46	GRN
22	BRN	47	BLU
23	RED	48	VIO
24	ORG	49	GRY
25	YEL	50	WHT
		51	BLK



4. PERFORMANCE SPECIFICATIONS:
 CURRENT RATING: 3 AMPS MAX.
 INSULATION RESISTANCE: 5000 MEGOHMS MIN.
 DWV: 600 VAC
 TEMPERATURE RATING: 125° C

3 MATERIALS:
 SHELL: 6061-T6 ALUMINUM PER AMS-QQ-A200/8, CADMIUM PLATED PER AMS-QQ-P-416
 INSULATOR: PPS PER MIL-M-24519 GST-40F, COLOR: BLACK
 PIN CONTACTS: C17200 BERYLLIUM COPPER PER ASTM B194, GOLD PLATED PER ASTM B488
 WIRE: 26 AWG PER SAE-AS22759/11-26,
 COLOR CODE: REPEATING 10 COLORS PER MIL-STD-681

2. MARKING: "UMI", DATE CODE, UMI PART NUMBER "M83513/03-G03C"

A DOT INDICATING POSITION 1

1. CONNECTOR ASSEMBLY IS IAW MIL-DTL-83513 UNLESS OTHERWISE SPECIFIED.

NOTES: UNLESS OTHERWISE SPECIFIED.

QUALITY SYMBOLS CRITICAL MAJOR NO SYMBOLS = MINOR DIMENSIONS	UNLESS OTHERWISE SPECIFIED: ALL DIMENSIONS ARE IN INCHES GENERAL TOLERANCES: 3 PLACES ±.005 2 PLACES ±.01 ANGULAR ±2° ULTI-MATE CAGE CODE 58967	SCALE: NONE DWG SIZE: B DRAWN BY & DATE: DU 8/14/14 CHECKED BY & DATE: DW 8/14/14 APPROVED BY & DATE: DW 8/14/14 CAD FILE NAME: SD-835170030.SLDDRW	TITLE: MICRO-D CONNECTOR ASSEMBLY, "MR" SERIES, MIL-DTL-83513/03-G03C MATERIAL: ENG PROJECT #: NONE	THIRD ANGLE PROJECTION REVISE ON CAD ONLY	U-M Connector Inc. SHEET NO. 1 of 1
THIS DRAWING CONTAINS INFORMATION THAT IS PROPRIETARY TO ULTI-MATE INCORPORATED AND SHOULD NOT BE USED WITHOUT WRITTEN PERMISSION.			DRAWING NO. SD-835170030 PART NO. 835170030		PART REV. -