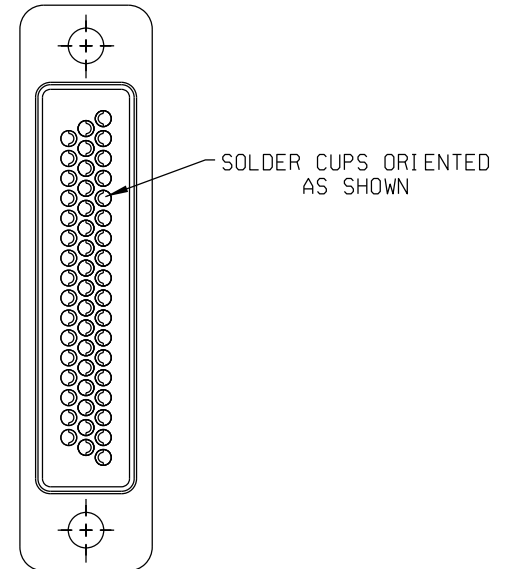
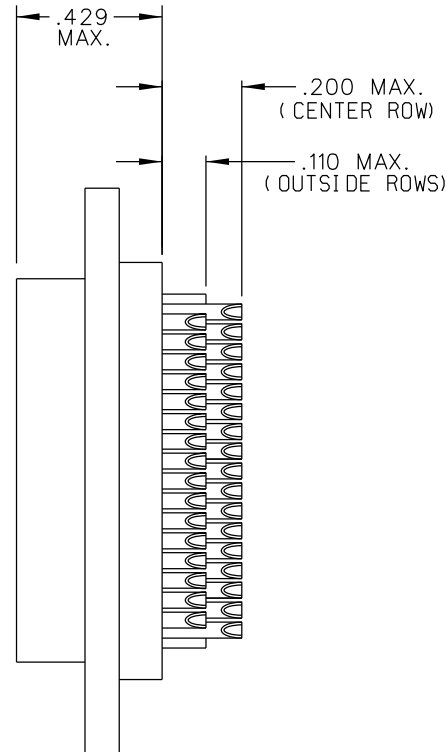
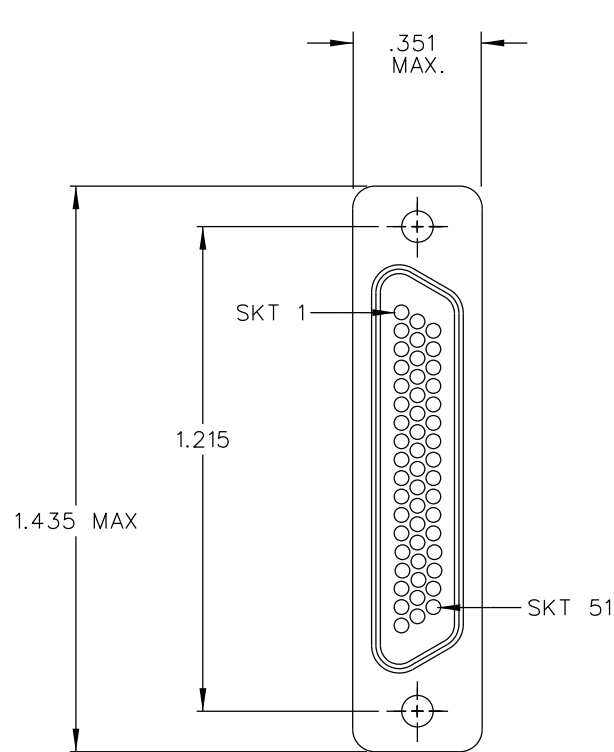


SD-834270000

PART REV	DWG ISSUE	DATE	ECN NO.	APPVD BY	REL BY
-	-	11-10-04	UMI3084	DW	DW



1. MARKING: UMI, DATE CODE, UMI P/N.
 NOTES: UNLESS OTHERWISE SPECIFIED.

QUALITY SYMBOLS CRITICAL MAJOR NO SYMBOL = MINOR DIMENSION	UNLESS SPECIFIED: ALL DIMENSIONS IN INCHES	SCALE NONE DWG SIZE B	THIRD ANGLE PROJECTION 	REVISE ON CAD ONLY		
	GENERAL TOLERANCES: 3 PLACE ±.005 2 PLACE ±.01 ANGULAR ±2°	DRAWN BY & DATE DW 11-10-04	TITLE: CONNECTOR ASSEMBLY, MR51-3T0			
	ALL EXTERNAL SPECIFICATIONS REFERENCED ON THIS DRAWING SHALL BE TO THE LATEST REVISION IN EFFECT	CHECKED BY & DATE SEE ECN	MATERIAL:			
	Ulti-Mate CAGE CODE 58967	APPROVED BY & DATE SEE ECN	CAD FILENAME SD-834270000.DGN	PART NO. 834270000	DRAWING NO. SD-834270000	SHEET NO. 1 OF 1
		THIS DRAWING CONTAINS INFORMATION THAT IS PROPRIETARY TO ULTI-MATE INCORPORATED AND SHOULD NOT BE USED WITHOUT WRITTEN PERMISSION.				
		PART REV -				

Ulti-Mate
Connector Inc.