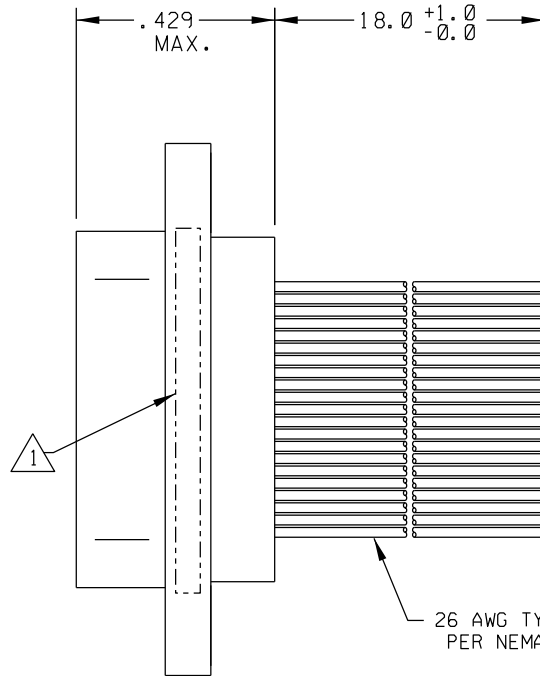
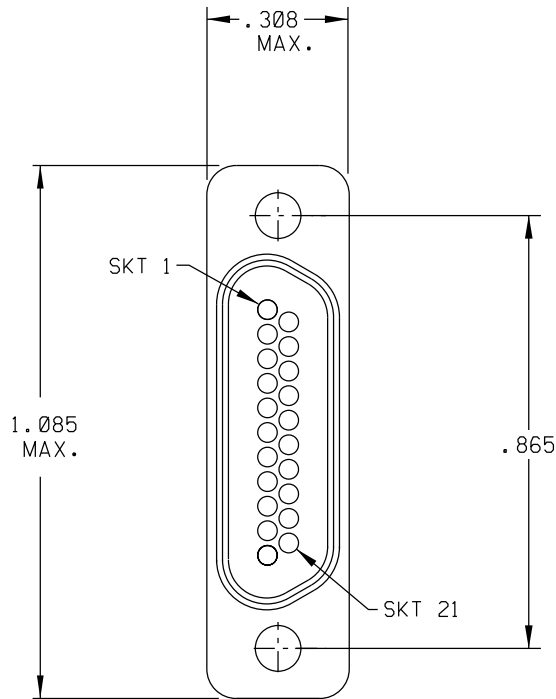


PART REV	DWG ISSUE	DATE	ECN NO.	APPVD BY	REL BY
-	-	9-29-11	UMI 4475	DW	DW



- 1 — BLK
- 2 — BRN
- 3 — RED
- 4 — ORG
- 5 — YEL
- 6 — GRN
- 7 — BLU
- 8 — VIO
- 9 — GRY
- 10 — WHT
- 11 — W/BLK
- 12 — W/BRN
- 13 — W/RED
- 14 — W/ORG
- 15 — W/YEL
- 16 — W/GRN
- 17 — W/BLU
- 18 — W/VIO
- 19 — W/GRY
- 20 — W/BLK/BRN
- 21 — W/BLK/RED

- 2 MATERIALS:  
SHELL: 6061-T6 ALUMINUM PER SAE-AMS-QQ-A200/8, NI PLATED PER AMS 2404  
INSULATOR: PPS PER MIL-M-24519 GST-40F, COLOR: BLACK  
SOCKET CONTACTS: C21000 COPPER ALLOY PER ASTM B36, GOLD PLATED PER ASTM B488  
INTERFACIAL SEAL: FLUOROSILICONE PER MIL-R-25988
- 1 MARKING: UMI, DATE CODE, UMI P/N, ANS WORK ORDER NUMBER

NOTES: UNLESS OTHERWISE SPECIFIED.

QUALITY SYMBOLS CRITICAL SPECIAL KEY	UNLESS SPECIFIED: ALL DIMENSIONS IN INCHES GENERAL TOLERANCES: 3 PLACE ±.005 2 PLACE ±.01 ANGULAR ±2°	SCALE 4 : 1	DWG SIZE B	THIRD ANGLE PROJECTION	REVISE ON CAD ONLY
	ALL EXTERNAL SPECIFICATIONS REFERENCED ON THIS DRAWING SHALL BE TO THE LATEST REVISION IN EFFECT	DRAWN BY & DATE DW 9-29-11	TITLE: MICRO-D RECEPTACLE, SOCKET CONTACTS, SIZE 21, 26 AWG LEADS MR21 S0-26E5-18.0-S01		MATERIAL:
	Uti-Mate CAGE CODE 58967	CHECKED BY & DATE SEE ECN	Uti-Mate Connector Inc.		
	Uti-Mate CAGE CODE 58967	APPROVED BY & DATE SEE ECN	CAD FILENAME SD-834231 070.DGN	PART NO. 834231 070	DRAWING NO. SD-834231 070
THIS DRAWING CONTAINS INFORMATION THAT IS PROPRIETARY TO ULTI-MATE INCORPORATED AND SHOULD NOT BE USED WITHOUT WRITTEN PERMISSION.			Uti-Mate Connector Inc.		PART REV -