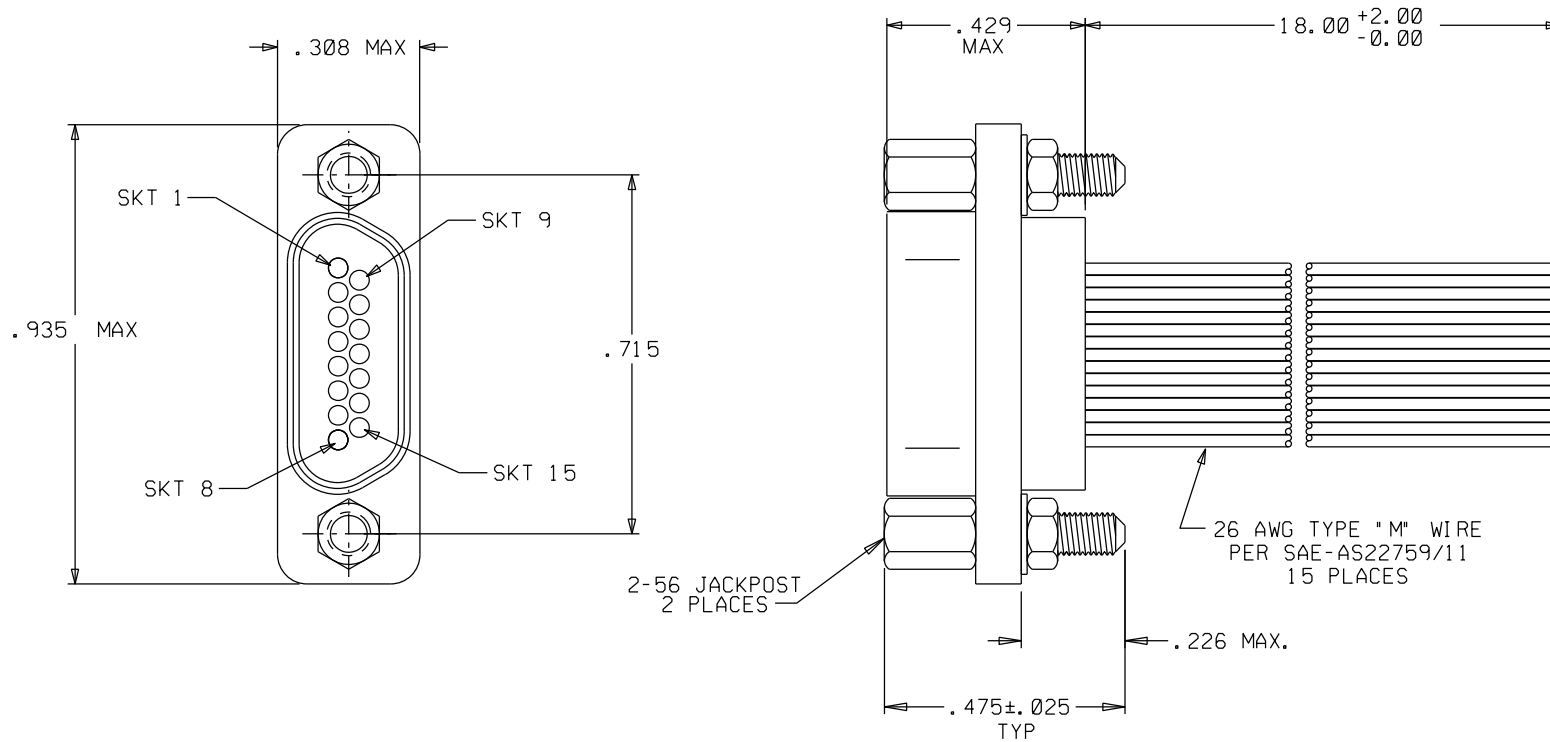


PART REV	DWG ISSUE	DATE	ECN NO.	APPVD BY	REL BY
-	-	10-17-11	UMI 4488	DW	DW



1	BLK
2	BRN
3	RED
4	ORG
5	YEL
6	GRN
7	BLU
8	VIO
9	GRY
10	WHT
11	W/BLK
12	W/BRN
13	W/RED
14	W/ORG
15	W/YEL

- 2 MATERIALS:
 SHELL: 6061-T6 ALUMINUM PER SAE AMS-QQ-A200/8,
 CADMIUM PLATED PER AMS-QQ-P-416
 INSULATOR: PPS PER MIL-M-24519 GST-40F, COLOR: BLACK
 SOCKET CONTACT: C21000 COPPER ALLOY PER ASTM B36,
 GOLD PLATED PER ASTM B488
 HARDWARE: PASSIVATED STAINLESS STEEL IAW MIL-DTL-83513/5
 INTERFACIAL SEAL: FLUOROSILICONE PER MIL-R-25988

1. MARKINGS: "UMI", UMI DATE CODE, AND UMI PART NUMBER.

NOTES: UNLESS OTHERWISE SPECIFIED.

QUALITY SYMBOLS CRITICAL SPECIAL KEY	UNLESS SPECIFIED: ALL DIMENSIONS IN INCHES GENERAL TOLERANCES: 3 PLACE ± .005 2 PLACE ± .01 ANGULAR ± 2°	SCALE 4:1	DWG SIZE B	THIRD ANGLE PROJECTION	REVISE ON CAD ONLY
	ALL EXTERNAL SPECIFICATIONS REFERENCED ON THIS DRAWING SHALL BE TO THE LATEST REVISION IN EFFECT	DRAWN BY & DATE DW 10-17-11	TITLE: RECEPTACLE ASSEMBLY, 15 POSITION, 26 AWG 18" LEADS, MR15S07-26M5-18.0		MATERIAL: 2 Uti-Mate Connector Inc.
	Uti-Mate CAGE CODE 58967	CHECKED BY & DATE SEE ECN	APPROVED BY & DATE SEE ECN	PART NO. SD-834220187	
	Uti-Mate CAGE CODE 58967	CAD FILENAME SD-834220187.DGN	PART NO. 834220187	DRAWING NO. SD-834220187	SHEET NO. 1 OF 1

THIS DRAWING CONTAINS INFORMATION THAT IS PROPRIETARY TO ULTI-MATE INCORPORATED AND SHOULD NOT BE USED WITHOUT WRITTEN PERMISSION.