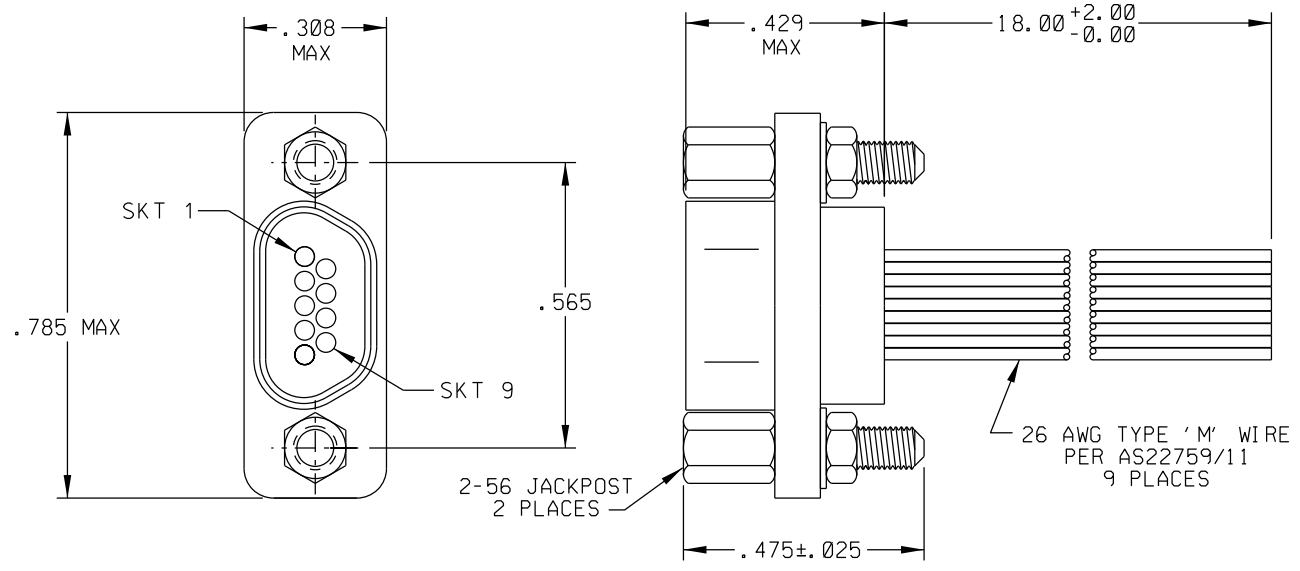


PART REV	DWG ISSUE	DATE	ECN NO.	APPVD BY	REL BY
-	-	10-17-11	UMI 4488	DW	DW



- 1 — BLK
- 2 — BRN
- 3 — RED
- 4 — ORG
- 5 — YEL
- 6 — GRN
- 7 — BLU
- 8 — VIO
- 9 — GRY

26 AWG TYPE 'M' WIRE
PER AS22759/11
9 PLACES

2-56 JACKPOST
2 PLACES

MATERIALS:
 SHELL: 6061-T6 ALUMINUM PER SAE-AMS-QQ-A200/8,
 CADMIUM PLATED PER AMS-QQ-P-416
 SOCKET CONTACTS: C26000 BRASS ALLOY PER ASTM B36,
 GOLD PLATED PER ASTM B488
 INSULATOR: PPS PER MIL-M-24519 GST-40F. COLOR: BLACK
 HARDWARE: PASSIVATED STAINLESS STEEL IAW MIL-DTL-83513
 INTERFACIAL SEAL: FLOUROSILICONE PER MIL-R-25988
 1. MARKING: UMI, DATE CODE, UMI P/N.

NOTES: UNLESS OTHERWISE SPECIFIED.

QUALITY SYMBOLS CRITICAL MAJOR NO SYMBOL = MINOR DIMENSION	UNLESS SPECIFIED: ALL DIMENSIONS IN INCHES GENERAL TOLERANCES: 3 PLACE ± .005 2 PLACE ± .01 ANGULAR ± 2°	SCALE 4:1	DWG SIZE B	THIRD ANGLE PROJECTION	REVISE ON CAD ONLY	
	ALL EXTERNAL SPECIFICATIONS REFERENCED ON THIS DRAWING SHALL BE TO THE LATEST REVISION IN EFFECT Ulti-Mate CAGE CODE 58967	DRAWN BY & DATE DW 10-18-11 CHECKED BY & DATE SEE ECN APPROVED BY & DATE SEE ECN	TITLE: MICRO-D RECEPTACLE, SIZE 9, MR09S07-26M5-18.0		MATERIAL: 2	Ulti-Mate Connector Inc.
	CAD FILENAME SD-834210187.DGN	PART NO. 834210187	DRAWING NO. SD-834210187	SHEET NO. 1 OF 1	THIS DRAWING CONTAINS INFORMATION THAT IS PROPRIETARY TO ULTI-MATE INCORPORATED AND SHOULD NOT BE USED WITHOUT WRITTEN PERMISSION.	