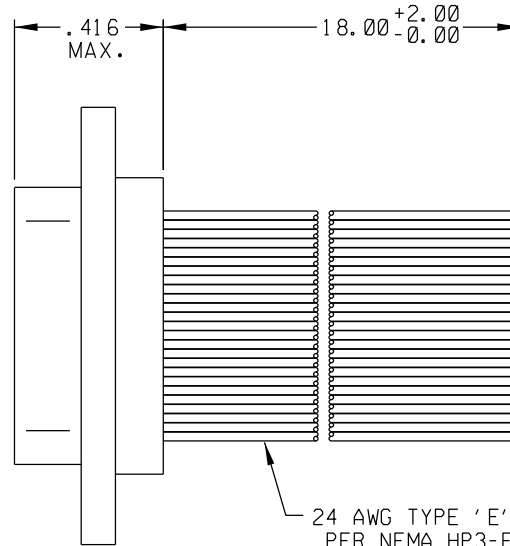
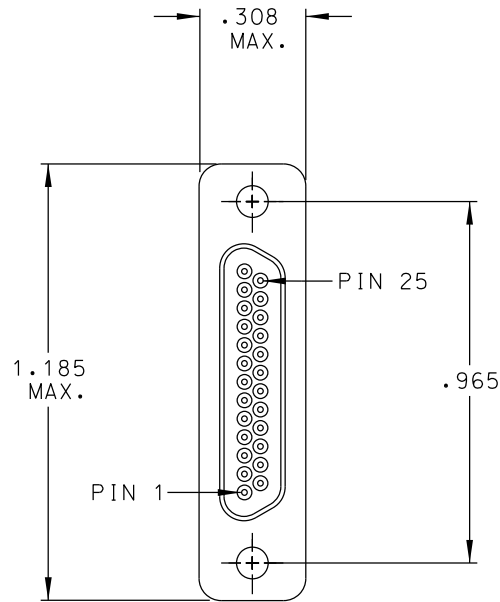


PART REV	DWG ISSUE	DATE	ECN NO.	APPVD BY	REL BY
-	-	5-24-13	UMI 4976		



1	BLK
2	BRN
3	RED
4	ORG
5	YEL
6	GRN
7	BLU
8	VIO
9	GRY
10	WHT
11	W/BLK
12	W/BRN
13	W/RED
14	W/ORG
15	W/YEL
16	W/GRN
17	W/BLU
18	W/VIO
19	W/GRY
20	W/BLK/BRN
21	W/BLK/RED
22	W/BLK/ORG
23	W/BLK/YEL
24	W/BLK/GRN
25	W/BLK/BLU

3. PERFORMANCE SPECIFICATIONS:
 CURRENT RATING: 3 AMPS MAX
 INSULATION RESISTANCE: 5000 MEGOHMS MIN.
 DWV: 600 VAC;
 TEMPERATURE RATING: 125°C
 CONTACT RESISTANCE: 8 MILLIOHMS MAX AT 2.5 AMPS

2 MATERIALS:
 SHELL: 6061-T6 ALUMINUM PER AMS-QQ-A200/8, NICKEL PLATED PER AMS 2404
 INSULATOR: PPS PER MIL-M-24519 GST-40F, COLOR: BLACK
 PIN CONTACTS: C17200 BERYLLIUM COPPER PER ASTM B194,
 GOLD PLATED PER ASTM B488

1. MARKING: UMI, DATE CODE, UMI P/N.

NOTES: UNLESS OTHERWISE SPECIFIED.

QUALITY SYMBOLS CRITICAL MAJOR NO SYMBOL MINOR DIMENSION	UNLESS SPECIFIED: ALL DIMENSIONS IN INCHES	SCALE NONE	DWG SIZE B	THIRD ANGLE PROJECTION	REVISE ON CAD ONLY
	GENERAL TOLERANCES: 3 PLACE ± .005 2 PLACE ± .01 ANGULAR ± 2°	DRAWN BY & DATE DW 5-24-13		TITLE: MICRO-D PLUG, 25 PIN, 24 AWG TYPE 'E' WIRE LEADS, MR25P0-24E5-18.0-S01	
	Uti-Mate CAGE CODE 58967	CHECKED BY & DATE		MATERIAL: 2	
		APPROVED BY & DATE	CAD FILENAME SD-8341 41 240.DGN	PART NO. 8341 41 240	DRAWING NO. SD-8341 41 240
THIS DRAWING CONTAINS INFORMATION THAT IS PROPRIETARY TO ULTI-MATE INCORPORATED AND SHOULD NOT BE USED WITHOUT WRITTEN PERMISSION.					
					PART REV -

Uti-Mate
Connector Inc.