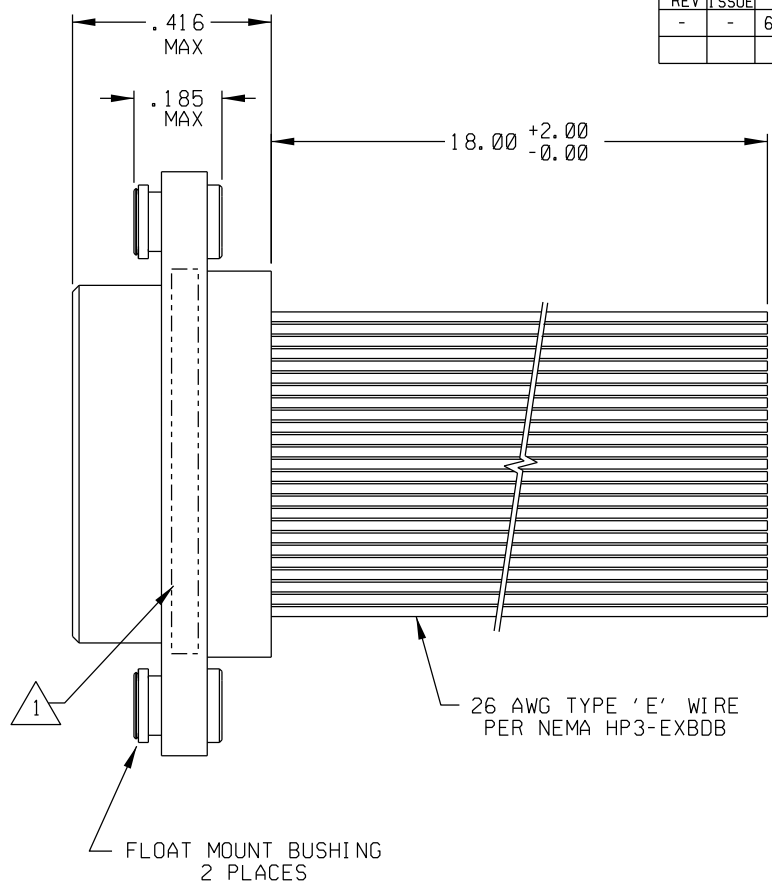
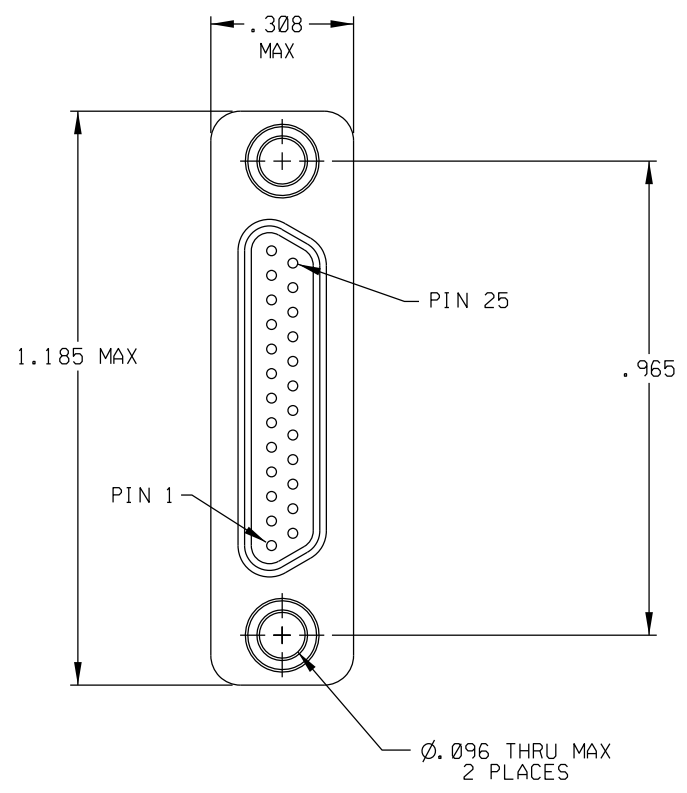


PART REV	DWG ISSUE	DATE	ECN NO.	APPVD BY	REL BY
-	-	6-11-14	UMI 5342	DW	DW



1	BLK
2	BRN
3	RED
4	ORG
5	YEL
6	GRN
7	BLU
8	VIO
9	GRY
10	WHT
11	W/BLK
12	W/BRN
13	W/RED
14	W/ORG
15	W/YEL
16	W/GRN
17	W/BLU
18	W/VIO
19	W/GRY
20	W/BLK/BRN
21	W/BLK/RED
22	W/BLK/ORG
23	W/BLK/YEL
24	W/BLK/GRN
25	W/BLK/BLU

3. PERFORMANCE SPECIFICATIONS:
 CURRENT RATING: 3 AMPS MAX.
 INSULATION RESISTANCE: 5000 MEGOHMS MIN.
 DWV: 600 VAC;
 TEMPERATURE RATING: 125°C

- 2 MATERIALS:
 SHELL: 6061-T6 ALUMINUM PER QQ-A200/8 NICKEL PLATED PER AMS 2404
 INSULATOR: PPS PER MIL-M-24519 GST-40F
 PIN CONTACTS: C17200 BERYLLIUM COPPER PER ASTM B194, GOLD PLATED PER ASTM B488
- 1 FLOAT MOUNT BUSHINGS: 300 SERIES STAINLESS STEEL, PASSIVATED PER AMS 2700
- MARKING: UMI, UMI DATE CODE, AND UMI PART NUMBER

NOTES: UNLESS OTHERWISE SPECIFIED

QUALITY SYMBOLS CRITICAL (C) SPECIAL (S) KEY (K)	UNLESS SPECIFIED: ALL DIMENSIONS IN INCHES GENERAL TOLERANCES: 3 PLACE ±.005 2 PLACE ±.01 ANGULAR ±2°	SCALE 4:1 DWG SIZE B	THIRD ANGLE PROJECTION	REVISE ON CAD ONLY		
	ALL EXTERNAL SPECIFICATIONS REFERENCED ON THIS DRAWING SHALL BE TO THE LATEST REVISION IN EFFECT Ulti-Mate CAGE CODE 58967	DRAWN BY & DATE DW 6-11-14 CHECKED BY & DATE SEE ECN APPROVED BY & DATE SEE ECN	TITLE: MICRO-D PLUG, SIZE 25, 26 AWG LEADS, 18" MR25P0-26E5-18.0-S01-F01		MATERIAL: 2	
		CAD FILENAME SD-8341 41071.DGN	PART NO. 8341 41071	DRAWING NO. SD-8341 41071	SHEET NO. 1 OF 1	
		THIS DRAWING CONTAINS INFORMATION THAT IS PROPRIETARY TO ULTI-MATE INCORPORATED AND SHOULD NOT BE USED WITHOUT WRITTEN PERMISSION.				PART REV -

