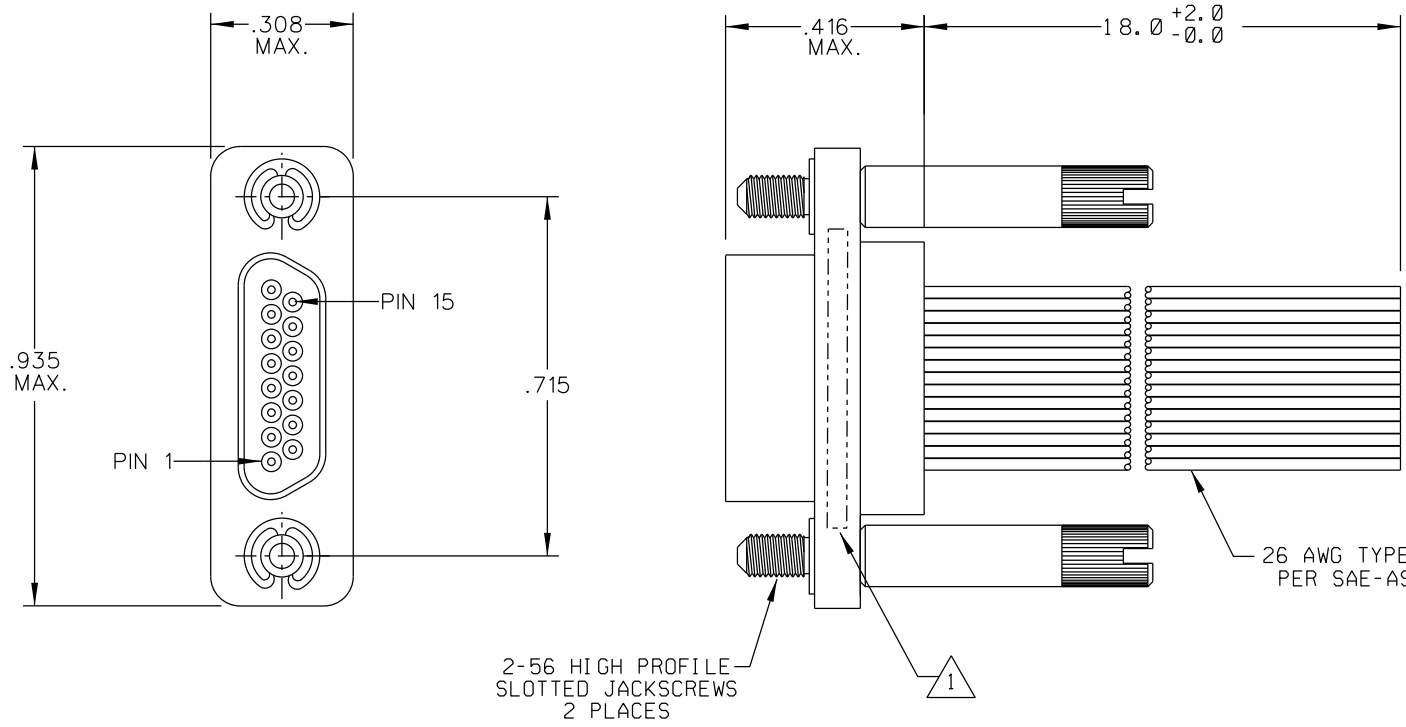


PART REV	DWG ISSUE	DATE	ECN NO.	APPVD BY	REL BY
-	-	9-2-14	UMI 5408	DW	DW



3. PERFORMANCE SPECIFICATIONS:
 CURRENT RATING: 3 AMPS MAX.
 INSULATION RESISTANCE: 5000 MEGOHMS MIN.
 DWV: 600 VAC;
 TEMPERATURE RATING: 125°C

2 MATERIALS:
 SHELL: 6061-T6 OR 6061-T651 ALUMINUM PER SAE-AMS-QQ-A200/8,
 NICKEL PLATED PER AMS 2404
 INSULATOR: PPS PER MIL-M-24519 GST-40F, COLOR: BLACK
 PIN CONTACTS: C17200 BERYLLIUM COPPER PER ASTM B194,
 GOLD PLATED PER ASTM B488
 1 HARDWARE: PASSIVATED STAINLESS STEEL IAW MIL-DTL-83513/05
 MARKING: "UMI", UMI DATE CODE, AND UMI PART NUMBER

NOTES: UNLESS OTHERWISE SPECIFIED.

QUALITY SYMBOLS CRITICAL (C) SPECIAL (S) KEY (K)	UNLESS SPECIFIED: ALL DIMENSIONS IN INCHES GENERAL TOLERANCES: 3 PLACE ±.005 2 PLACE ±.01 ANGULAR ±2°	SCALE 4 : 1 DWG SIZE B	THIRD ANGLE PROJECTION	REVISE ON CAD ONLY		
	ALL EXTERNAL SPECIFICATIONS REFERENCED ON THIS DRAWING SHALL BE TO THE LATEST REVISION IN EFFECT Uti-Mate CAGE CODE 58967	DRAWN BY & DATE DW 9-2-14	TITLE: MICRO-D PLUG, SIZE 15, 26 AWG LEADS, MR15P06-26M6-18.0-S01		MATERIAL: 2	
		APPROVED BY & DATE SEE ECN	CAD FILENAME SD-8341 21 206, DGN	PART NO. 8341 21 206	DRAWING NO. SD-8341 21 206	SHEET NO. 1 OF 1
	THIS DRAWING CONTAINS INFORMATION THAT IS PROPRIETARY TO ULTI-MATE INCORPORATED AND SHOULD NOT BE USED WITHOUT WRITTEN PERMISSION.			Uti-Mate Connector Inc.		