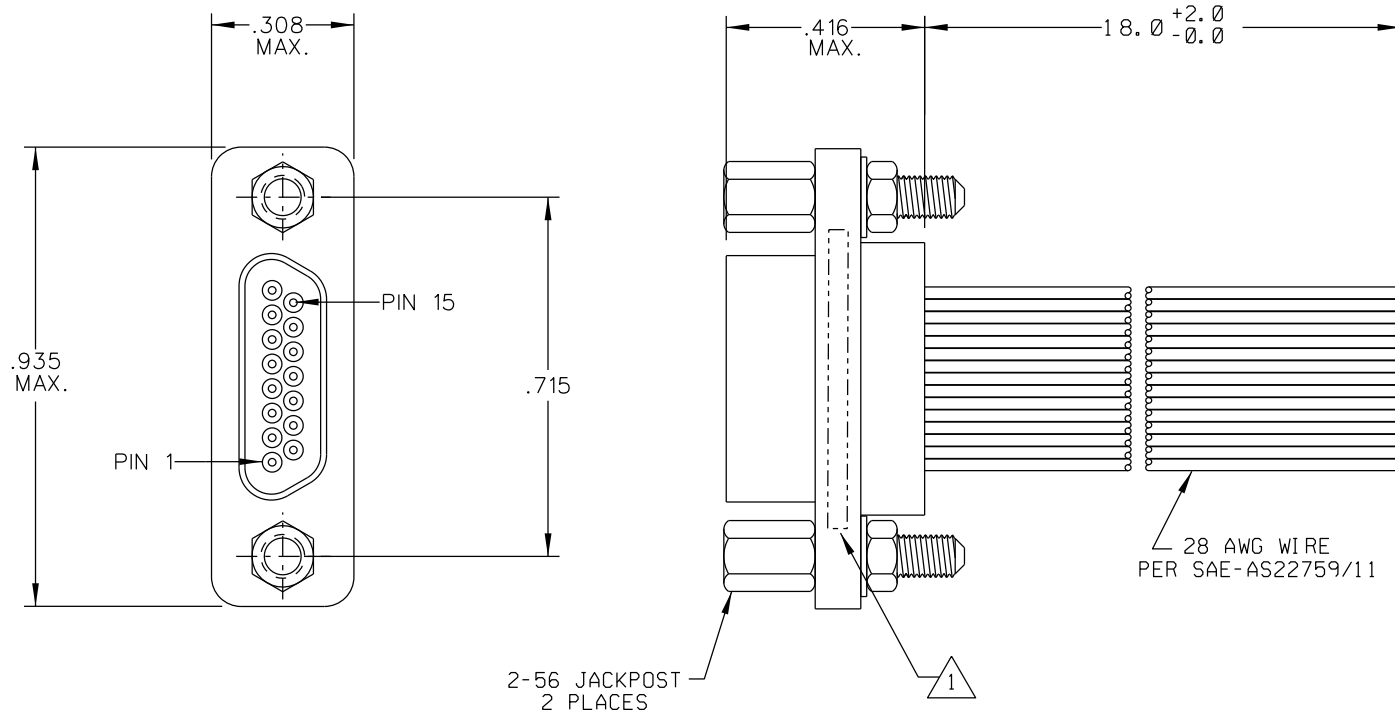


PART REV	DWG ISSUE	DATE	ECN NO.	APPVD BY	REL BY
-	-	11-9-12	UMI 4786	DW	DW



1	BLK
2	BRN
3	RED
4	ORG
5	YEL
6	GRN
7	BLU
8	VIO
9	GRY
10	WHT
11	W/BLK
12	W/BRN
13	W/RED
14	W/ORG
15	W/YEL

- △2 MATERIALS:  
SHELL: 6061-T6 OR ALUMINUM PER SAE-AMS-QQ-A200/8,  
CAD PLATED PER SAE-AMS-QQ-P-416  
INSULATOR: PPS PER MIL-M-24519 GST-40F, COLOR: BLACK  
PIN CONTACTS: C17200 BERYLLIUM COPPER PER ASTM B194,  
GOLD PLATED PER ASTM B488
- △1 HARDWARE: STAINLESS STEEL IAW MIL-DTL-83513, PASSIVATED  
MARKING: "UMI", UMI DATE CODE, AND UMI PART NUMBER

NOTES: UNLESS OTHERWISE SPECIFIED.

<b>QUALITY SYMBOLS</b> MAJOR CRITICAL SPC	UNLESS SPECIFIED: ALL DIMENSIONS IN INCHES	SCALE 4 : 1	DWG SIZE B	THIRD ANGLE PROJECTION	REVISE ON CAD ONLY
	GENERAL TOLERANCES: 3 PLACE ±.005 2 PLACE ±.01 ANGULAR ±2°	DRAWN BY & DATE DW 11-9-12		TITLE: CONNECTOR ASSEMBLY, MR15P07-28M5-18.0	
	Uti-Mate CAGE CODE <b>58967</b>	CHECKED BY & DATE <b>SEE ECN</b>		MATERIAL: △2 Uti-Mate Connector Inc.	
		APPROVED BY & DATE <b>SEE ECN</b>	CAD FILENAME SD-8341 20657.DGN	PART NO. 8341 20657	DRAWING NO. SD-8341 20657

THIS DRAWING CONTAINS INFORMATION THAT IS PROPRIETARY TO ULTI-MATE INCORPORATED AND SHOULD NOT BE USED WITHOUT WRITTEN PERMISSION.