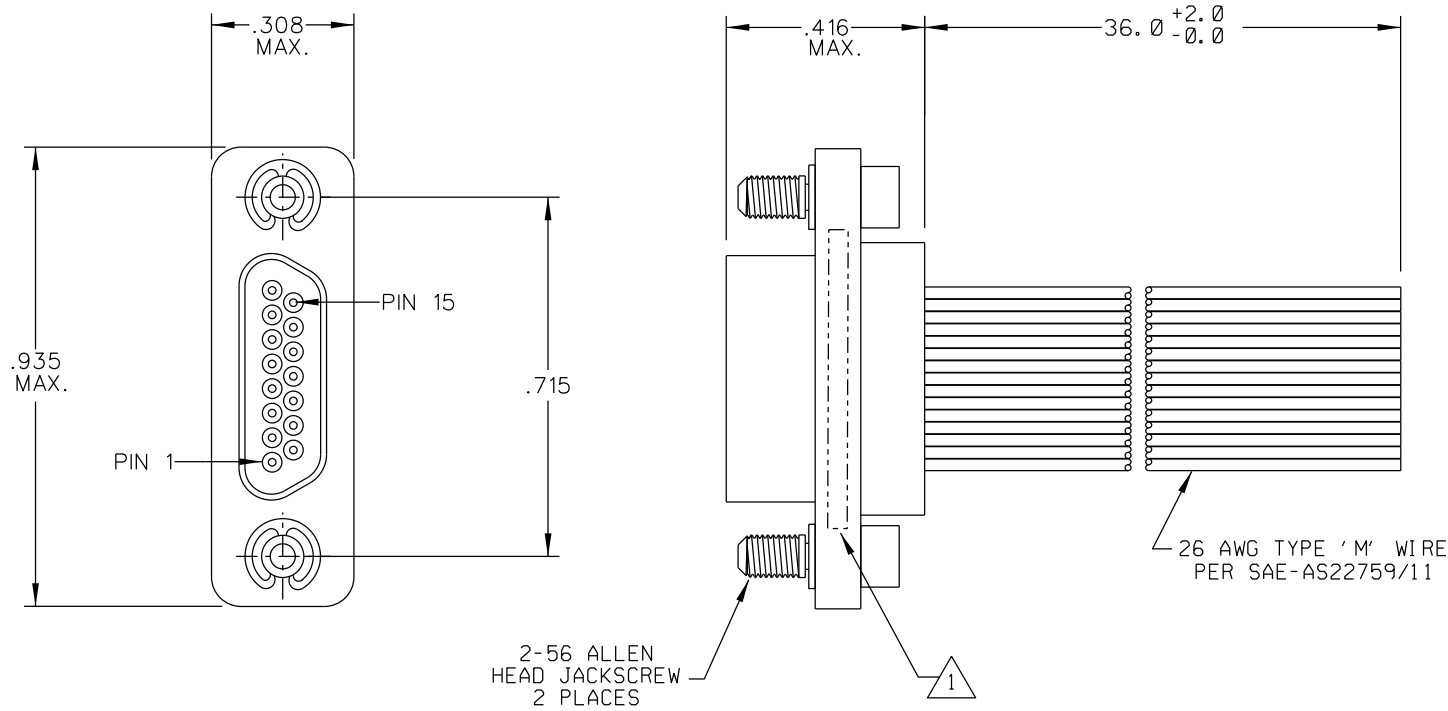


PART REV	DWG ISSUE	DATE	ECN NO.	APPVD BY	REL BY
-	-	9-12-14	UMI 5422	DW	DW



1	BLK
2	BRN
3	RED
4	ORG
5	YEL
6	GRN
7	BLU
8	VIO
9	GRY
10	WHT
11	W/BLK
12	W/BRN
13	W/RED
14	W/ORG
15	W/YEL

3. PERFORMANCE SPECIFICATIONS:  
 CURRENT RATING: 3 AMPS MAX.  
 INSULATION RESISTANCE: 5000 MEGOHMS MIN.  
 DWV: 600 VAC;  
 TEMPERATURE RATING: 125°C

- 2 MATERIALS:  
 SHELL: 6061-T6 OR 6061-T651 ALUMINUM PER SAE-AMS-QQ-A200/8,  
 CAD PLATED PER SAE-AMS-QQ-P-416  
 INSULATOR: PPS PER MIL-M-24519 GST-40F, COLOR: BLACK  
 PIN CONTACTS: C17200 BERYLLIUM COPPER PER ASTM B194,  
 GOLD PLATED PER ASTM B488
- 1 HARDWARE: PASSIVATED STAINLESS STEEL IAW MIL-DTL-83513/05  
 MARKING: "UMI", UMI DATE CODE, AND UMI PART NUMBER

NOTES: UNLESS OTHERWISE SPECIFIED.

QUALITY SYMBOLS CRITICAL SPECIAL KEY	UNLESS SPECIFIED: ALL DIMENSIONS IN INCHES GENERAL TOLERANCES: 3 PLACE ±.005 2 PLACE ±.01 ANGULAR ±2°	SCALE 4 : 1 DWG SIZE B	THIRD ANGLE PROJECTION	REVISE ON CAD ONLY		
	ALL EXTERNAL SPECIFICATIONS REFERENCED ON THIS DRAWING SHALL BE TO THE LATEST REVISION IN EFFECT Ulti-Mate CAGE CODE <b>58967</b>	DRAWN BY & DATE DW 9-12-14	TITLE: MICRO-D PLUG, ( PINS ), SIZE 15, 26 AWG LEADS, MR15P02-26M5-36.0		MATERIAL:  Ulti-Mate Connector Inc.	
		CHECKED BY & DATE SEE ECN	APPROVED BY & DATE SEE ECN	CAD FILENAME SD-834120392.DGN	PART NO. 834120392	DRAWING NO. SD-834120392
	THIS DRAWING CONTAINS INFORMATION THAT IS PROPRIETARY TO ULTI-MATE INCORPORATED AND SHOULD NOT BE USED WITHOUT WRITTEN PERMISSION.		PART REV -			