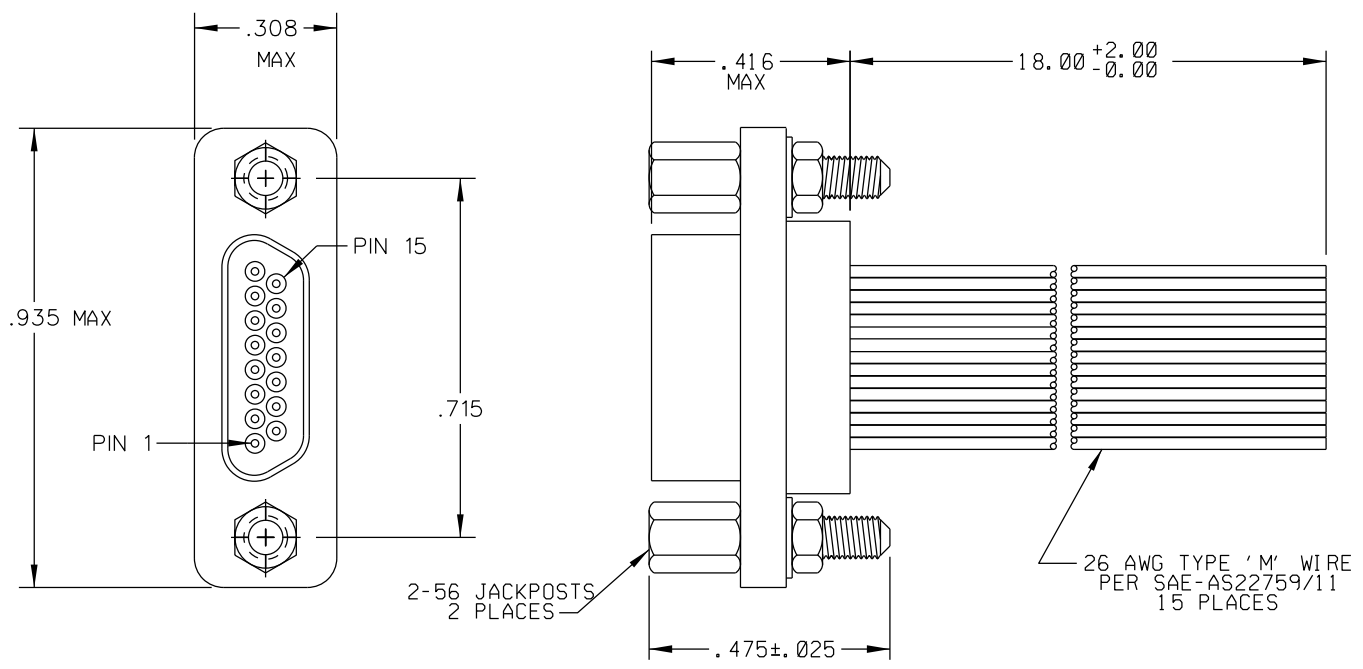


| PART REV | DWG ISSUE | DATE | ECN NO. | APPVD BY | REL BY |
|----------|-----------|----------|----------|----------|--------|
| - | - | 10-18-11 | UMI 4488 | DW | DW |



| | |
|----|-------|
| 1 | BLK |
| 2 | BRN |
| 3 | RED |
| 4 | ORG |
| 5 | YEL |
| 6 | GRN |
| 7 | BLU |
| 8 | VIO |
| 9 | GRY |
| 10 | WHT |
| 11 | W/BLK |
| 12 | W/BRN |
| 13 | W/RED |
| 14 | W/ORG |
| 15 | W/YEL |

MATERIALS:
 SHELL: 6061-T6 ALUMINUM PER SAE-AMS-QQ-A-200/8, CADMIUM PLATED PER AMS-QQ-P-416
 INSULATOR: PPS PER MIL-M-24519 GST-40F, COLOR: BLACK
 PIN CONTACTS: BERYLLIUM COPPER PER ASTM B194, GOLD PLATED PER ASTM B488
 HARDWARE: STAINLESS STEEL, PASSIVATED PER AMS-2700
 1. MARKING: UMI, DATE CODE, UMIP/N.
 NOTES: UNLESS OTHERWISE SPECIFIED.

| | | | | | | |
|---|---|--|--|-----------------------------|---------------------|---------------|
| QUALITY SYMBOLS CRITICAL SPECIAL KEY | UNLESS SPECIFIED: ALL DIMENSIONS IN INCHES GENERAL TOLERANCES: 3 PLACE ± .005 2 PLACE ± .01 ANGULAR ±2° | SCALE 4 : 1 DWG SIZE B | THIRD ANGLE PROJECTION | REVISE ON CAD ONLY | | |
| | ALL EXTERNAL SPECIFICATIONS REFERENCED ON THIS DRAWING SHALL BE TO THE LATEST REVISION IN EFFECT Ulti-Mate CAGE CODE 58967 | DRAWN BY & DATE DW 10-12-06 CHECKED BY & DATE SEE ECN APPROVED BY & DATE SEE ECN | TITLE: MICRO-D PLUG (PINS), SIZE 15, WIRED, MR15P07-26M5-18.0 | | MATERIAL: | |
| | | CAD FILENAME SD-834120187.DGN | PART NO. 834120187 | DRAWING NO. SD-834120187 | SHEET NO. 1 OF 1 | |
| | | THIS DRAWING CONTAINS INFORMATION THAT IS PROPRIETARY TO ULTI-MATE INCORPORATED AND SHOULD NOT BE USED WITHOUT WRITTEN PERMISSION. | | | | PART REV - |

