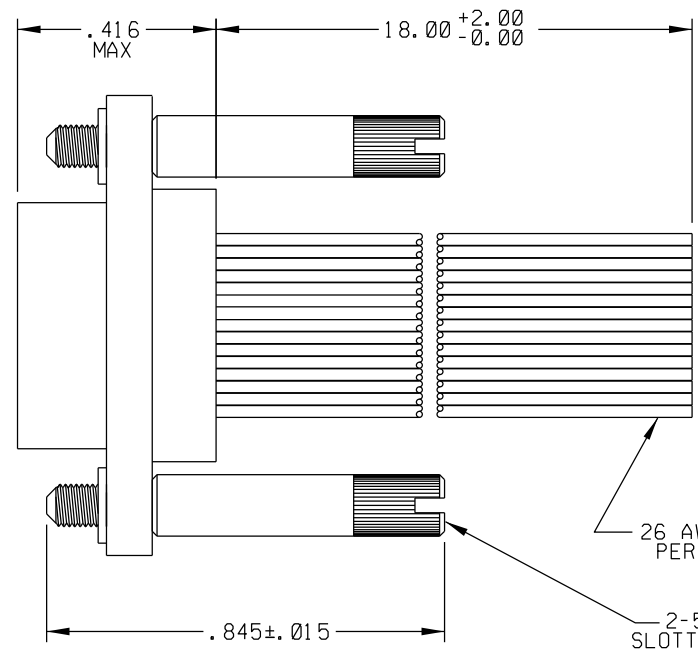
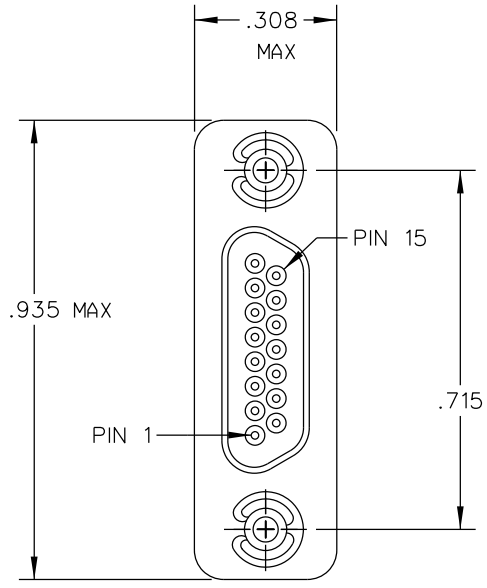


PART REV	DWG ISSUE	DATE	ECN NO.	APPVD BY	REL BY
-	-	10-18-11	UMI 4488	DW	DW



1	BLK
2	BRN
3	RED
4	ORG
5	YEL
6	GRN
7	BLU
8	VIO
9	GRY
10	WHT
11	W/BLK
12	W/BRN
13	W/RED
14	W/ORG
15	W/YEL

26 AWG TYPE 'M' WIRE  
PER SAE-AS22759/11  
15 PLACES

2-56 HIGH PROFILE  
SLOTTED HEAD JACKSCREW  
2 PLACES

**2** MATERIALS:  
SHELL: 6061-T6 ALUMINUM PER SAE-AMS-QQ-A-200/8, CADMIUM PLATED PER AMS-QQ-P-416  
INSULATOR: PPS PER MIL-M-24519 GST-40F, COLOR: BLACK  
PIN CONTACTS: BERYLLIUM COPPER PER ASTM B194, GOLD PLATED PER ASTM B488  
HARDWARE: STAINLESS STEEL, PASSIVATED PER AMS-2700  
1. MARKING: UMI, DATE CODE, UMIP/N.  
NOTES: UNLESS OTHERWISE SPECIFIED.

QUALITY SYMBOLS CRITICAL MAJOR NO SYMBOL = MINOR DIMENSION	UNLESS SPECIFIED: ALL DIMENSIONS IN INCHES GENERAL TOLERANCES: 3 PLACE ± .005 2 PLACE ± .01 ANGULAR ± 2°	SCALE 4 : 1 DWG SIZE B	THIRD ANGLE PROJECTION	REVISE ON CAD ONLY	
	ALL EXTERNAL SPECIFICATIONS REFERENCED ON THIS DRAWING SHALL BE TO THE LATEST REVISION IN EFFECT Ulti-Mate CAGE CODE <b>58967</b>	DRAWN BY & DATE DW 10-12-06 CHECKED BY & DATE SEE ECN APPROVED BY & DATE SEE ECN	TITLE: MICRO-D PLUG (PINS), SIZE 15, WIRED, MRI5P06-26M5-18.0		MATERIAL: 
CAD FILENAME SD-834120186.DGN		PART NO. 834120186	DRAWING NO. SD-834120186	SHEET NO. 1 OF 1	
THIS DRAWING CONTAINS INFORMATION THAT IS PROPRIETARY TO ULTI-MATE INCORPORATED AND SHOULD NOT BE USED WITHOUT WRITTEN PERMISSION.				PART REV -	

