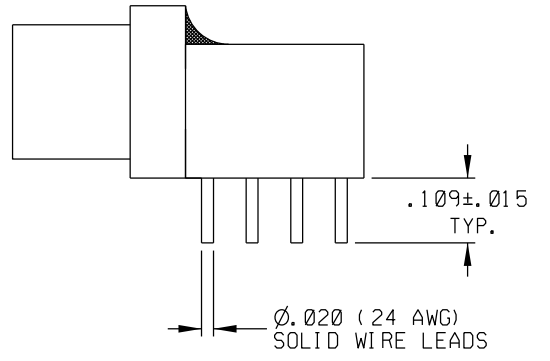
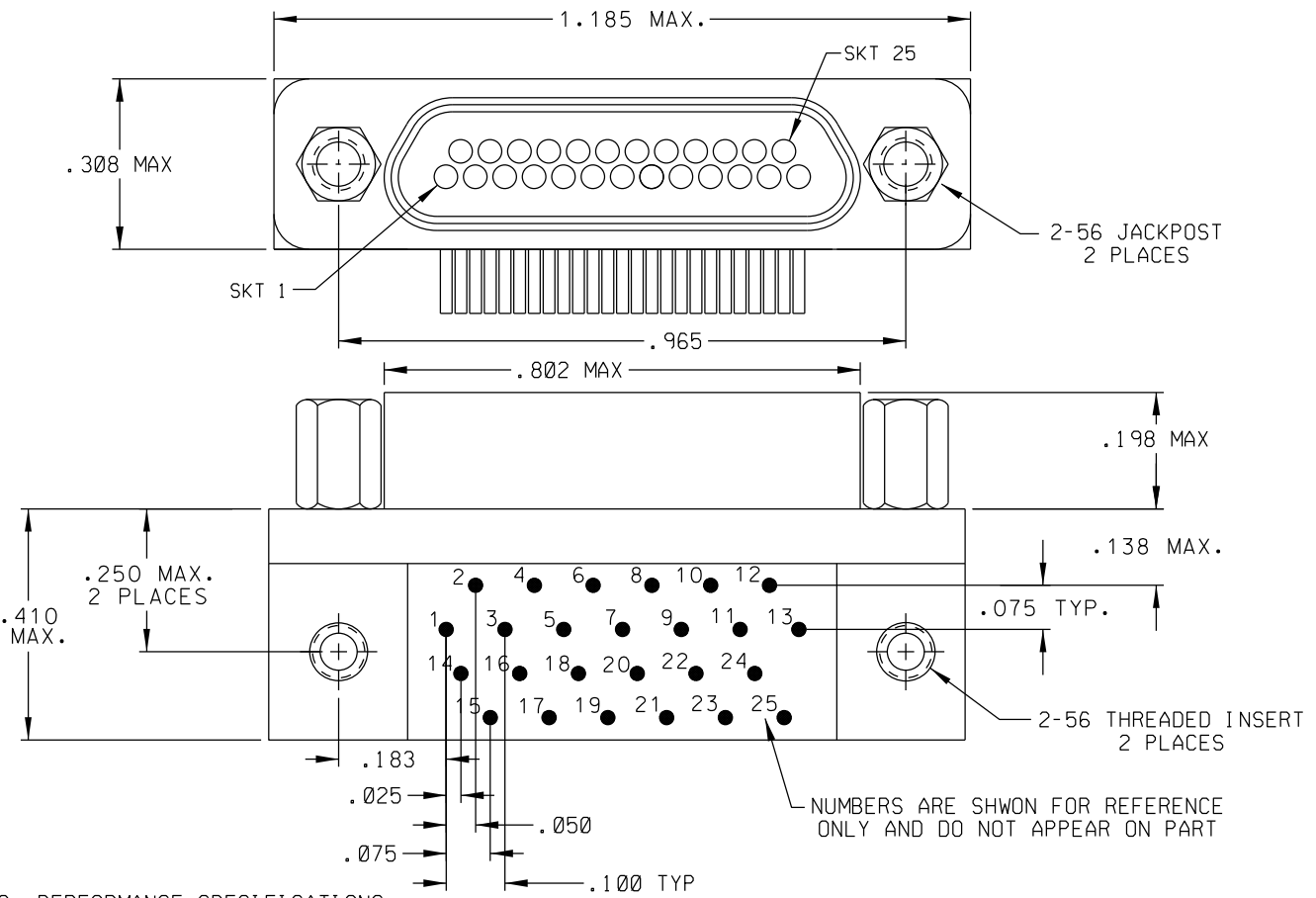


PART REV	DWG ISSUE	DATE	ECN NO.	APPVD BY	REL BY
-	-	11-6-12	UMI 4776	DW	DW



3. PERFORMANCE SPECIFICATIONS:
 CURRENT RATING: 3A MAX
 INSULATION RESISTANCE: 5000 MOHMS MIN.
 DWV: 600 VAC
 TEMPERATURE RATING: 200°C
 CONTACT RESISTANCE: 8 MOHMS MAX AT 2.5 AMPS

- MATERIALS:
 SHELL: 6061-T6 ALUMINUM PER QQ-A200/8 NICKEL PLATED PER AMS 2404
 INSULATOR: PPS PER MIL-M-24519 GST-40F, COLOR: BLACK
 SOCKET CONTACT: C21000 COPPER ALLOY PER ASTM B36, 1/2 HARD, GOLD PLATED PER ASTM B488
 HARDWARE: PASSIVATED STAINLESS STEEL IAW MIL-DTL-83513/5
 INTERFACIAL SEAL: FLOUROSILICONE PER MIL-R-25988

1. MARKING: UMI, DATE CODE, UMI P/N.
 NOTES: UNLESS OTHERWISE SPECIFIED.

QUALITY SYMBOLS MAJOR CRITICAL SPC	UNLESS SPECIFIED: ALL DIMENSIONS IN INCHES	SCALE NONE	DWG SIZE B	THIRD ANGLE PROJECTION	REVISE ON CAD ONLY
	GENERAL TOLERANCES: 3 PLACE $\pm .005$ 2 PLACE $\pm .01$ ANGULAR $\pm 2^\circ$	DRAWN BY & DATE DW 11-6-12	CHECKED BY & DATE SEE ECN	TITLE CIRCUIT RECEPTACLE ASSY, SIZE 25, SKT CONTACTS, STYLE 8 (90°) BACKSHELL, HI-TEMP, CM8R25S07T-S01-HT	
	Utii-Mate CAGE CODE 58967	APPROVED BY & DATE SEE ECN	MATERIAL: 	Utii-Mate Connector Inc.	
		CAD FILENAME SD-436241818.DGN	PART NO. 436241818	DRAWING NO. SD-436241818	SHEET NO. 1 OF 1

THIS DRAWING CONTAINS INFORMATION THAT IS PROPRIETARY TO ULTI-MATE INCORPORATED AND SHOULD NOT BE USED WITHOUT WRITTEN PERMISSION.