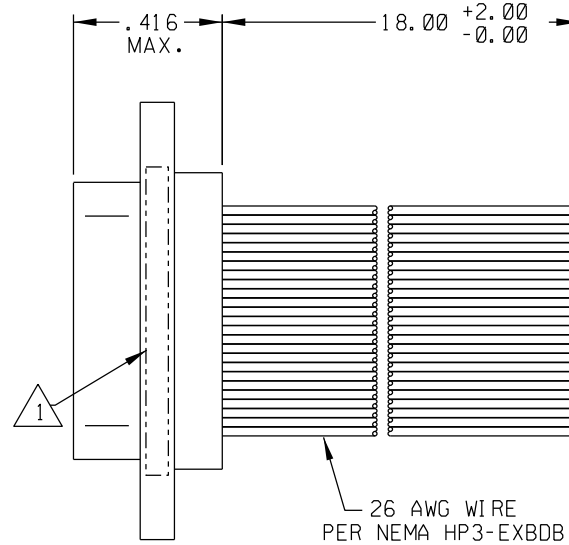
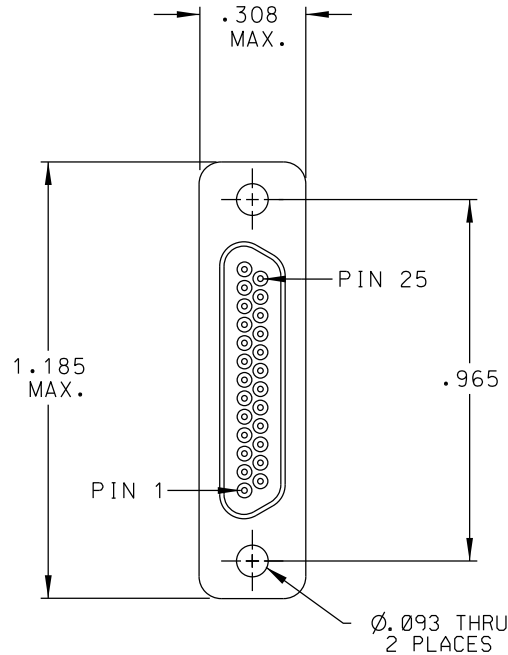


PART REV	DWG ISSUE	DATE	ECN NO.	APPVD BY	REL BY
-	-	3-9-18	UMI 6690	DW	DW



1	BLK
2	BRN
3	RED
4	ORG
5	YEL
6	GRN
7	BLU
8	VIO
9	GRY
10	WHT
11	W/BLK
12	W/BRN
13	W/RED
14	W/ORG
15	W/YEL
16	W/GRN
17	W/BLU
18	W/VIO
19	W/GRY
20	W/BLK/BRN
21	W/BLK/RED
22	W/BLK/ORG
23	W/BLK/YEL
24	W/BLK/GRN
25	W/BLK/BLU

3. PERFORMANCE SPECIFICATIONS:
 CURRENT RATING (AT AMBIENT): 3 AMPS MAX
 DWV: 600 VAC
 INSULATION RESISTANCE: 5000 MEGOHMS MIN.
 TEMPERATURE RATING: 200°C

2 MATERIALS:
 SHELL: 6061-T6 ALUMINUM PER QQ-A200/8, NICKEL PLATED PER AMS 2404
 INSULATOR: PPS PER MIL-M-24519 GST-40F
 PIN CONTACTS: C17410 BERYLLIUM COPPER PER ASTM B768,
 GOLD PLATED PER ASTM B488

1 MARKING: UMI, DATE CODE, UMI P/N, AND WORK ORDER NUMBER.

NOTES: UNLESS OTHERWISE SPECIFIED.

QUALITY SYMBOLS CRITICAL SPECIAL KEY	UNLESS SPECIFIED: ALL DIMENSIONS IN INCHES GENERAL TOLERANCES: 3 PLACE ±.005 2 PLACE ±.01 ANGULAR ±2°	SCALE: NONE DWG SIZE: B	THIRD ANGLE PROJECTION	REVISE ON CAD ONLY		
	ALL EXTERNAL SPECIFICATIONS REFERENCED ON THIS DRAWING SHALL BE TO THE LATEST REVISION IN EFFECT Ulti-Mate CAGE CODE 58967	DRAWN BY & DATE DW 3-9-18	TITLE: MICRO-D PLUG, 21 PIN, 26 AWG TYPE 'E' WIRE LEADS, MR25P0-26E5-18.0-S01-HT		MATERIAL: 2	
		CHECKED BY & DATE SEE ECN	APPROVED BY & DATE SEE ECN	CAD FILENAME SD-4341 41 070.DGN	PART NO. 4341 41 070	DRAWING NO. SD-4341 41 070
	SHEET NO. 1 OF 1			SHEET REV -		

THIS DRAWING CONTAINS INFORMATION THAT IS PROPRIETARY TO ULTI-MATE INCORPORATED AND SHOULD NOT BE USED WITHOUT WRITTEN PERMISSION.