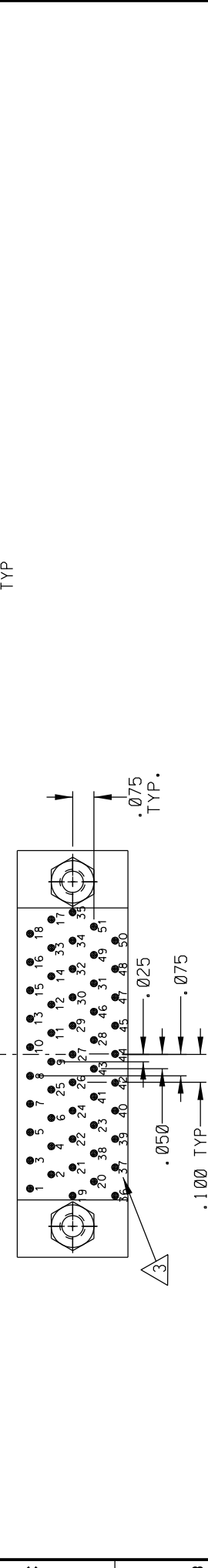
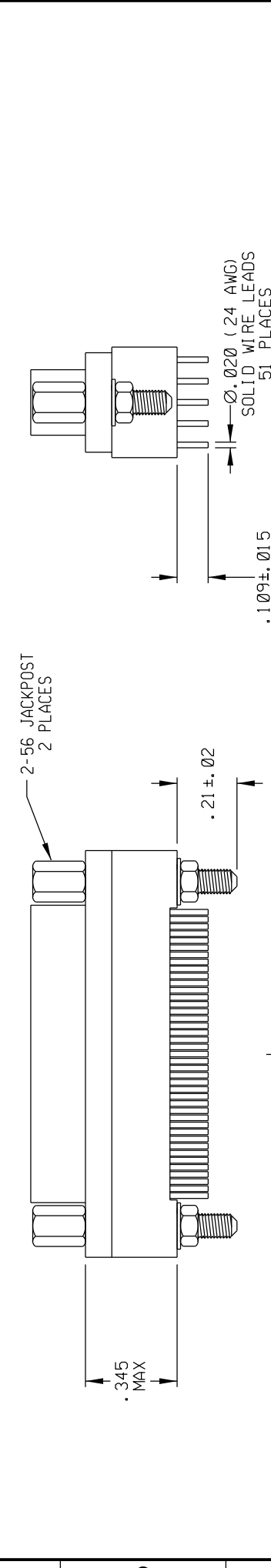
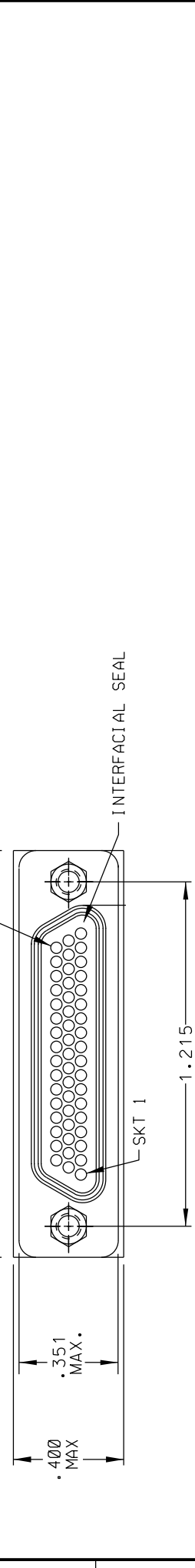


2	ECN NO.	UMI 41 49
3	DATE	10-12-10
4	REV	A
5	ISSUE	10-12-10
6	BY	UMI 41 98
7	APPVD BY	
8	REL BY	



10	QUALITY SYMBOLS	UNLESS SPECIFIED: ALL DIMENSIONS IN INCHES GENERAL TOLERANCES: 3 PLACE ± .005 2 PLACE ± .01 ANGULAR ±2°	SCALE	DWG SIZE	THIRD ANGLE PROJECTION	REVISE ON CAD ONLY
9	MAJOR		3:1	B	☉	
8	CRITICAL		DRAWN BY & DATE DW 8-26-10			TITLE: CIRCUIT CONNECTOR, FEMALE CONTACTS, SIZE 51-3, STYLE 16 BACKSHELL, HI-TEMP, CM6R51-3S07-S01-HT
7	SPC		CHECKED BY & DATE			MATERIAL:
6			APPROVED BY & DATE			Part No. <b>Uti-Mate</b> Connector Inc.
5		Uti-Mate CASE CODE <b>58967</b>	CAD FILENAME SD-839040154.DGN	DRAWING NO. SD-839040154	SHEET NO. 1 OF 1	
4			THIS DRAWING CONTAINS INFORMATION THAT IS PROPRIETARY TO ULTI-MATE INCORPORATED AND SHOULD NOT BE USED WITHOUT WRITTEN PERMISSION.			
3						
2						
1						

3 NUMBERS SHOWN ON BACKSHELL ARE FOR REFERENCE ONLY AND DO NOT APPEAR ON PART.

2 MATERIALS:  
SHELL: 6061-T6 ALUMINUM PER QQ-A200/8 NICKEL PLATED PER SAE-AMS-C-26074  
INSULATOR AND BACKSHELL: PPS PER MIL-M-24519 GST-40F  
SOCKET CONTACTS: CDA 210 COPPER ALLOY, GOLD PLATED PER ASTM B194  
24 AWG SOLID WIRE LEADS: TIN PLATED COPPER ALLOY  
HARDWARE: STAINLESS STEEL, PASSIVATED PER SAE-AMS-00-P-35  
INTERFACIAL SEAL: FLOUROSILICONE PER MIL-DTL-25988

1. MARKINGS: UMI, UMI DATE CODE, AND UMI PART NUMBER  
NOTES: UNLESS OTHERWISE SPECIFIED