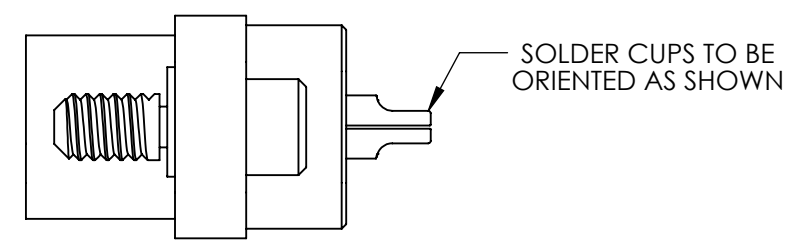
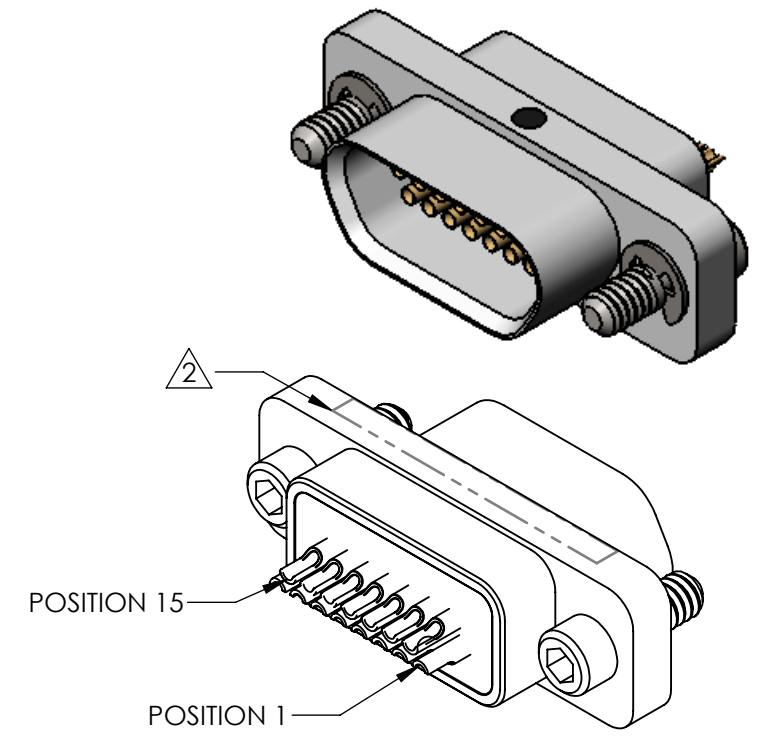
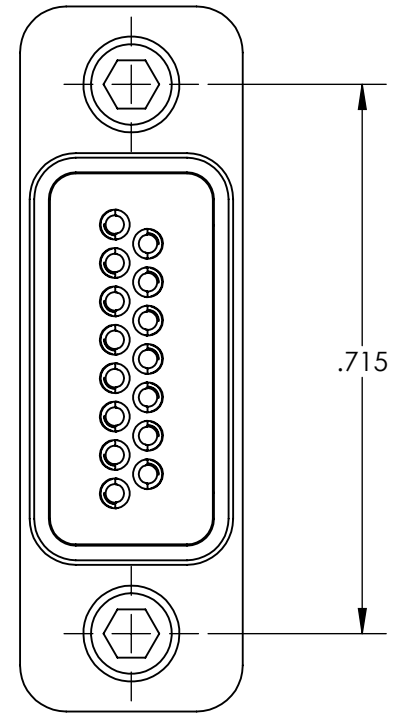
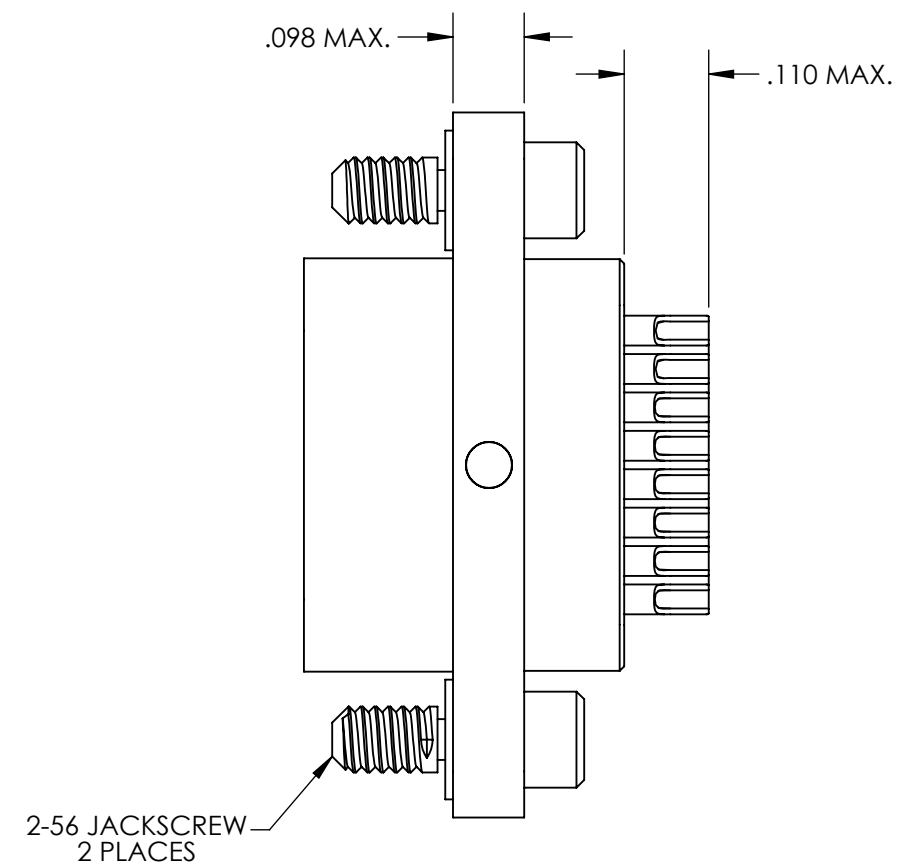
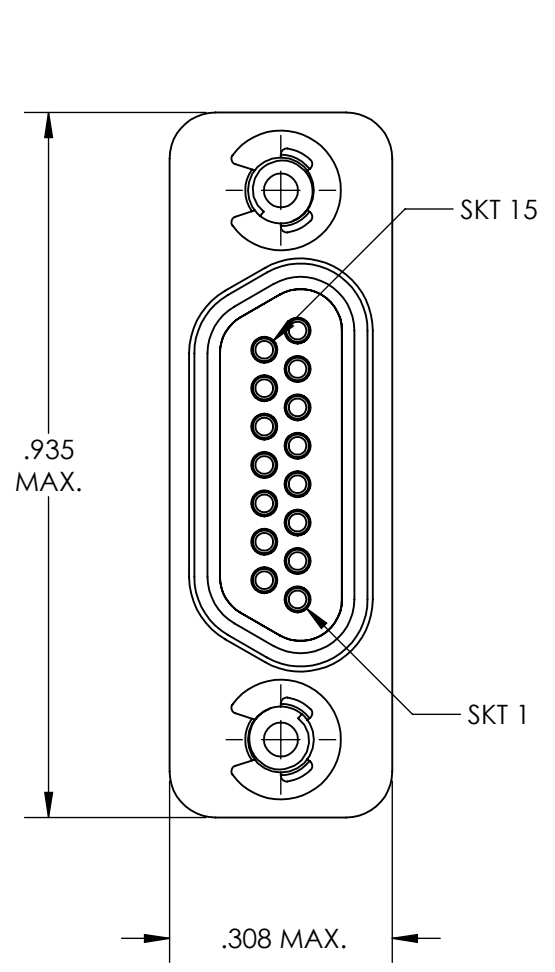


REVISIONS

DWG. ISSUE	PART REV.	DATE	ECN NO.	APPVD. BY	REL. BY
-	-	07/03/2013	UMI5015	DW	DW



4. PERFORMANCE SPECIFICATIONS:
 CURRENT RATING: 3A MAX.
 INSULATION RESISTANCE: 5000 MΩ MIN.
 DWV: 600 VAC
 TEMPERATURE RATING: 200°C
 CONTACT RESISTANCE: 8 mΩ MAX AT 2.5 AMPS

3 MATERIALS:
 SHELL: 6061-T6 ALUMINUM PER AMS-QQ-A200/8, NICKEL PLATED PER AMS 2404
 INSULATOR AND BACKSHELL: PPS PER MIL-M-24519 GST-40F, COLOR: BLK
 SOCKET CONTACTS: C21000 BRASS ALLOY PER ASTM B36, GOLD PLATED PER ASTM B488
 HARDWARE: PASSIVATED STAINLESS STEEL IAW MIL-DTL-83513/5
 INTERFACIAL SEAL: FLUOROSILICONE PER MIL-R-25988

2 MARKINGS: UMI, UMI PART NO., AND DATE CODE
 1. CONNECTOR ASSEMBLY IS IAW MIL-DTL-83513 UNLESS OTHERWISE SPECIFIED

NOTES: UNLESS OTHERWISE SPECIFIED

QUALITY SYMBOLS CRITICAL MAJOR NO SYMBOL = MINOR DIMENSION	UNLESS SPECIFIED: ALL DIMENSIONS IN INCHES GENERAL TOLERANCES: 3 PLACE ±.002 2 PLACE ±.005 ANGULAR ±2° Ulti-Mate CAGE CODE 58967	SCALE 4:1	DWG SIZE B	 THIRD ANGLE PROJECTION REVISE ON CAD ONLY	TITLE MICRO-D CONNECTOR, SOLDER CUP, RECEPTACLE, HI-TEMP, SIZE 15 MR15T02-S01-HT MATERIAL 	 Ulti-Mate Connector Inc.		
		DRAWN BY & DATE JB 07/03/2013					PART NO. 839040137	
		CHECKED BY & DATE DW 7-3-13		APPROVED BY & DATE DW 7-3-13		SHEET NO. 1 OF 1		PART REV. -
		CAD FILENAME SD-839040137.slddrw		THIS DRAWING CONTAINS INFORMATION THAT IS PROPRIETARY TO ULTI-MATE INCORPORATED AND SHOULD NOT BE USED WITHOUT WRITTEN PERMISSION.				