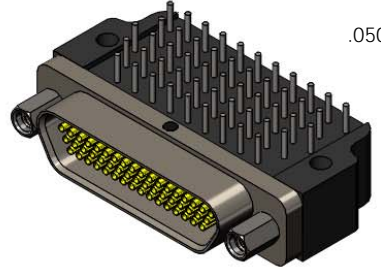
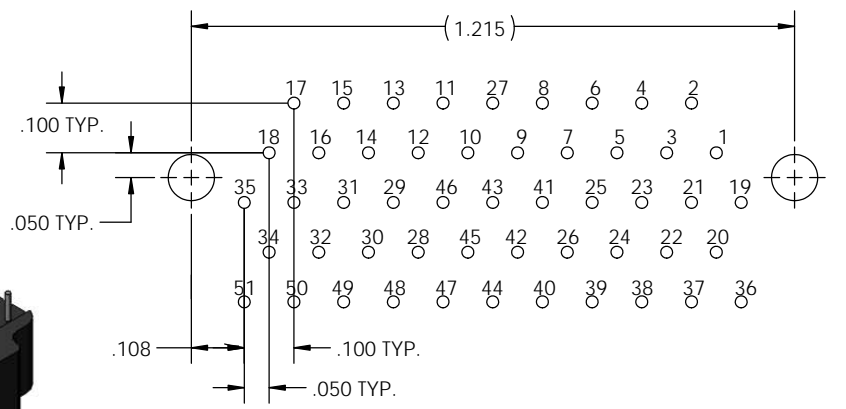
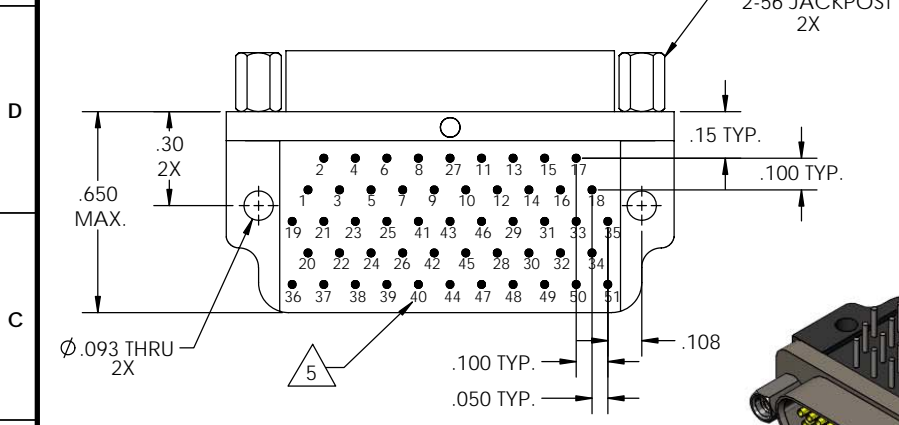
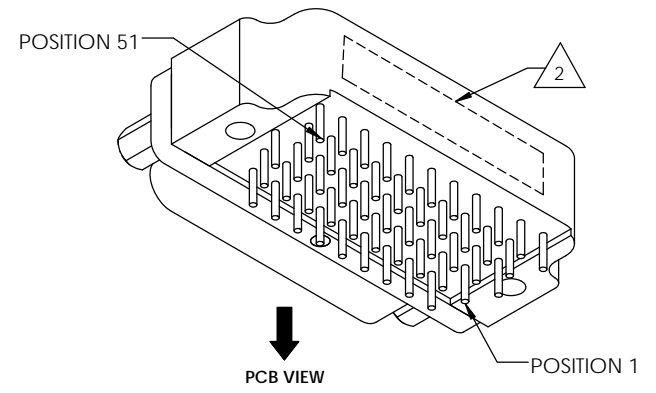
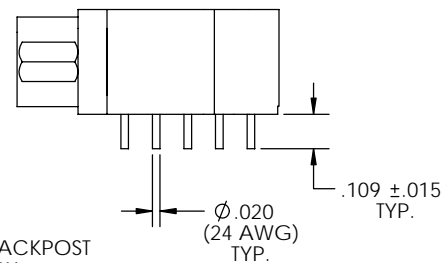
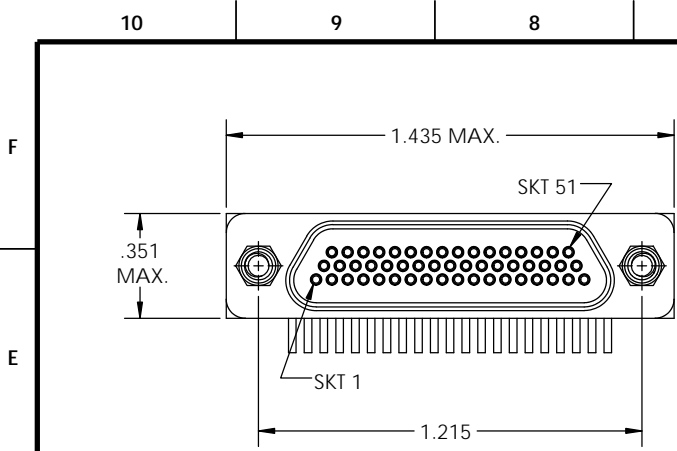


SD-839040132

PART REV	DWG ISSUE	DATE	ECN NO.	APPVD BY	REL BY
-	-	8/10/15	UMI5707	DW	DW
-	A	8/7/17	UMI6456	DW	DW



5 NUMBERS, (LEAD LOCATIONS), ARE SHOWN FOR REFERENCE ONLY AND DO NOT APPEAR ON ACTUAL PART.

4. PERFORMANCE SPECIFICATIONS (AT AMBIENT TEMPERATURE):
CURRENT RATING: 3 AMPS MAX.
DWW: 600 VAC
TEMPERATURE RATING: 200° C

3 MATERIALS:
SHELL: 6061-T6 ALUMINUM PER AMS-QQ-A200/8, NICKEL PLATED PER AMS-2404
INSULATOR AND BACKSHELL: PPS PER MIL-M-24519 GST-40F, COLOR: BLACK
SOCKET CONTACTS: C21000 COPPER ALLOY PER ASTM B36, GOLD PLATED PER ASTM B488
24 AWG LEADS: GOLD PLATED COPPER ALLOY
HARDWARE: PASSIVATED STAINLESS STEEL IAW MIL-DTL-83513/5
INTERFACIAL SEAL: FLUOROSILICONE PER MIL-R-25988

2 MARKING: "UMI", DATE CODE, UMI PART NUMBER, UMI WORK ORDER NUMBER

1. CONNECTOR ASSEMBLY IS IAW MIL-DTL-83513 UNLESS OTHERWISE SPECIFIED.

NOTES: UNLESS OTHERWISE SPECIFIED.

QUALITY SYMBOLS	UNLESS OTHERWISE SPECIFIED, ALL DIMENSIONS ARE IN INCHES	SCALE NONE	DWG SIZE B	THIRD ANGLE PROJECTION	REVISE ON CAD ONLY
CRITICAL	GENERAL TOLERANCES:	DRAWN BY & DATE DU 8/8/17	TITLE: MICRO-D CIRCUIT CONNECTOR, CM1R51-3S07-24C4-S01-HT		
MAJOR	3 PLACES $\pm .005$ 2 PLACES $\pm .01$ ANGULAR $\pm 2^\circ$	CHECKED BY & DATE DW 8/8/17	MATERIAL:	ENG PROJECT #:	
NO SYMBOLS = MINOR DIMENSIONS	ULTI-MATE CAGE CODE 58967	APPROVED BY & DATE DW 8/8/17	3	NONE	
		CAD FILE NAME SD-839040132.slddrw	PART NO. 839040132	DRAWING NO. SD-839040132	SHEET NO. 1 of 1
THIS DRAWING CONTAINS INFORMATION THAT IS PROPRIETARY TO ULTI-MATE INCORPORATED AND SHOULD NOT BE USED WITHOUT WRITTEN PERMISSION.					