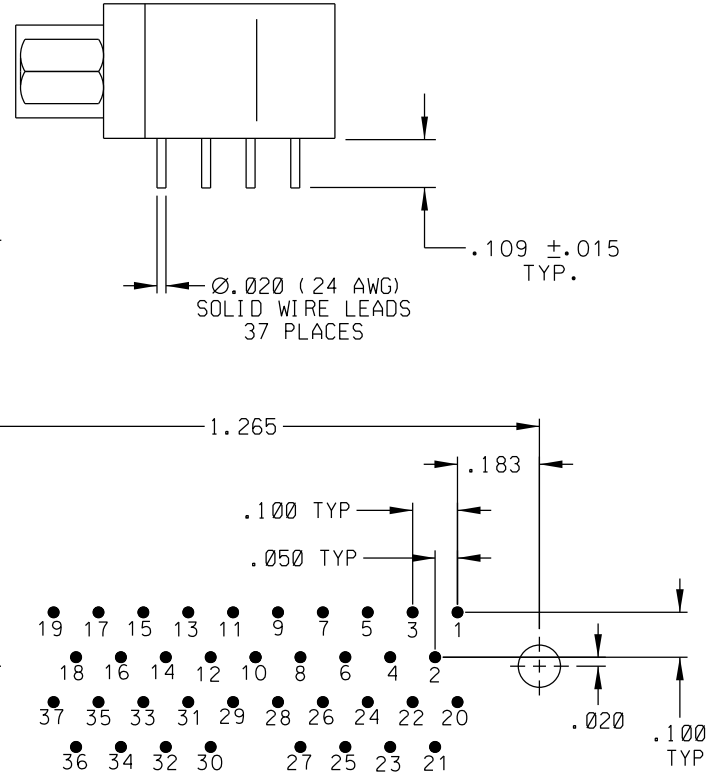
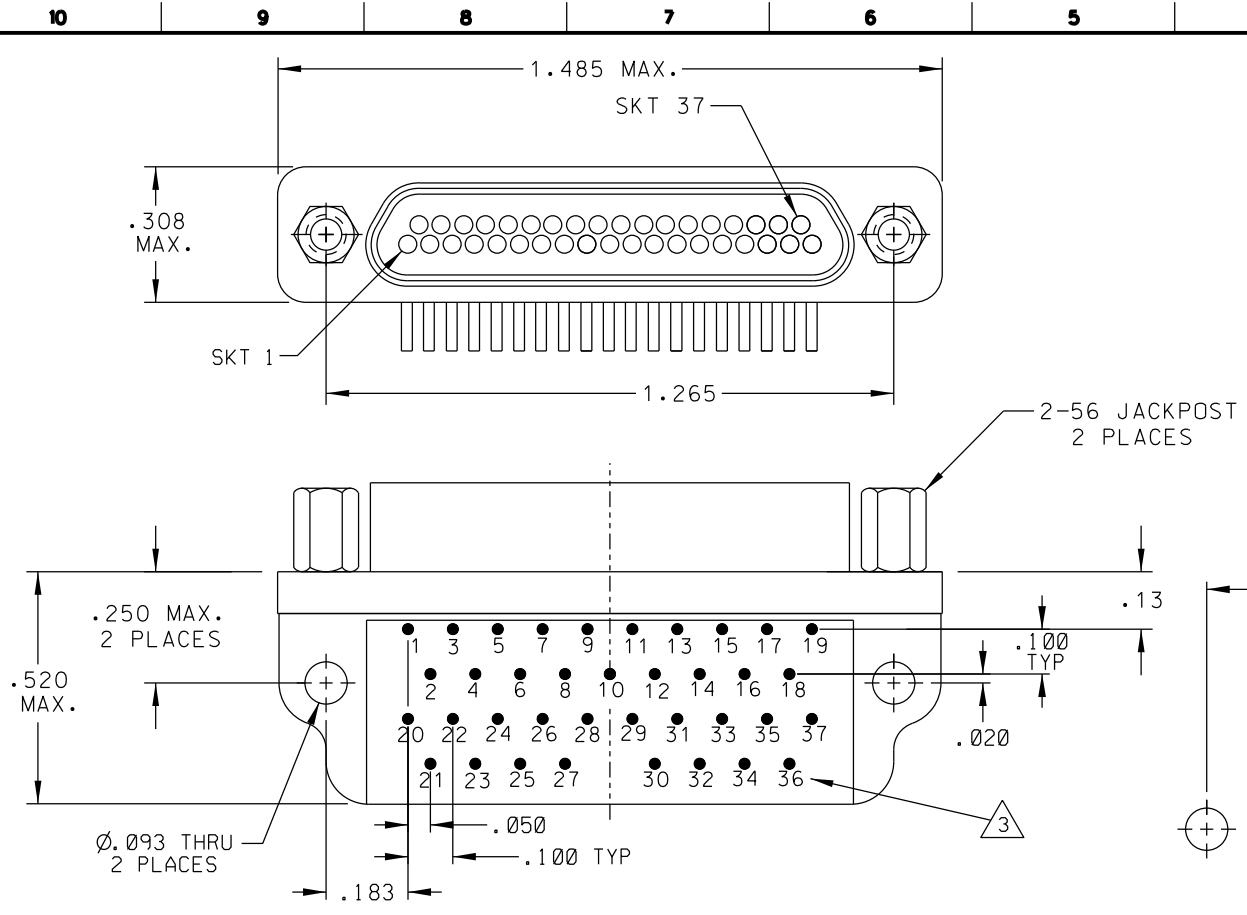


| PART REV | DWG ISSUE | DATE   | ECN NO.  | APPVD BY | REL BY |
|----------|-----------|--------|----------|----------|--------|
| -        | -         | 8-2-13 | UMI 5062 | DW       | DW     |

F  
E  
D  
C  
B  
A



PCB LAYOUT

- 5. ROHS COMPLIANT
- 4. TEMPERATURE RATING: 200°C
- 3. NUMBERS SHOWN ON BACKSHELL ARE FOR REFERENCE ONLY AND DO NOT APPEAR ON PART.
- 2. MATERIALS:  
 SHELL: 6061-T6 ALUMINUM PER SAE-AMS-QQ-A200/8, NICKEL PLATED PER AMS 2404  
 INSULATOR AND BACKSHELL: PPS PER MIL-M-24519 GST-40F  
 SOCKET CONTACTS: COPPER ALLOY C21000 PER ASTM B36  
 GOLD PLATED PER ASTM B488  
 24 AWG SOLID WIRE LEADS: GOLD PLATED COPPER ALLOY  
 HARDWARE: STAINLESS STEEL, PASSIVATED PER AMS 2700  
 INTERFACIAL SEAL: FLOUROSILICONE PER MIL-R-25988

1. MARKING: UMI, DATE CODE, UMI P/N.  
 NOTES: UNLESS OTHERWISE SPECIFIED.

|   |  |   |  |  |
|---|--|---|--|--|
| QUALITY SYMBOLS<br>CRITICAL<br>MAJOR<br>NO SYMBOL - MINOR DIMENSION | UNLESS SPECIFIED:<br>ALL DIMENSIONS IN INCHES<br>GENERAL TOLERANCES:<br>3 PLACE ± .005<br>2 PLACE ± .01<br>ANGULAR ± 2°            | SCALE: NONE<br>DWG SIZE: B<br>DRAWN BY & DATE: DW 8-2-13<br>CHECKED BY & DATE: SEE ECN<br>APPROVED BY & DATE: SEE ECN | THIRD ANGLE PROJECTION<br>REVISE ON CAD ONLY | TITLE: CIRCUIT CONNECTOR, RECEPTACLE SIZE 37, STYLE 1, HIGH TEMP, CMI R37S07-S01-HT-C4-SPL |
|   | Uti-Mate CAGE CODE<br><b>58967</b>   | CAD FILENAME: SD-839040077.DGN<br>PART NO.: 839040077   | MATERIAL:  Uti-Mate Connector Inc.           | DRAWING NO.: SD-839040077<br>SHEET NO.: 1 OF 1   |
|   | THIS DRAWING CONTAINS INFORMATION THAT IS PROPRIETARY TO ULTI-MATE INCORPORATED AND SHOULD NOT BE USED WITHOUT WRITTEN PERMISSION. |   |  | PART REV: -  |