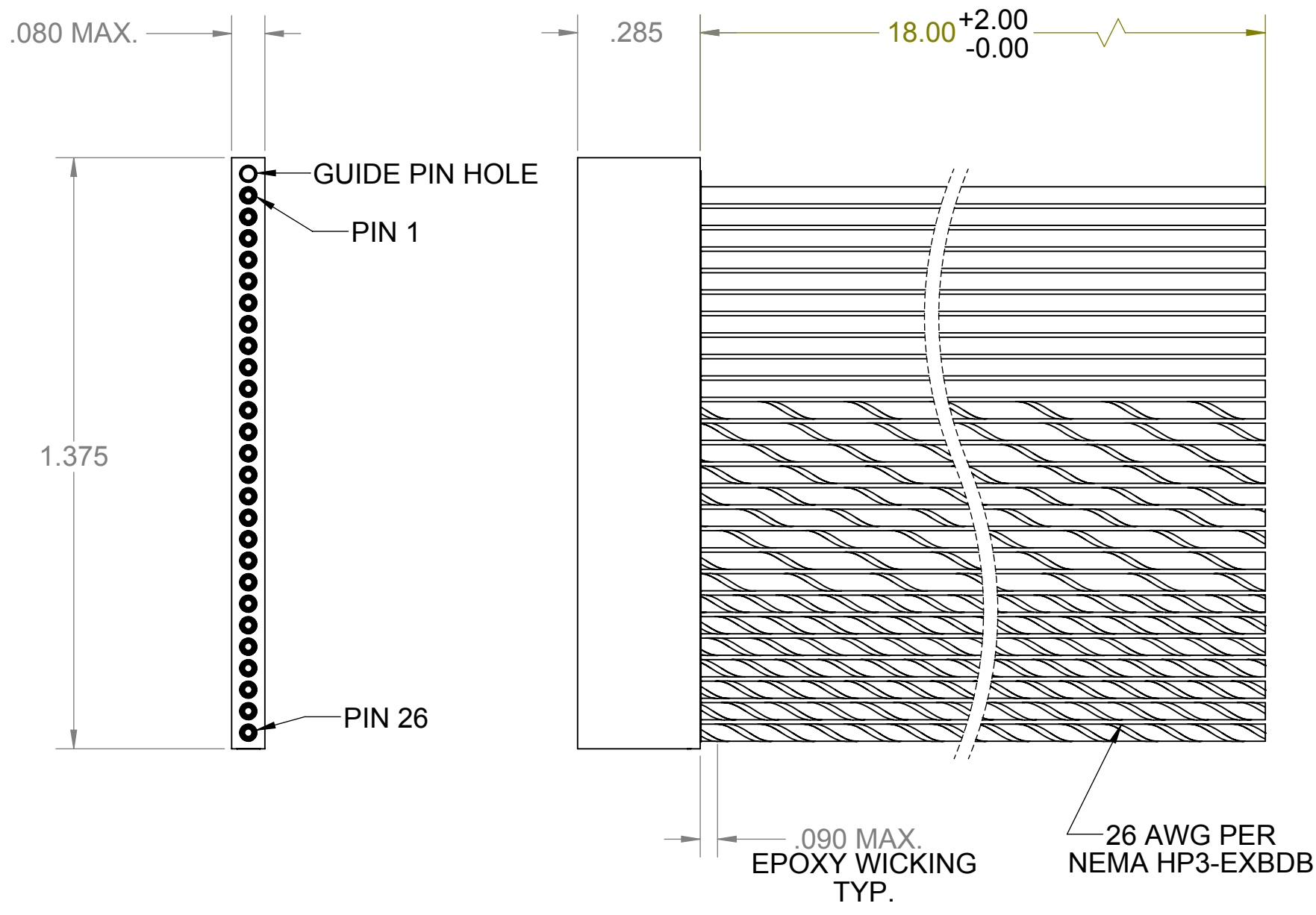
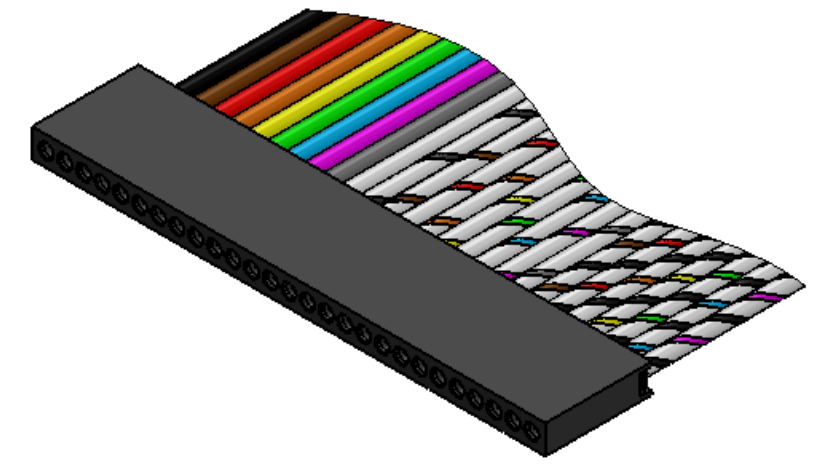


PART REV	DWG ISSUE	DATE	ECN NO.	APPVD BY	REL BY
-	-	2/1/13	UMI 4859	DW	DW

F
E
D
C
B
A



GUIDE PIN HOLE	
1	BLK
2	BRN
3	RED
4	ORG
5	YEL
6	GRN
7	BLU
8	VIO
9	GRY
10	WHT
11	W/BLK
12	W/BRN
13	W/RED
14	W/ORG
15	W/YEL
16	W/GRN
17	W/BLU
18	W/VIO
19	W/GRY
20	W/BLK/BRN
21	W/BLK/RED
22	W/BLK/ORG
23	W/BLK/YEL
24	W/BLK/GRN
25	W/BLK/BLU
26	W/BLK/VIO



3. PERFORMANCE SPECIFICATIONS:
 CURRENT RATING: 3 AMPS MAX.
 INSULATION RESISTANCE: 5000 MEGOHMS MIN.
 DWV: 600 VAC
 TEMPERATURE RATING: 125° C
 CONTACT RESISTANCE: 8 MILLIOHMS MAX. AT 2.5 AMPS

2 MATERIALS:
 STRIP INSULATOR: PPS PER MIL-M-24519 GST-40F, COLOR: BLACK
 PIN CONTACTS: C17200 BERYLLIUM COPPER PER ASTM B194, GOLD PLATED PER ASTM B488

1. MARKING: "UMI", DATE CODE, UMI PART NUMBER, (AS SPACE PERMITS).

NOTES: UNLESS OTHERWISE SPECIFIED.

QUALITY SYMBOLS MAJOR CRITICAL NO SYMBOL = MINOR DIMENSIONS	UNLESS OTHERWISE SPECIFIED: ALL DIMENSIONS ARE IN INCHES	SCALE 3:1	DWG SIZE B	THIRD ANGLE PROJECTION	REVISE ON CAD ONLY	
	GENERAL TOLERANCES: 3 PLACES ±.005 2 PLACES ±.01 ANGULAR ±2°	DRAWN BY & DATE DU 2/1/13	TITLE: MICRO STRIP CONNECTOR, SR26S1-26E5-18.0			
		CHECKED BY & DATE DW 4/3/13	MATERIAL: 2			
		APPROVED BY & DATE DW 4/3/13	Uti-Mate Connector Inc.			
	ULTI-MATE CAGE CODE 58967	CAD FILE NAME SD-837261041.SLDDRW	PART NO. 837261041	DRAWING NO. SD-837261041	SHEET NO. 1 of 1	PART REV. -

THIS DRAWING CONTAINS INFORMATION THAT IS PROPRIETARY TO ULTI-MATE INCORPORATED AND SHOULD NOT BE USED WITHOUT WRITTEN PERMISSION.