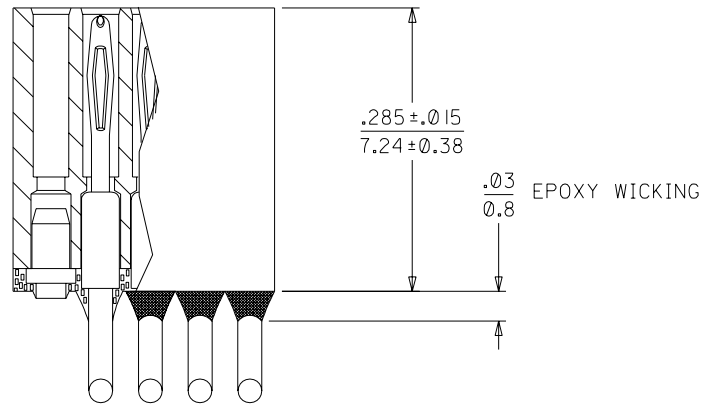
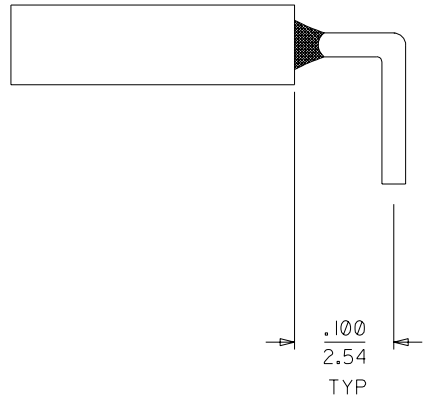
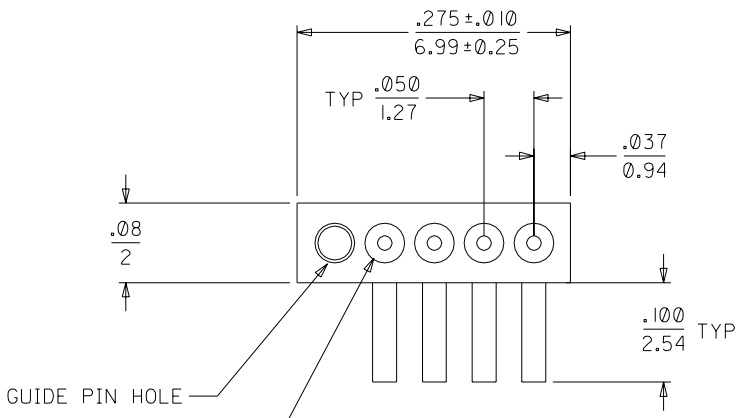


MATERIAL NO.	ENGINEERING NO.
837041121	SR04PI-L03



SALES DRAWING

I. MARKING: NONE

NOTES: UNLESS OTHERWISE SPECIFIED

RELEASE FOR PROD. EC NO. ETC2003-0132 DRWN: JAL 02/11/11 CHK: / / APPR: RWD 02/11/15	QUALITY SYMBOLS MAJOR $\nabla = 0$ CRITICAL $\nabla C = 0$	GENERAL TOLERANCES: (UNLESS SPECIFIED)		SCALE 4 : 1	DESIGN UNITS <input type="checkbox"/> mm <input checked="" type="checkbox"/> INCH	DIMENSIONS: <input type="checkbox"/> mm <input checked="" type="checkbox"/> INCH <input type="checkbox"/> mm ONLY	SHT	REV	
		4 PLACES $\pm 0.$	$\pm .$	DRAWN BY & DATE JAL 02/11/11	TITLE: STRIP CONNECTOR SR04PI-L03				
		3 PLACES $\pm 0.$	$\pm .005$	CHECKED BY & DATE / /	APPROVED BY & DATE RWD 02/11/15		MATERIAL NO. SEE CHART		SHEET NO. 1 OF 1
		2 PLACES $\pm 0.13$	$\pm .010$	CAD FILENAME SD-83704-004_DGN		DRAWING NO. SD-83704-004		SIZE B	
1 PLACE $\pm 0.25$	$\pm .$	ANGULAR: $\pm 2^\circ$		THIS DRAWING CONTAINS INFORMATION THAT IS PROPRIETARY TO MOLEX INCORPORATED AND SHOULD NOT BE USED WITHOUT WRITTEN PERMISSION.					
DRAFT WHERE APPLICABLE MUST REMAIN WITHIN DIMENSIONS									