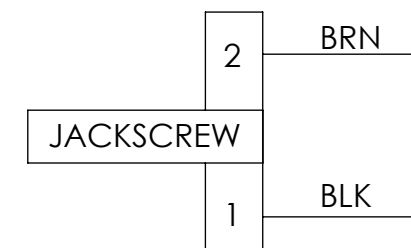
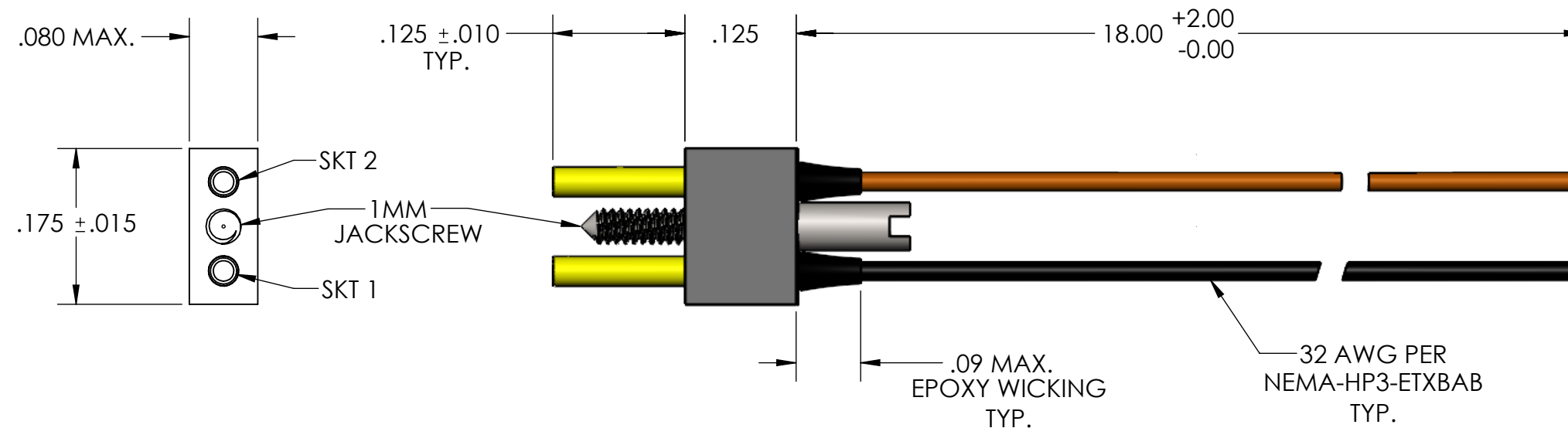


REVISIONS					
PART REV.	DWG. ISSUE	DATE	ECN NO.	APPVD. BY	REL. BY
-	-	7/18/2017	UMI6438	DW	DW
-	A	3/4/2020	UMI7416	JA	DW
A	B	3/19/2020	UMI7435	JA	DW
B	C	9/24/2021	UMI7862	DU	DW



4. CONNECTOR IS RoHS COMPLIANT.

3. PERFORMANCE SPECIFICATIONS:
 CURRENT RATING: 3 AMPS MAX.
 INSULATION RESISTANCE: 5000 MΩ MIN.
 DWV: 600 VAC
 TEMPERATURE RATING: -55°C TO 125°C

2. MATERIALS:
 INSULATOR: PPS PER MIL-M-24519 GST-40F, COLOR: BLK
 SOCKET CONTACTS: C21000 BRASS ALLOY PER ASTM B36, GOLD PLATED PER ASTM B488
 WIRES: 32 AWG PER NEMA-HP3-ETXBAB, COLOR CODE PER MIL-STD-681
 HARDWARE: PASSIVATED STAINLESS STEEL, 300 SERIES

1. MARKING: BAG AND TAG WITH "UMI", DATE CODE, UMI PART NUMBER, AND WORK ORDER

NOTES: UNLESS OTHERWISE SPECIFIED

QUALITY SYMBOLS CRITICAL MAJOR NO SYMBOL = MINOR DIMENSION	UNLESS SPECIFIED: ALL DIMENSIONS IN INCHES	SCALE 6:1	DWG SIZE B	THIRD ANGLE PROJECTION	REVISE ON CAD ONLY		
	GENERAL TOLERANCES: 3 PLACE ±.005 2 PLACE ±.01 ANGULAR ±2°	DRAWN BY & DATE JB 06/20/2017	TITLE MICRO STRIP CONNECTOR, RECEPTACLE, SIZE 2 W/CENTER JACKSCREW, SR02S3-32F5-18.0		MATERIAL 	ENG PROJECT # E325	
	ALL EXTERNAL SPECIFICATIONS REFERENCED ON THIS DRAWING SHALL BE THE LATEST REVISION IN EFFECT	CHECKED BY & DATE DW 06/20/2017	PART NO. 837022913				
	Ulti-Mate CAGE CODE 58967	APPROVED BY & DATE DW 06/20/2017	CAD FILENAME 837022913.slddrw		DRAWING NO. SD-837022913	PART REV. B	
THIS DRAWING CONTAINS INFORMATION THAT IS PROPRIETARY TO ULTI-MATE INCORPORATED AND SHOULD NOT BE USED WITHOUT WRITTEN PERMISSION.							