

10

9

8

7

6

5

4

3

2

SD-837022531

PART REV	DWG ISSUE	DATE	ECN NO.	APPVD BY	REL BY
-	-	2/25/20	UMI7406	DU	DW
-	A	08/01/22	UMI8096	ND	DW

F

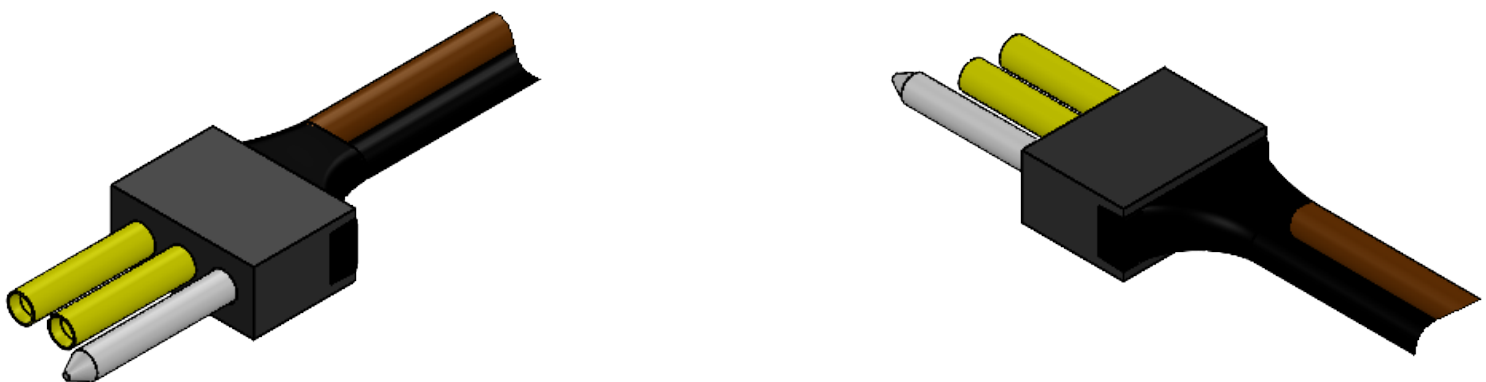
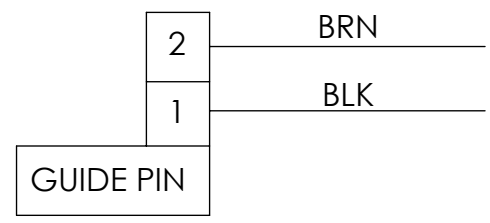
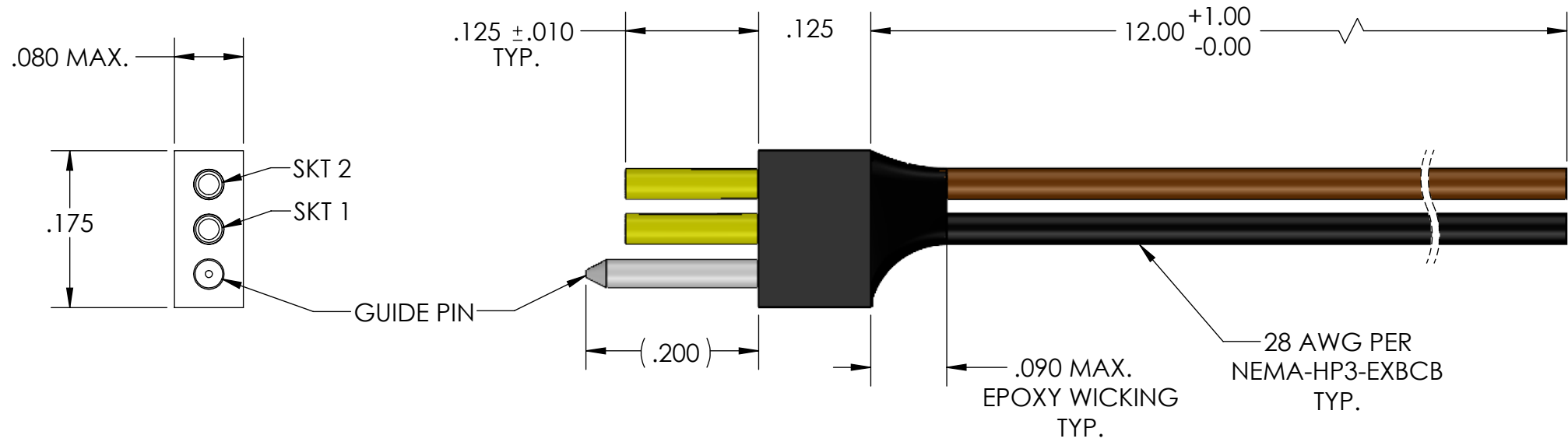
E

D

C

B

A



- 5. CONTACT HEIGHTS ARE TO BE PER QA-STD-101.
- 4. PERFORMANCE SPECIFICATIONS:  
 CURRENT RATING: 3 AMPS MAX.  
 INSULATION RESISTANCE: 5000 MEGOHMS MIN.  
 DWV: 600 VAC  
 TEMPERATURE RATING: -55°C TO 125°C

- 2 MATERIALS:  
 INSULATOR: PPS PER MIL-M-24519 GST-40F, COLOR: BLACK  
 SOCKET CONTACTS: C21000 COPPER ALLOY PER ASTM B36, GOLD PLATED PER ASTM B488  
 WIRES: 28 AWG PER NEMA-HP3-EXBCB, COLOR CODE PER MIL-STD-681  
 GUIDE PIN: PASSIVATED STAINLESS STEEL, 300 SERIES

1. MARKING: BAG AND TAG: "UMI", DATE CODE, UMI PART NUMBER, UMI WORK ORDER NUMBER

NOTES: UNLESS OTHERWISE SPECIFIED.

QUALITY SYMBOLS CRITICAL MAJOR NO SYMBOLS = MINOR DIMENSIONS	UNLESS OTHERWISE SPECIFIED: ALL DIMENSIONS ARE IN INCHES	SCALE <b>6:1</b>	DWG SIZE <b>B</b>	THIRD ANGLE PROJECTION	<b>REVISE ON CAD ONLY</b>	
	GENERAL TOLERANCES:  3 PLACES ±.005 2 PLACES ±.01 ANGULAR ±2°	DRAWN BY & DATE <b>DU 2/25/20</b>		TITLE: <b>MICRO STRIP CONNECTOR, SR02S1-28E5-12.0</b>		
	ULTI-MATE CAGE CODE <b>58967</b>	CHECKED BY & DATE <b>DW 2/25/20</b>		MATERIAL: <b>2</b>	ENG PROJECT #: <b>NONE</b>	<b>Ulti-Mate Connector Inc.</b>
		APPROVED BY & DATE <b>DW 2/25/20</b>		PART NO. <b>837022531</b>	DRAWING NO. <b>SD-837022531</b>	SHEET NO. <b>1 of 1</b>
		CAD FILE NAME <b>SD-837022531.slddrw</b>		THIS DRAWING CONTAINS INFORMATION THAT IS PROPRIETARY TO ULTI-MATE INCORPORATED AND SHOULD NOT BE USED WITHOUT WRITTEN PERMISSION.		