

10

9

8

7

6

5

4

3

2

SD-837021060

PART REV	DWG ISSUE	DATE	ECN NO.	APPVD BY	REL BY
-	-	5/8/18	UMI6763	DW	DW

F

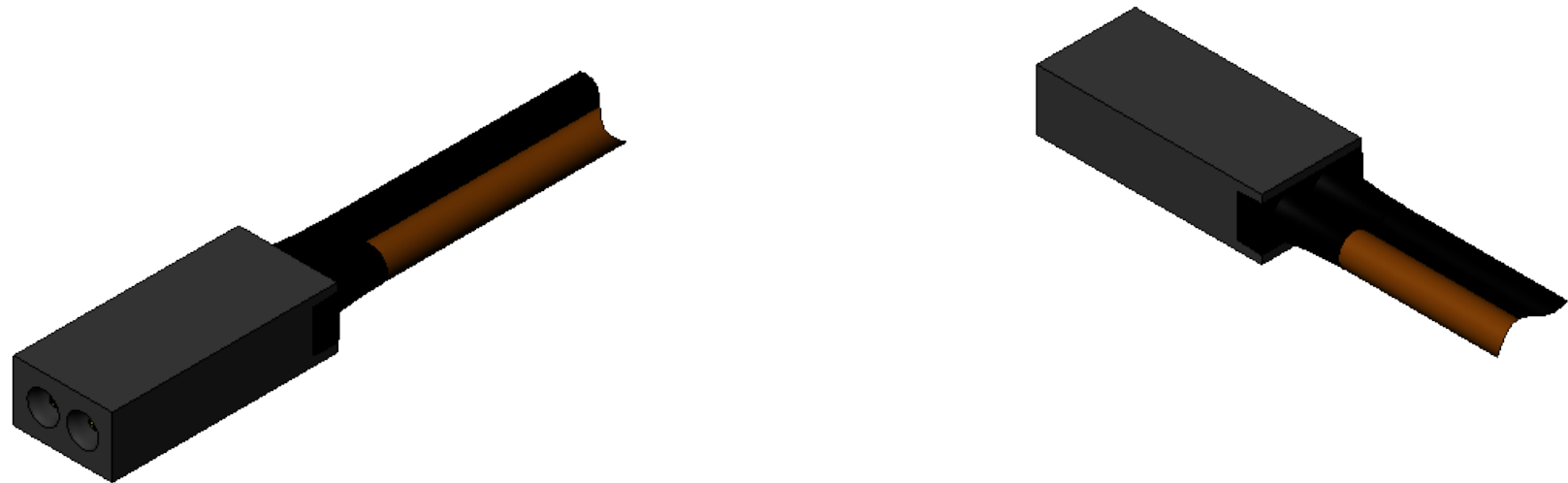
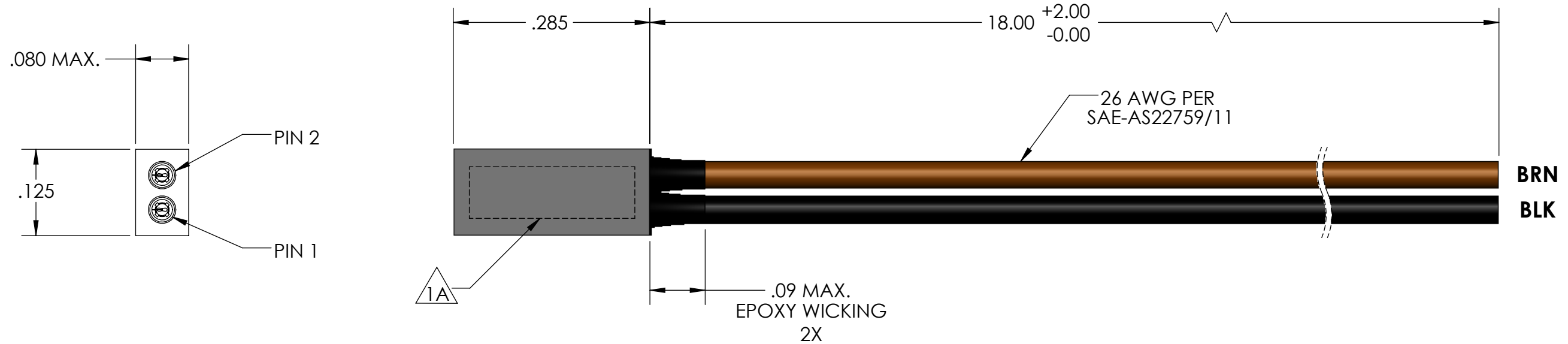
E

D

C

B

A



4. CONTACT HEIGHTS ARE TO BE PER QA-STD-101.

3. PERFORMANCE SPECIFICATIONS:
CURRENT RATING: 3 AMPS MAX.
DWV: 600 VAC
TEMPERATURE RATING: 125° C

2 MATERIALS:
INSULATOR: PPS PER MIL-M-24519 GST-40F, COLOR: BLACK
PIN CONTACTS: C17200 BERYLLIUM COPPER PER ASTM B194, GOLD PLATED PER ASTM-B488
WIRE: 26 AWG PER SAE-AS22759/11, COLOR CODE: PER MIL-STD-681

1. MARKING:

1A DATE CODE

1B. BAG AND TAG WITH "UMI", DATE CODE, UMI PART NUMBER, UMI WORKORDER NUMBER

NOTES: UNLESS OTHERWISE SPECIFIED.

QUALITY SYMBOLS CRITICAL MAJOR NO SYMBOLS = MINOR DIMENSIONS	UNLESS OTHERWISE SPECIFIED; ALL DIMENSIONS ARE IN INCHES	SCALE 6:1	DWG SIZE B	THIRD ANGLE PROJECTION	REVISE ON CAD ONLY	
	GENERAL TOLERANCES: 3 PLACES ±.005 2 PLACES ±.01 ANGULAR ±2°	DRAWN BY & DATE DU 4/30/18		TITLE: MICRO STRIP CONNECTOR, SR02P0-26M5-18.0		
		CHECKED BY & DATE DW 4/30/18		MATERIAL: 2	ENG PROJECT #: E374	
		APPROVED BY & DATE DW 4/30/18		PART NO. 837021060	DRAWING NO. SD-837021060	
	ULTI-MATE CAGE CODE 58967	CAD FILE NAME SD-837021060.SLDDRW	THIS DRAWING CONTAINS INFORMATION THAT IS PROPRIETARY TO ULTI-MATE INCORPORATED AND SHOULD NOT BE USED WITHOUT WRITTEN PERMISSION.			