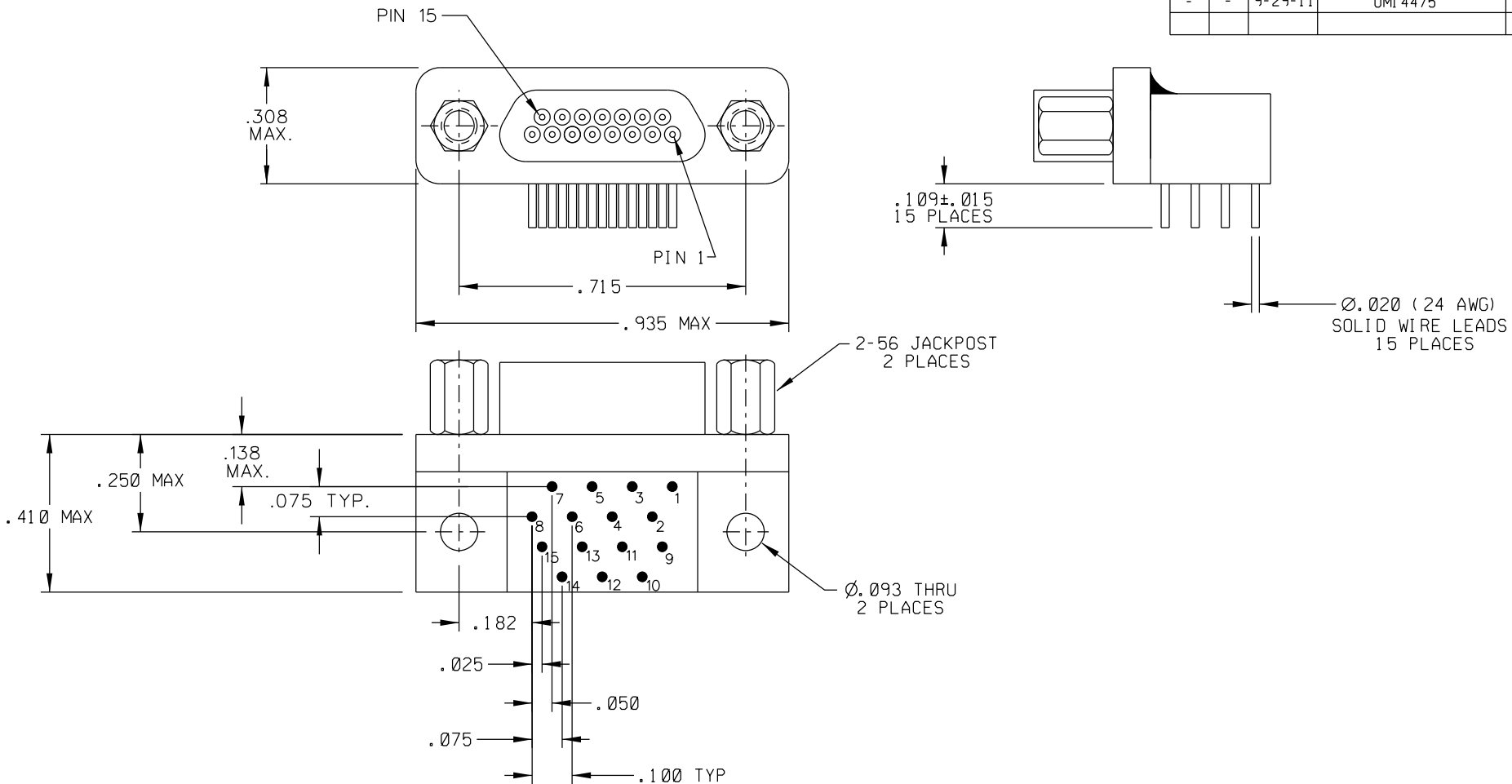


PART REV	DWG ISSUE	DATE	ECN NO.	APPVD BY	REL BY
-	-	9-29-11	UMI 4475		



2 MATERIALS:
 BACKSHELL AND BODY/INSULATOR: PPS PER MIL-M-24519 GST-40F, COLOR: BLACK
 PIN CONTACTS: C17200 BERYLLIUM COPPER PER ASTM B194,
 GOLD PLATED PER ASTM B488
 HARDWARE: STAINLESS STEEL IAW MIL-DTL-83513, PASSIVATED
 SOLID WIRE LEADS: COPPER ALLOY, TIN PLATED PER ASTM B545

1. MARKING: UMI, DATE CODE, UMI P/N.
 NOTES: UNLESS OTHERWISE SPECIFIED.

QUALITY SYMBOLS MAJOR = CRITICAL = SPC =	UNLESS SPECIFIED: ALL DIMENSIONS IN INCHES GENERAL TOLERANCES: 3 PLACE ± .005 2 PLACE ± .01 ANGULAR ± 2°	SCALE 4 : 1 DWG SIZE B THIRD ANGLE PROJECTION	REVISE ON CAD ONLY		
	DRAWN BY & DATE DW 9-29-11	TITLE: MICRO-D CIRCUIT, PIN CONTACTS, PLASTIC SHELL, STYLE 8 BACKSHELL, CB8R15P07			
	CHECKED BY & DATE	MATERIAL:			
	APPROVED BY & DATE	Uti-Mate Connector Inc.			
Uti-Mate CAGE CODE 58967		CAD FILENAME SD-836728817.DGN	PART NO. 836728817	DRAWING NO. SD-836728817	SHEET NO. 1 OF 1
THIS DRAWING CONTAINS INFORMATION THAT IS PROPRIETARY TO ULTI-MATE INCORPORATED AND SHOULD NOT BE USED WITHOUT WRITTEN PERMISSION.					REV -