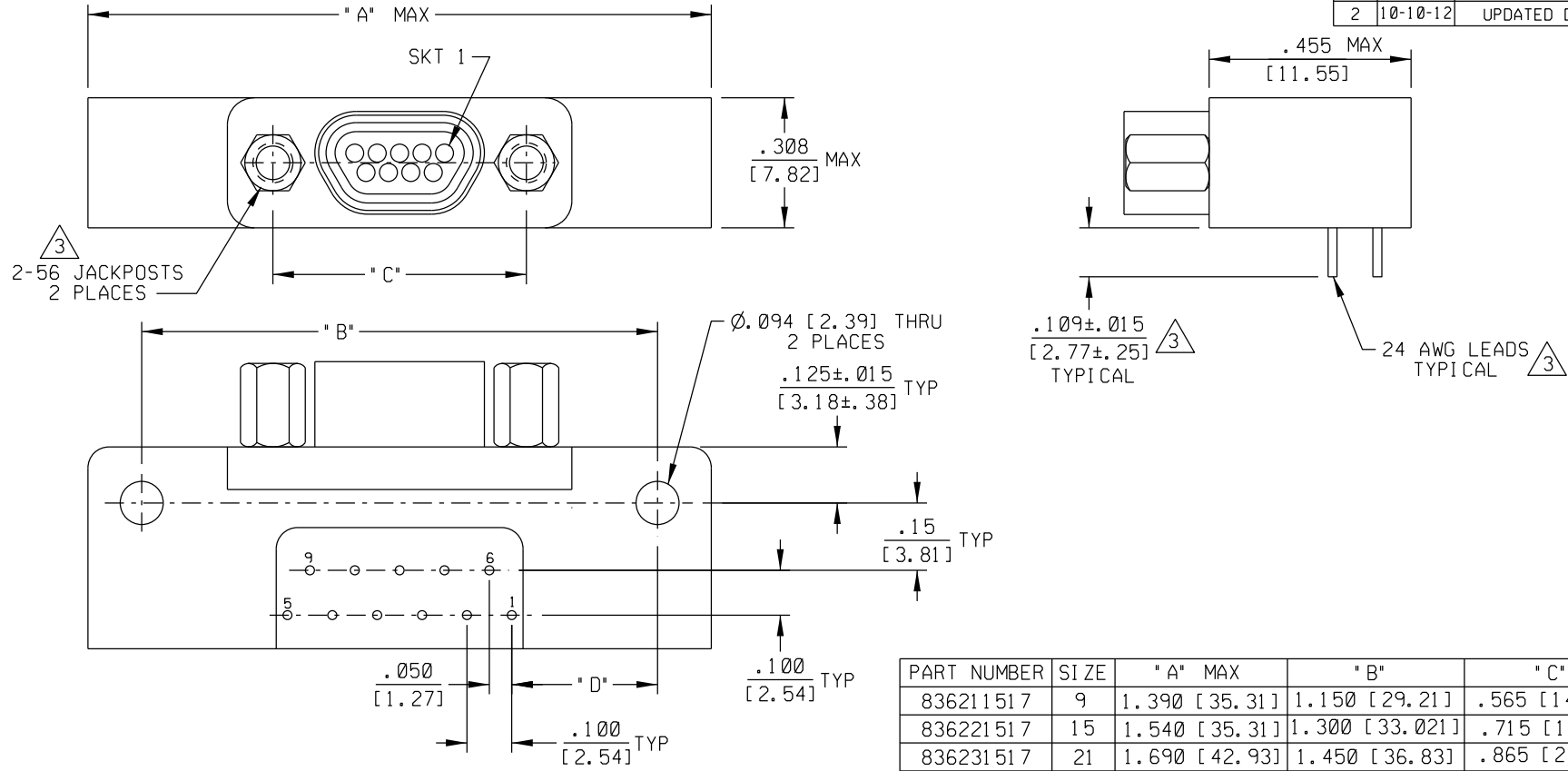


DWG ISSUE	DATE	REVISION	APPVD BY	REL BY
1	11-8-11	INITIAL RELEASE		
2	10-10-12	UPDATED DRAWING		



PART NUMBER	SIZE	"A" MAX	"B"	"C"	"D"
836211517	9	1.390 [35.31]	1.150 [29.21]	.565 [14.35]	.375 [9.53]
836221517	15	1.540 [35.31]	1.300 [33.021]	.715 [18.16]	.300 [7.62]
836231517	21	1.690 [42.93]	1.450 [36.83]	.865 [21.97]	.225 [5.72]
836241517	25	1.740 [44.20]	1.550 [39.37]	.965 [24.51]	.175 [4.45]
836251517	31	2.040 [51.82]	1.800 [45.72]	1.115 [28.32]	.150 [3.81]
836261517	37	2.340 [59.44]	2.100 [53.34]	1.265 [32.13]	.150 [3.81]

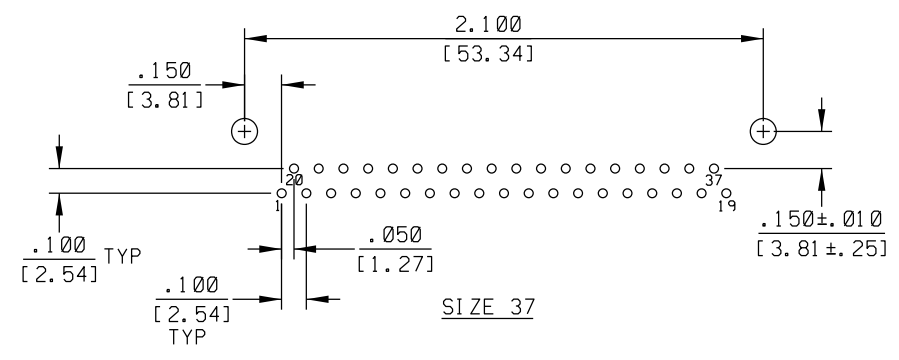
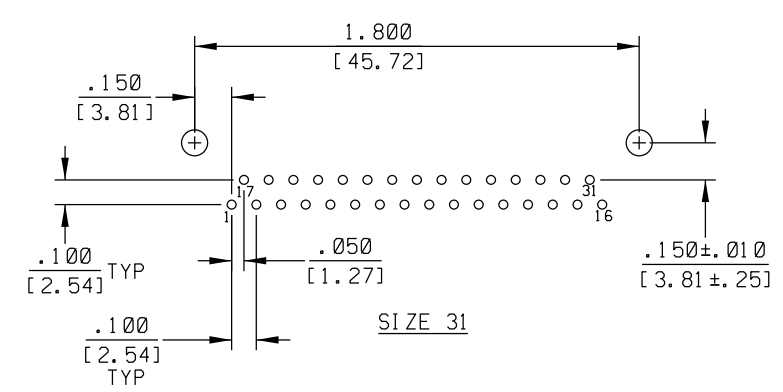
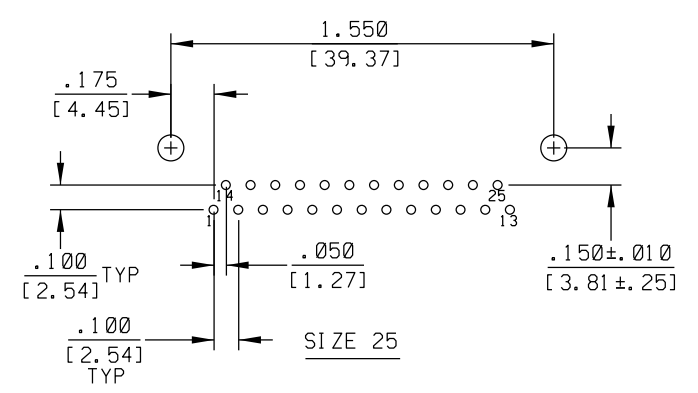
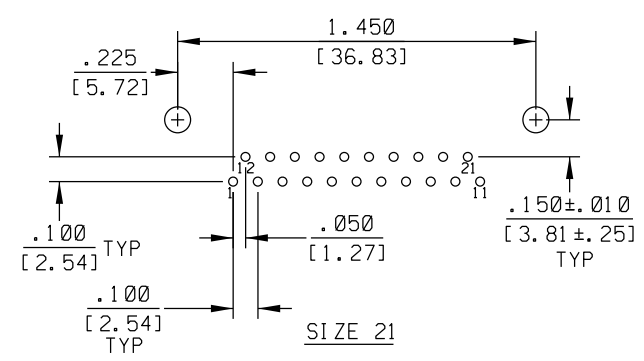
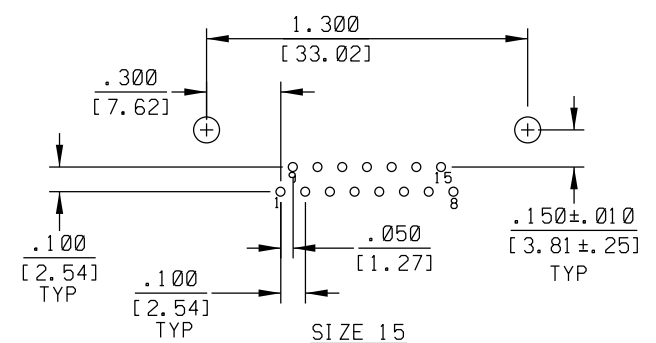
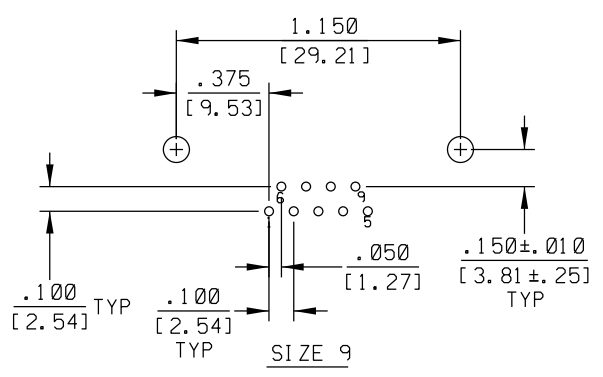
- 5. PERFORMANCE: MEETS OR EXCEEDS REQUIREMENTS OF MIL-DTL-83513
- 4. SEE SHEET 2 FOR RECOMMENDED PCB LAYOUTS
- 3. CONSULT FACTORY FOR AVAILABLE OPTIONS
- 2. MATERIALS:
 - SHELL: 6061-T6 ALUMINUM PER SAE-AMS-QQ-A200/8, NICKEL PLATED PER AMS 2404
 - SOCKET CONTACTS: C21000 BRASS ALLOY PER ASTM B36, GOLD PLATED PER ASTM B488
 - BACKSHELL AND INSULATOR: PPS PER MIL-M-24519 GST-40F, COLOR: BLACK
 - 24 AWG LEADS: TIN PLATED COPPER PER A-A-59551 TYPE S
 - HARDWARE: PASSIVATED STAINLESS STEEL IAW MIL-DTL-83513/5
 - INTERFACIAL SEAL: FLUOROSILICONE PER MIL-R-25988

1. MARKINGS: "UMI", UMI DATE CODE, AND UMI PART NO.
 NOTES: UNLESS OTHERWISE SPECIFIED.

QUALITY SYMBOLS MAJOR = CRITICAL = SPC =	UNLESS SPECIFIED: ALL DIMENSIONS IN INCHES/MM	SCALE: 4:1 DWG SIZE: B	THIRD ANGLE PROJECTION	REVISE ON CAD ONLY		
	GENERAL TOLERANCES: 3 PLACE ±.005/.13 2 PLACE ±.01/.25 ANGULAR ±2°	DRAWN BY & DATE: DW 11-8-11	TITLE: CIRCUIT CONNECTOR, RECEPTACLE, STYLE 5 (2 ROW .100 X .100), SIZES 9 THRU 37, CM5RXXS07-S01			
	Uti-Mate CAGE CODE 58967	CHECKED BY & DATE	MATERIAL: Uti-Mate Connector Inc.			
		APPROVED BY & DATE	CAD FILENAME: SD-8362X1517-1.DGN	PART NO. SEE CHART	DRAWING NO. SD-8362X1517	SHEET NO. 1 OF 2 DWG ISS. 2

THIS DRAWING CONTAINS INFORMATION THAT IS PROPRIETARY TO ULTI-MATE INCORPORATED AND SHOULD NOT BE USED WITHOUT WRITTEN PERMISSION.

DWG ISSUE	DATE	REVISION	APPVD BY	REL BY
		SEE SHEET 1		



SEE SHEET 1

NOTES: UNLESS OTHERWISE SPECIFIED

QUALITY SYMBOLS MAJOR CRITICAL SPC	UNLESS SPECIFIED: ALL DIMENSIONS IN INCHES/MM	SCALE NONE DWG SIZE B	THIRD ANGLE PROJECTION	REVISE ON CAD ONLY		
	GENERAL TOLERANCES: 3 PLACE ±.005/.13 2 PLACE ±.01/.25 ANGULAR ±2°	DRAWN BY & DATE DW 11-8-11	TITLE: RECOMMENDED PCB LAYOUTS, CIRCUIT CONNECTOR, RECEPTACLE, STYLE 5 (.100 X .100), SIZES 9 THRU 37			
	Ulti-Mate CAGE CODE 58967	CHECKED BY & DATE	APPROVED BY & DATE	MATERIAL: SEE SHEET 1	Ulti-Mate Connector Inc.	SHEET NO. 2 OF 2
		CAD FILENAME SD-8362X1517-2.DGN	PART NO. SEE SHEET 1	DRAWING NO. SD-8362X1517	THIS DRAWING CONTAINS INFORMATION THAT IS PROPRIETARY TO ULTI-MATE INCORPORATED AND SHOULD NOT BE USED WITHOUT WRITTEN PERMISSION.	