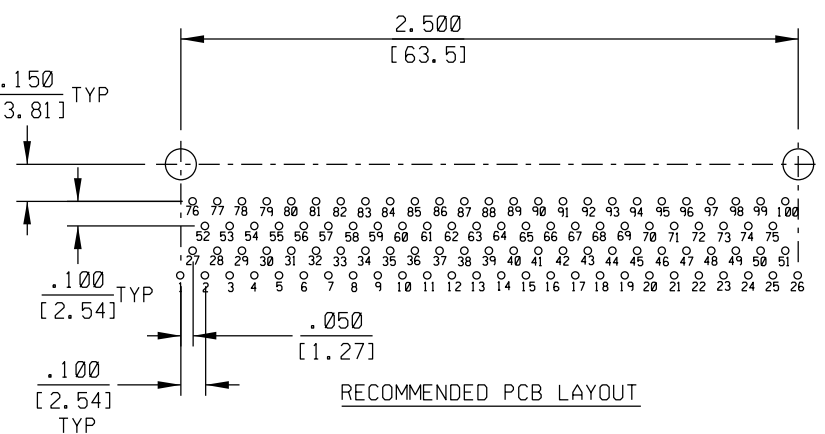
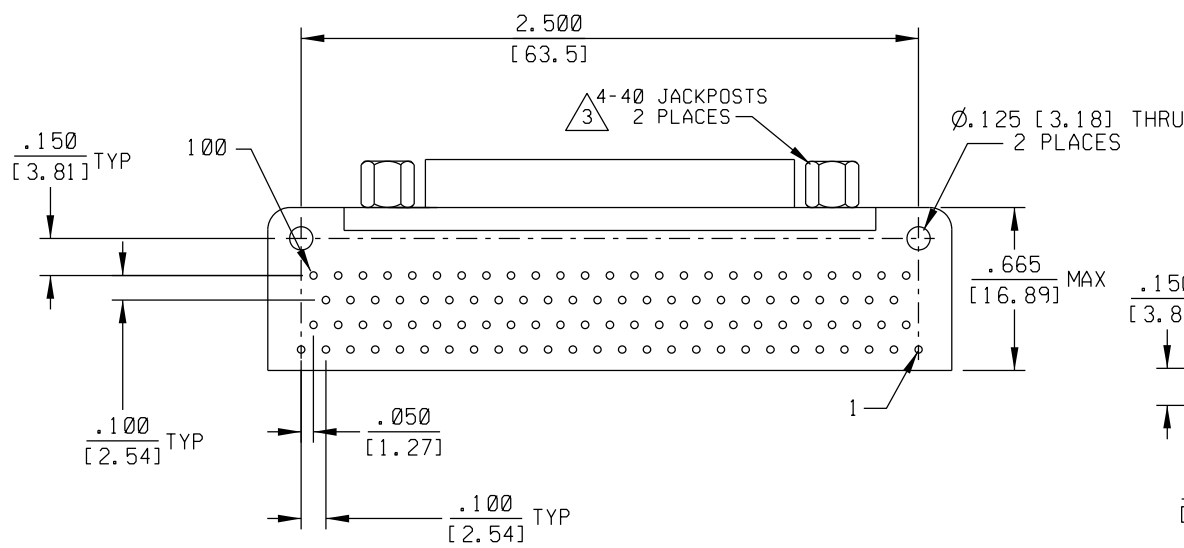
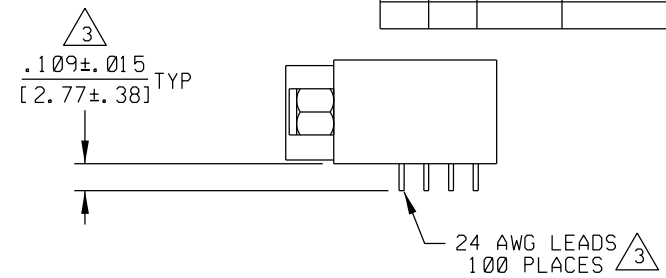
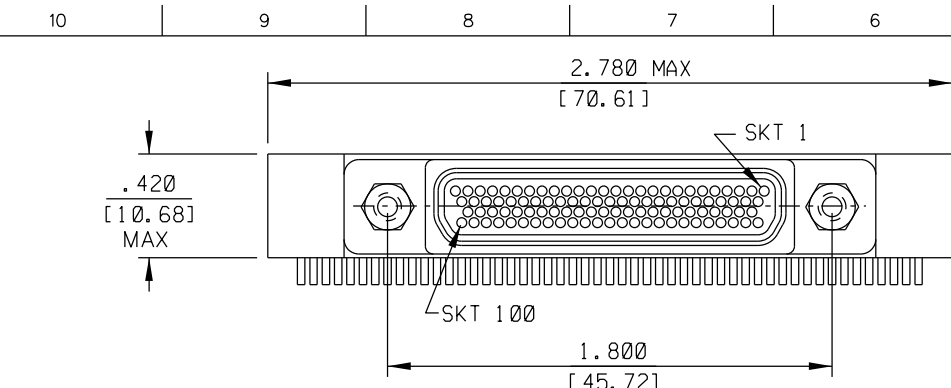


PART REV	DWG ISSUE	DATE	ECN NO.	APPVD BY	REL BY



- 4. PERFORMANCE: MEETS OR EXCEEDS REQUIREMENTS OF MIL-DTL-83513
  - 3 CONSULT FACTORY FOR AVAILABLE OPTIONS
  - 2 MATERIALS:  
 SHELL: 6061-T6 ALUMINUM PER SAE-AMS-QQ-A200/8, NICKEL PLATED PER AMS 2404  
 INSULATOR AND BACKSHELL: PPS PER MIL-M-24519 GST-40F, COLOR: BLACK  
 SOCKET CONTACTS: C21000 BRASS ALLOY PER ASTM B36, GOLD PLATED PER ASTM B488  
 24 AWG LEADS: TIN PLATED COPPER PER A-A-59551 TYPE S  
 HARDWARE: PASSIVATED STAINLESS STEEL IAW MIL-DTL-83513/5  
 INTERFACIAL SEAL: FLUOROSILICONE PER MIL-R-25988
  - 1. MARKINGS: "UMI", UMI DATE CODE, AND UMI PART NUMBER
- NOTES: UNLESS OTHERWISE SPECIFIED

QUALITY SYMBOLS MAJOR = CRITICAL = SPC =	UNLESS SPECIFIED: ALL DIMENSIONS IN INCHES/MM GENERAL TOLERANCES: 3 PLACE ±.005/.13 2 PLACE ±.01/.25 ANGULAR ±2°	SCALE: 2:1 DWG SIZE: B THIRD ANGLE PROJECTION	REVISE ON CAD ONLY
	UMI-Mate CAGE CODE: 58967	DRAWN BY & DATE: DW 11-8-11 CHECKED BY & DATE: APPROVED BY & DATE:	TITLE: CIRCUIT CONNECTOR, RECEPTACLE, SIZE 100, STYLE 5 (.100 X .100), CM5R100S17-S01 MATERIAL:
THIS DRAWING CONTAINS INFORMATION THAT IS PROPRIETARY TO ULTI-MATE INCORPORATED AND SHOULD NOT BE USED WITHOUT WRITTEN PERMISSION.			REV