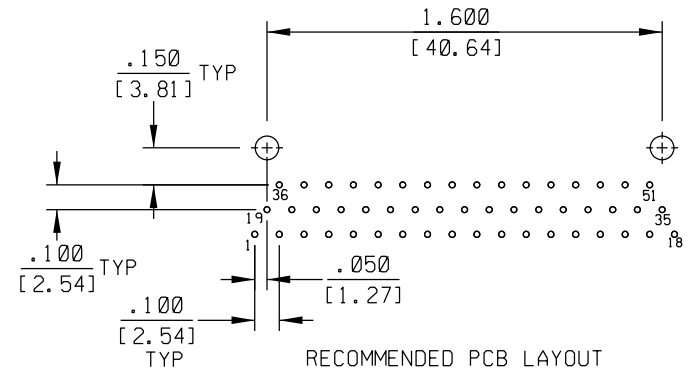
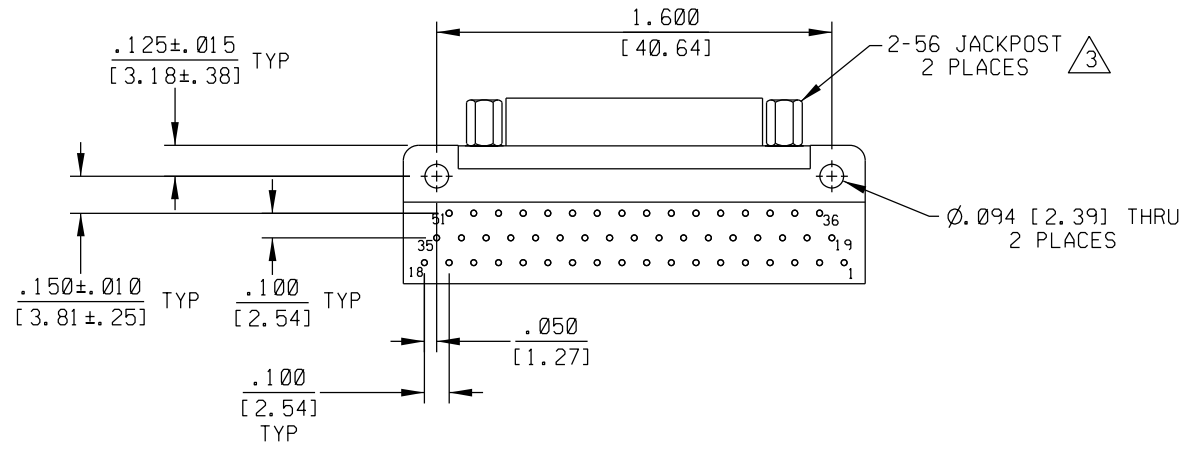
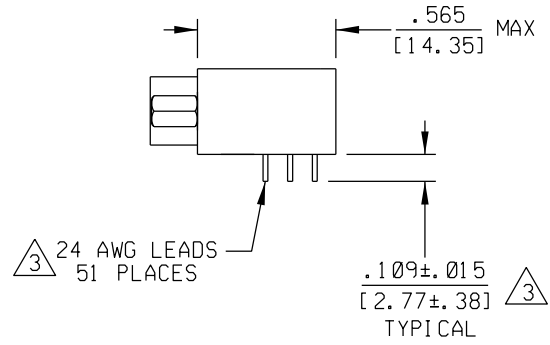
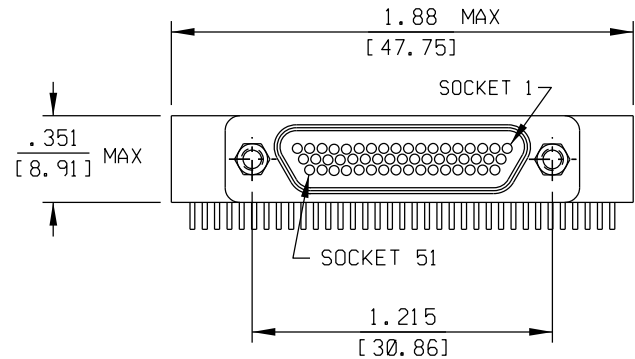


PART REV	DWG ISSUE	DATE	ECN NO.	APPVD BY	REL BY



4. PERFORMANCE: MEETS OR EXCEEDS REQUIREMENTS OF MIL-DTL-83513

3 CONSULT FACTORY FOR AVAILABLE OPTIONS

2. MATERIALS:
- SHELL: 6061-T6 ALUMINUM PER SAE-AMS-QQ-A200/8, NICKEL PLATED PER AMS 2404
  - INSULATOR AND BACKSHELL: PPS PER MIL-M-24519 GST-40F, COLOR: BLACK
  - SOCKET CONTACTS: C21000 BRASS ALLOY PER ASTM B36, GOLD PLATED PER ASTM B488
  - HARDWARE: PASSIVATED STAINLESS STEEL IAW MIL-DTL-83513/5
  - 24 AWG LEADS: TIN PLATED COPPER PER A-A-59551 TYPE S
  - INTERFACIAL SEAL: FLUOROSILICONE PER MIL-R-25988
1. MARKING: "UMI", UMI DATE CODE, AND UMI PART NUMBER

NOTES: UNLESS OTHERWISE SPECIFIED.

<b>QUALITY SYMBOLS</b> MAJOR ▽ = 0 CRITICAL ▽/C = 0 SPC ▽/S = 0	UNLESS SPECIFIED: ALL DIMENSIONS IN INCHES/MM	SCALE 2:1 DWG SIZE B	THIRD ANGLE PROJECTION	REVISE ON CAD ONLY		
	GENERAL TOLERANCES: 3 PLACE ±.005/.13 2 PLACE ±.01/.25 ANGULAR ±2°	DRAWN BY & DATE DW 11-9-11	TITLE: CIRCUIT CONNECTOR, RECEPTACLE, STYLE 5 (.100 X .100 2 ROW), SIZE 51-3 (CM5R51-3S07-S01)			
	Ulti-Mate CAGE CODE <b>58967</b>	CHECKED BY & DATE	MATERIAL: 2 3		Ulti-Mate Connector Inc.	
	APPROVED BY & DATE	CAD FILENAME SD-836271 517.DGN	PART NO. 836271 517	DRAWING NO. SD-836271 517	SHEET NO. 1 OF 1	
THIS DRAWING CONTAINS INFORMATION THAT IS PROPRIETARY TO ULTI-MATE INCORPORATED AND SHOULD NOT BE USED WITHOUT WRITTEN PERMISSION.						