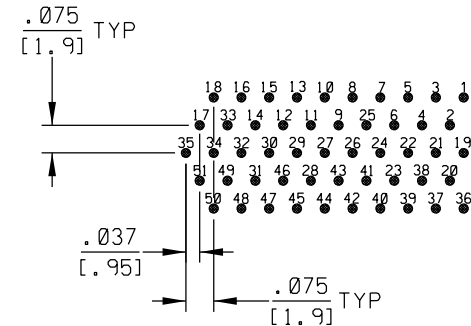
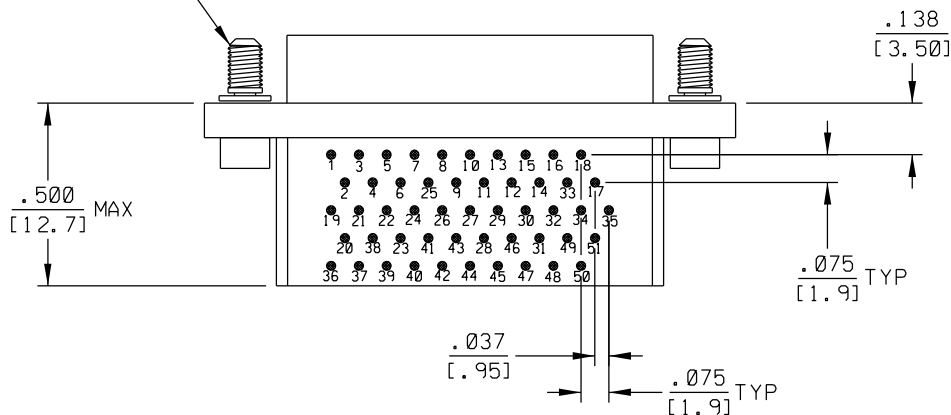
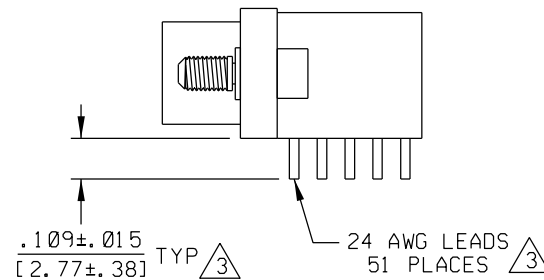
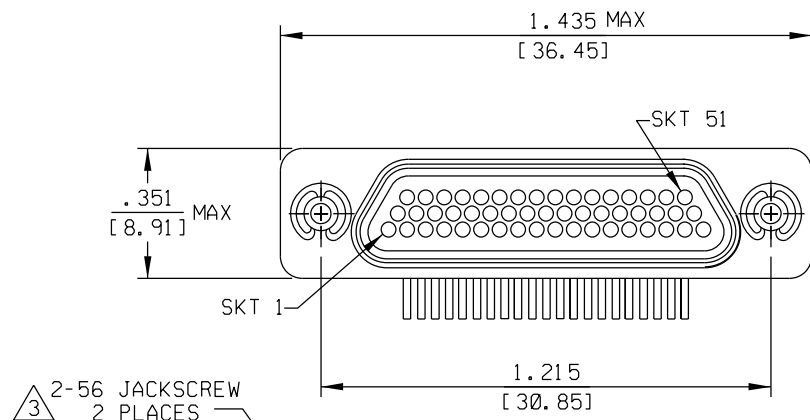


PART REV	DWG ISSUE	DATE	ECN NO.	APPVD BY	REL BY



RECOMMENDED PCB LAYOUT

4. PERFORMANCE: MEETS OR EXCEEDS REQUIREMENTS OF MIL-DTL-83513

3 CONSULT FACTORY FOR AVAILABLE OPTIONS

2 MATERIALS:
 SHELL: 6061-T6 ALUMINUM PER SAE-AMS-QQ-A200/8, NICKEL PLATED PER AMS 2404
 INSULATOR AND BACKSHELL: PPS PER MIL-M-24519 GST-40F, COLOR: BLACK
 SOCKET CONTACTS: C21000 BRASS ALLOY PER ASTM B36, GOLD PLATED PER ASTM B488
 24 AWG LEADS: TIN PLATED COPPER PER A-A-59551 TYPE S
 HARDWARE: PASSIVATED STAINLESS STEEL IAW MIL-DTL-83513/5
 INTERFACIAL SEAL: FLUROSILICONE PER MIL-R-25988

1. MARKING: UMI, DATE CODE, UMI P/N.

NOTES: UNLESS OTHERWISE SPECIFIED.

QUALITY SYMBOLS MAJOR ∇ = 0 CRITICAL ∇ C = 0 SPC ∇ S = 0	UNLESS SPECIFIED: ALL DIMENSIONS IN INCHES/MM	SCALE 3:1	DWG SIZE B	THIRD ANGLE PROJECTION	REVISE ON CAD ONLY
	GENERAL TOLERANCES: 3 PLACE ±.005/.13 2 PLACE ±.01/.25 ANGULAR ±2°	DRAWN BY & DATE DW 11-17-11		TITLE: CIRCUIT CONNECTOR, RECEPTACLE (SKTS), STYLE 18 (.075 X .075), SIZE 51-3, CMI 8R51-3S02-S01	
	UMI-Mate CAGE CODE 58967	CHECKED BY & DATE		MATERIAL: \triangle 2 \triangle 3 Uti-Mate Connector Inc.	
		APPROVED BY & DATE	CAD FILENAME SD-836271 01 2.DGN	PART NO. 836271012	DRAWING NO. SD-836271012
THIS DRAWING CONTAINS INFORMATION THAT IS PROPRIETARY TO ULTI-MATE INCORPORATED AND SHOULD NOT BE USED WITHOUT WRITTEN PERMISSION.					