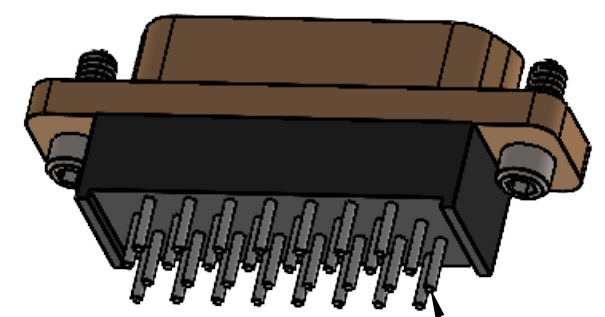
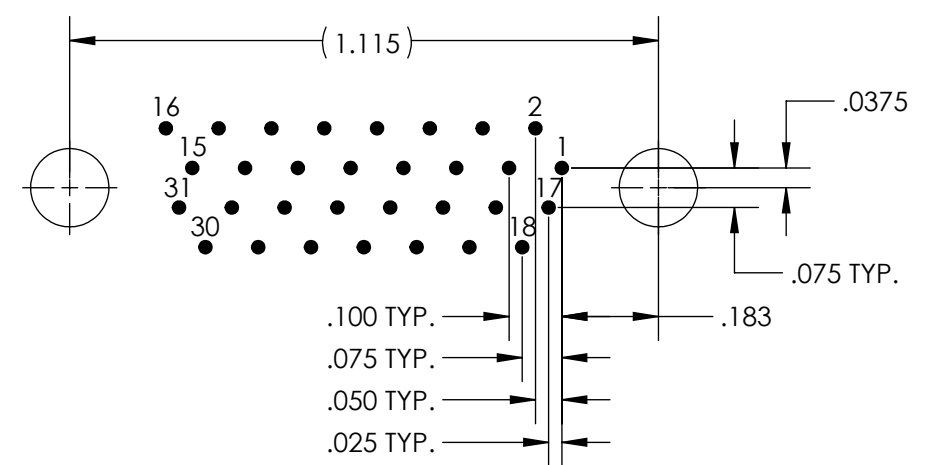


REVISIONS			
PART REV.	DWG. ISSUE	DATE	ECN NO.
-	-	10/11/22	UMI8153

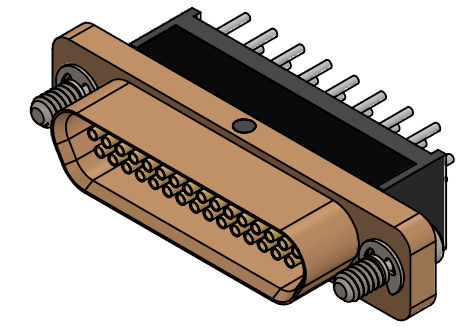
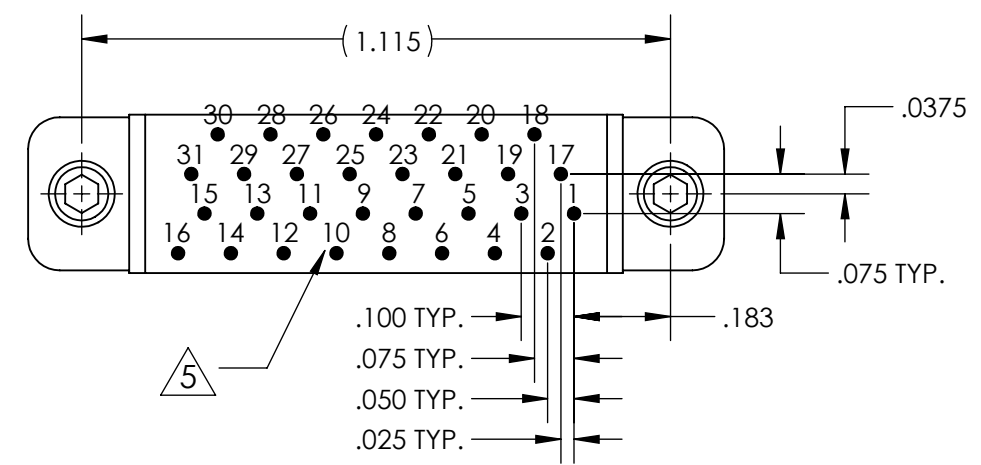
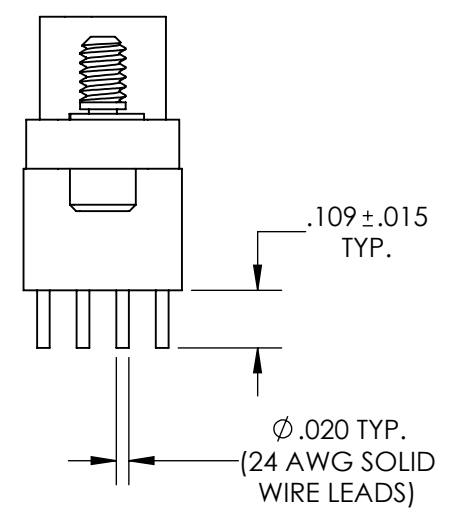
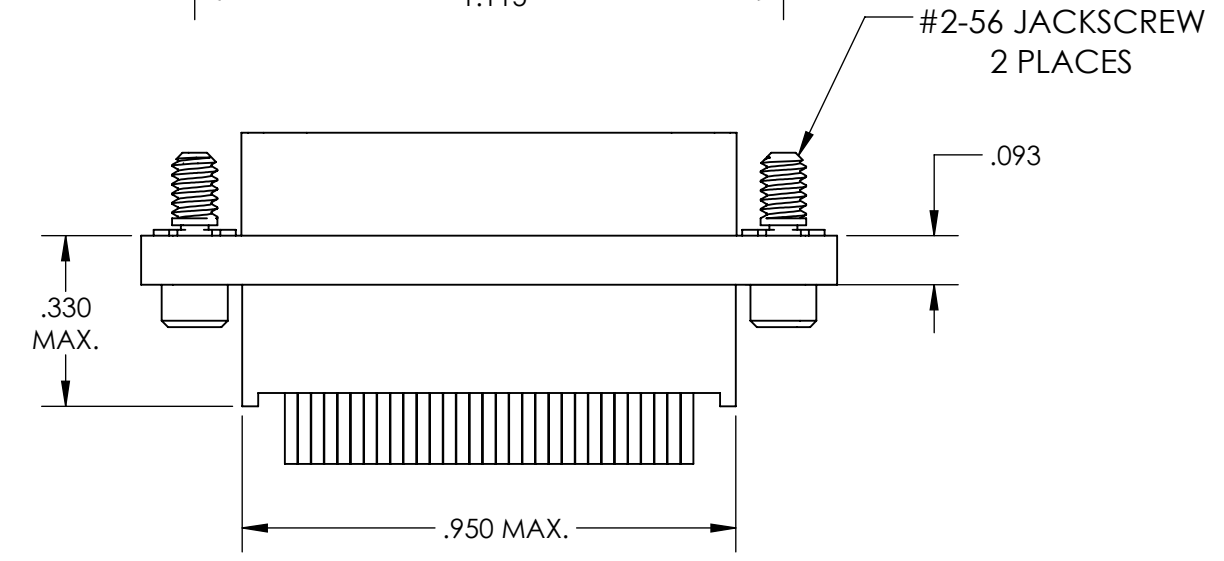
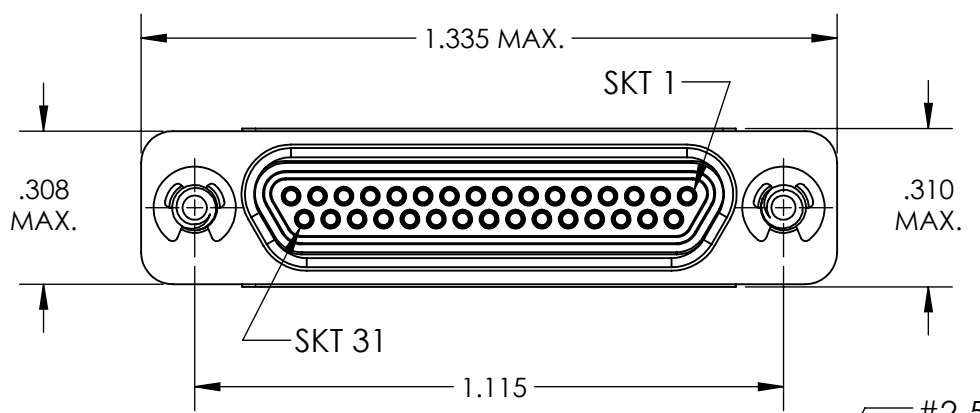


POSITION 1

**PCB VIEW**



**RECOMMENDED PCB LAYOUT**



- 6. CONTACT HEIGHTS ARE TO BE PER QA-STD-101.
- 5. NUMBERS (LEAD LOCATIONS) ARE SHOWN FOR REFERENCE ONLY AND DO NOT APPEAR ON ACTUAL PART.
- 4. PERFORMANCE SPECIFICATIONS:  
CONTACTS CURRENT RATING: 3A MAX.  
INSULATION RESISTANCE: 5000 MΩ MIN.  
DWV: 600 VAC  
TEMPERATURE RATING: -55°C TO 125°C
- 3. MATERIALS:  
SHELL: 6061-T6 ALUMINUM PER AMS-QQ-A200/8, CADMIUM PLATED PER AMS-QQ-P-416  
INSULATOR AND BACKSHELL: PPS PER MIL-M-24519 GST-40F, COLOR: BLACK  
SOCKET CONTACTS: C21000 BRASS ALLOY PER ASTM B36, GOLD PLATED PER ASTM B488,  
24 AWG LEADS: TIN PLATED COPPER ALLOY PER A-A-59551  
HARDWARE: PASSIVATED STAINLESS STEEL IAW MIL-DTL-83513/5  
INTERFACIAL SEAL: FLUOROSILICONE PER MIL-R-25988
- 2. MARKING: "UMI", DATE CODE, UMI P/N, AND UMI W/O NO.
- 1. CONNECTOR ASSEMBLY IS IAW MIL-DTL-83513 UNLESS OTHERWISE SPECIFIED

**NOTES: UNLESS OTHERWISE SPECIFIED**

QUALITY SYMBOLS CRITICAL MAJOR NO SYMBOL = MINOR DIMENSION	<b>UNLESS SPECIFIED:</b> ALL DIMENSIONS IN INCHES GENERAL TOLERANCES: 3 PLACE ±.005 2 PLACE ±.01 ANGULAR ±2° ALL EXTERNAL SPECIFICATIONS REFERENCED ON THIS DRAWING SHALL BE THE LATEST REVISION IN EFFECT UMI-Mate CAGE CODE <b>58967</b>	SCALE NONE DWG SIZE B	THIRD ANGLE PROJECTION	REVISE ON CAD ONLY		
	DRAWN BY N.DO	DATE DRAWN 10/11/2022	TITLE <b>MICRO-D CIRCUIT CONNECTOR, RECEPTACLE, STYLE 16, SIZE 3 CM16R31S02</b>	MATERIAL 3	ENG PROJECT # NONE	
	CAD FILENAME SD-836250712.slddrw	PART NO. 836250712	DRAWING NO. SD-836250712	SHEET NO. 1 OF 1	SHEET NO. 1 OF 1	PART REV. -
	THIS DRAWING CONTAINS INFORMATION THAT IS PROPRIETARY TO ULTI-MATE INCORPORATED AND SHOULD NOT BE USED WITHOUT WRITTEN PERMISSION.					