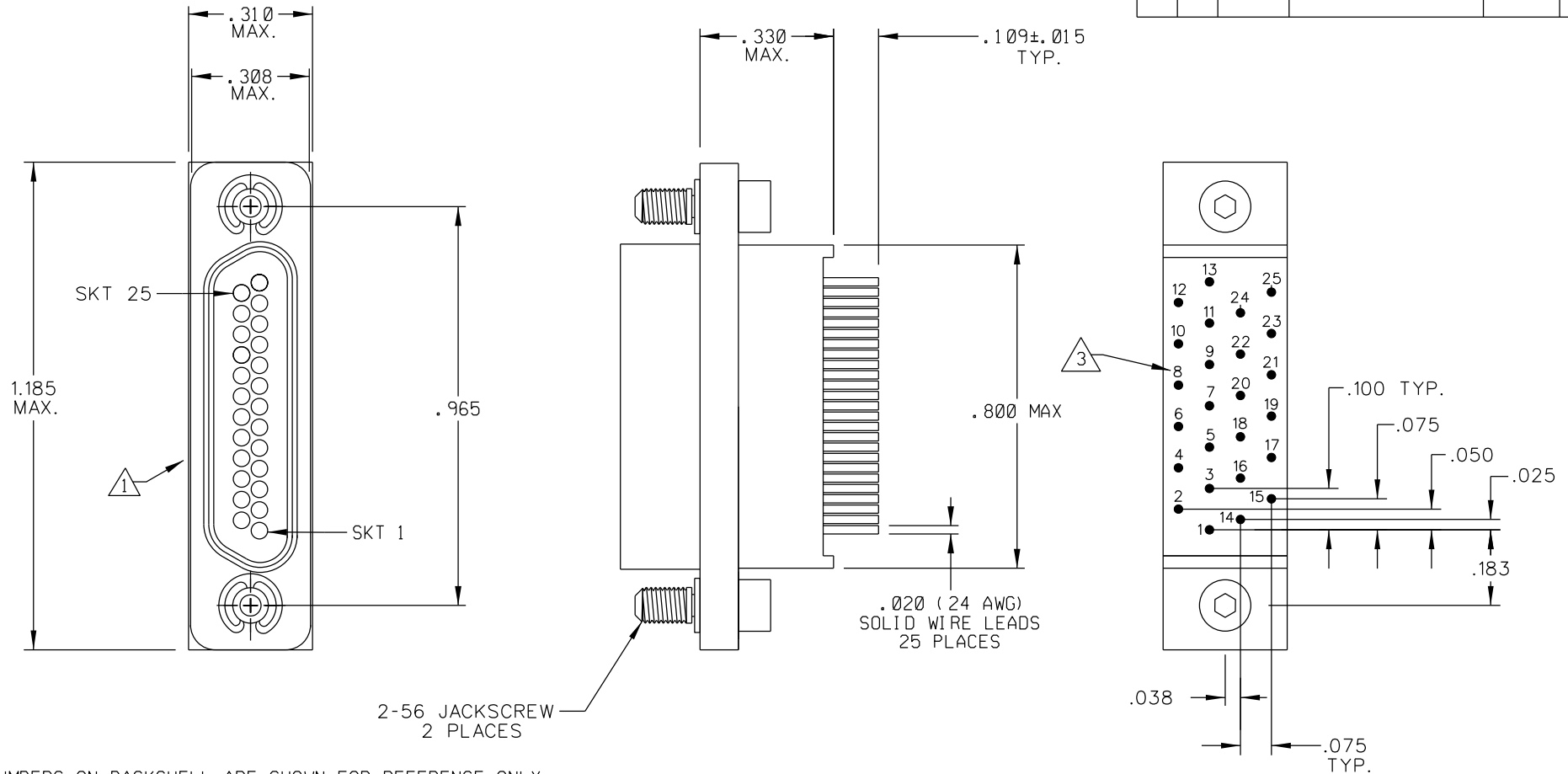


PART REV	DWG ISSUE	DATE	ECN NO.	APPVD BY	REL BY
-	-	4-18-13	UMI 4940	DW	DW



- 3 NUMBERS ON BACKSHELL ARE SHOWN FOR REFERENCE ONLY AND DO NOT APPEAR ON PART
 - 2 MATERIALS:
 SHELL: 6061-T6 ALUMINUM PER AMS-QQ-A200/8 CADMIUM PLATED PER AMS-QQ-P-416
 INSULATOR AND BACKSHELL: PPS PER MIL-M-24519 GST-40F
 SOCKET CONTACTS: COPPER ALLOY CDA 210 1/2 HARD GOLD PLATED PER ASTM B488-01
 24 AWG SOLID WIRE LEADS: TIN PLATED COPPER ALLOY
 HARDWARE: STAINLESS STEEL, PASSIVATED PER SAE-AMS-2700
 INTERFACIAL SEAL: FLOUROSILICONE PER MIL-R-25988
 - 1 MARKING: UMI, DATE CODE, UMI P/N AND WORK ORDER NUMBER ON SIDE OF BACKSHELL SHOWN ABOVE.
- NOTES: UNLESS OTHERWISE SPECIFIED.

QUALITY SYMBOLS CRITICAL SPECIAL KEY	UNLESS SPECIFIED: ALL DIMENSIONS IN INCHES GENERAL TOLERANCES: 3 PLACE ±.005 2 PLACE ±.01 ANGULAR ±2°	SCALE 4 : 1	DWG SIZE B	THIRD ANGLE PROJECTION	REVISE ON CAD ONLY		
	ALL EXTERNAL SPECIFICATIONS REFERENCED ON THIS DRAWING SHALL BE TO THE LATEST REVISION IN EFFECT Ulti-Mate CAGE CODE 58967	DRAWN BY & DATE DW 4-18-13 CHECKED BY & DATE SEE ECN APPROVED BY & DATE SEE ECN	TITLE: CIRCUIT CONNECTOR, RECEPTACLE, SIZE 25, STYLE 16 BACKSHELL, CMI 6R25S02		MATERIAL: Ulti-Mate Connector Inc.	PART NO. 836240712	DRAWING NO. SD-836240712
THIS DRAWING CONTAINS INFORMATION THAT IS PROPRIETARY TO ULTI-MATE INCORPORATED AND SHOULD NOT BE USED WITHOUT WRITTEN PERMISSION.		PART NO. 836240712		DRAWING NO. SD-836240712		SHEET NO. 1 OF 1	