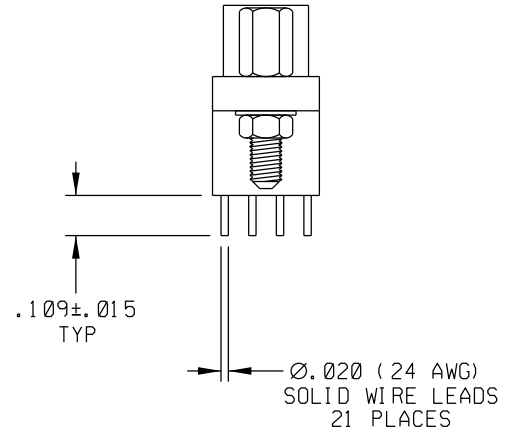
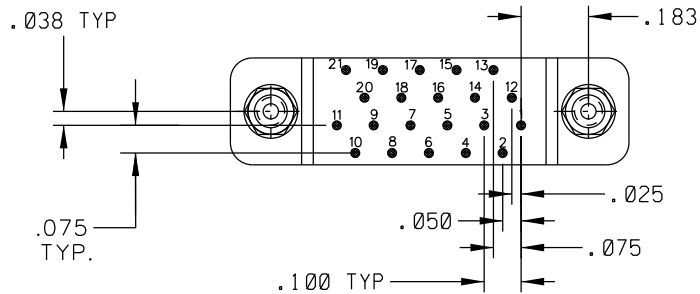
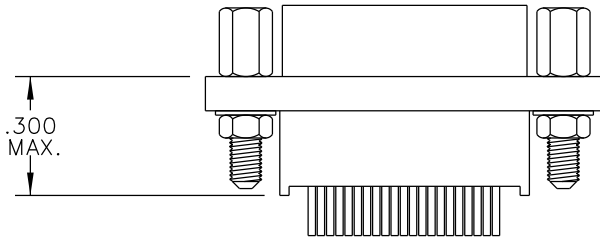
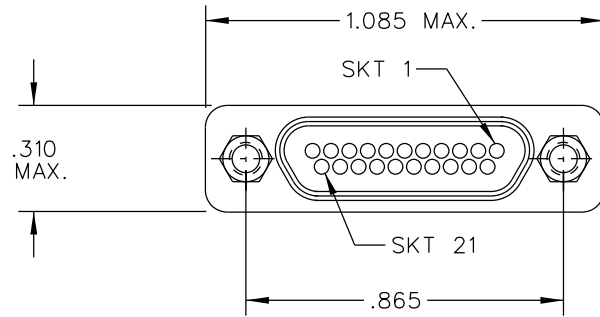


SD-836231 71 7

PART REV	DWG ISSUE	DATE	ECN NO.	APPVD BY	REL BY
-	-	5-14-12	UMI 4623		



- MATERIALS:**  
 SHELL: 6061-T6 ALUMINUM PER AMS-00-A200/8, NICKEL PLATED PER AMS 2404  
 INSULATOR AND BACKSHELL: PPS PER MIL-M-24519 GST-40F  
 SOCKET CONTACTS: C21000 BRASS ALLOY, 1/2 HARD, PER ASTM B36 GOLD PLATED PER ASTM B488  
 24 AWG SOLID WIRE LEADS: TIN PLATED COPPER ALLOY PER A-A-59551 TYPE S  
 HARDWARE: PASSIVATED STAINLESS STEEL IAW MIL-DTL-83513/5  
 INTERFACIAL SEAL: FLOUROSILICONE PER MIL-R-25988  
 1. MARKINGS: "UMI", UMI DATE CODE, AND UMI PART NUMBER  
 NOTES: UNLESS OTHERWISE SPECIFIED

<b>QUALITY SYMBOLS</b> MAJOR = CRITICAL = SPC =	UNLESS SPECIFIED: ALL DIMENSIONS IN INCHES GENERAL TOLERANCES: 3 PLACE ± .005 2 PLACE ± .01 ANGULAR ± 2°	SCALE 3:1 DWG SIZE B THIRD ANGLE PROJECTION	REVISE ON CAD ONLY TITLE: CIRCUIT RECEPTACLE, SIZE 21, STYLE 16 (VERT.) BACKSHELL CMI 6R21 S07-S01 MATERIAL:  Uti-Mate Connector Inc.	
	Uti-Mate CAGE CODE <b>58967</b>	DRAWN BY & DATE DW 5-14-12 CHECKED BY & DATE APPROVED BY & DATE	CAD FILENAME SD-836231 71 7.DGN PART NO. 836231 71 7 DRAWING NO. SD-836231 71 7 SHEET NO. 1 OF 1	THIS DRAWING CONTAINS INFORMATION THAT IS PROPRIETARY TO ULTI-MATE INCORPORATED AND SHOULD NOT BE USED WITHOUT WRITTEN PERMISSION.
				REV -