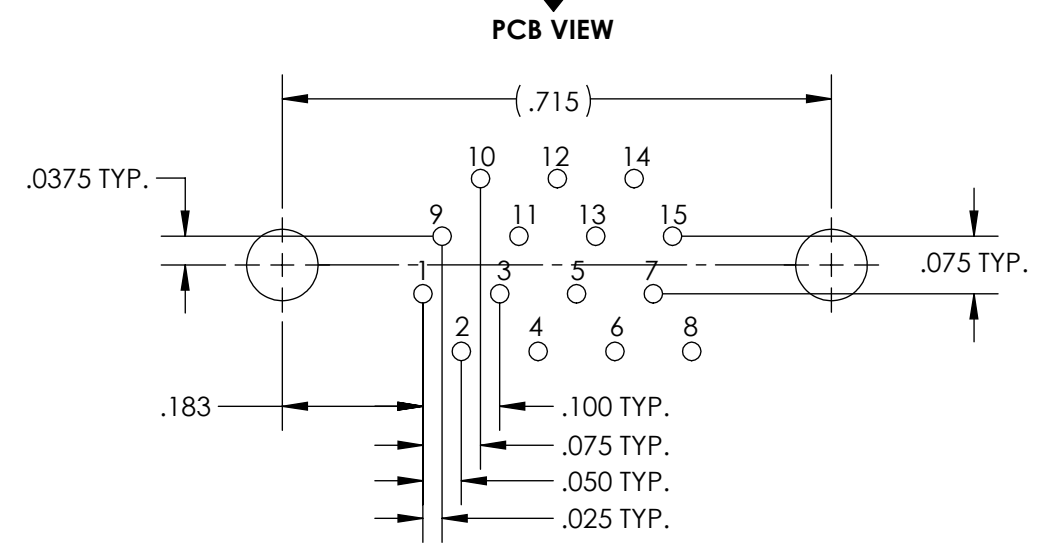
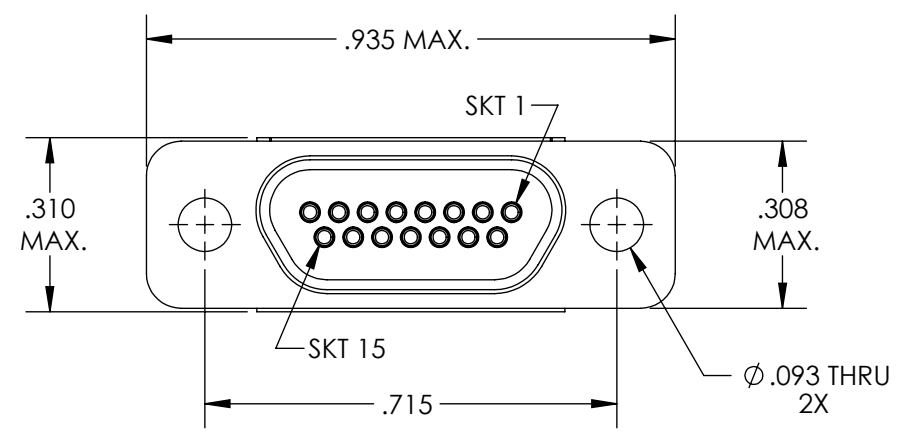
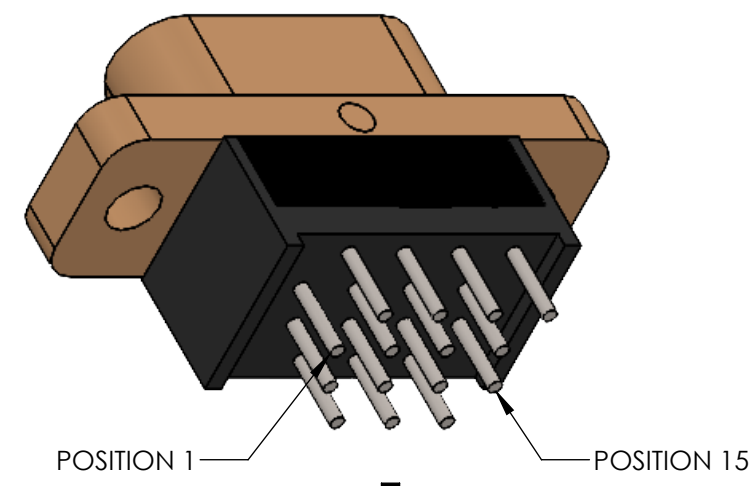
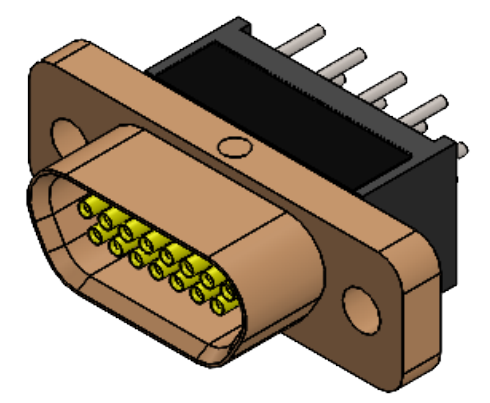
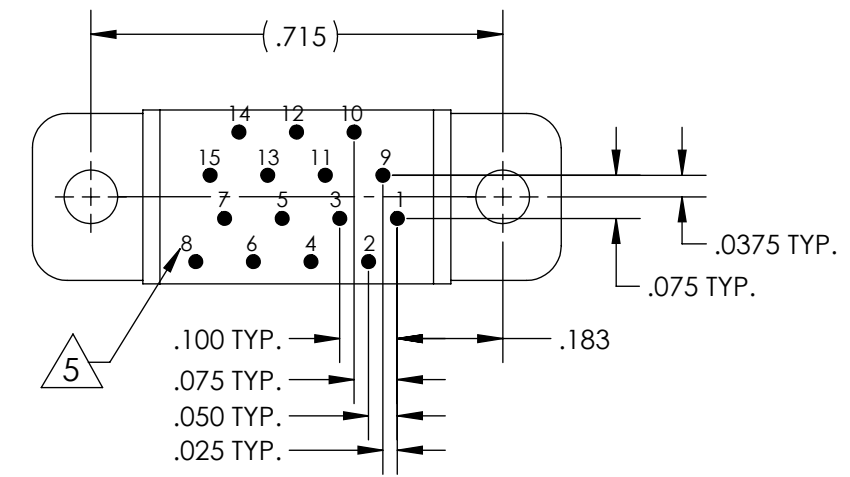
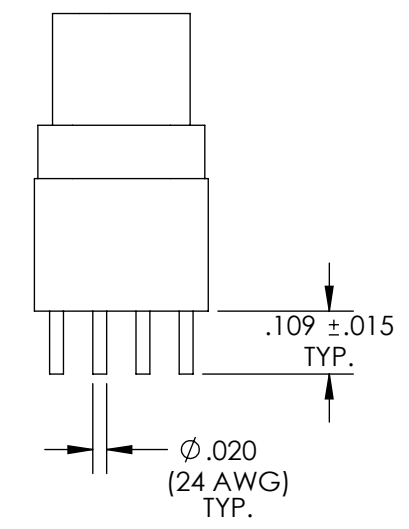
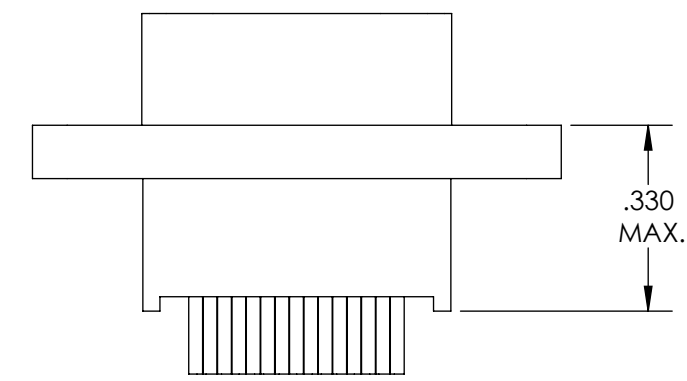


PART REV	DWG ISSUE	DATE	ECN NO.	APPVD BY	REL BY
-	-	12/23/20	UMI7632	DU	DW



**RECOMMENDED PCB LAYOUT**



- 6. CONTACT HEIGHTS ARE TO BE PER QA-STD-101.
- 5. NUMBERS, (LEAD LOCATIONS), ARE SHOWN FOR REFERENCE ONLY AND DO NOT APPEAR ON ACTUAL PART.
- 4. PERFORMANCE SPECIFICATIONS:  
CURRENT RATING: 3 AMPS MAX.  
DWV: 600 VAC  
TEMPERATURE RATING: -55°C TO 125°C
- 3. MATERIALS:  
SHELL: 6061-T6 ALUMINIUM PER AMS-QQ-A200/8, CADMIUM PLATED PER AMS-QQ-P-416  
INSULATOR AND BACKSHELL: PPS PER MIL-M-24519 GST-40F, COLOR: BLACK  
SOCKET CONTACTS: C21000 COPPER ALLOY PER ASTM B36, GOLD PLATED PER ASTM B488  
24 AWG LEADS: TIN PLATED COPPER ALLOY PER A-A-59551, TYPE S  
INTERFACIAL SEAL: FLOUROSILICONE PER MIL-R-25988
- 2. MARKING: "UMI", DATE CODE, UMI PART NUMBER, UMI WORK ORDER NUMBER
- 1. CONNECTOR ASSEMBLY IS IAW MIL-DTL-83513 WHERE APPLICABLE.

**NOTES: UNLESS OTHERWISE SPECIFIED.**

QUALITY SYMBOLS CRITICAL MAJOR NO SYMBOLS = MINOR DIMENSIONS	UNLESS OTHERWISE SPECIFIED: ALL DIMENSIONS ARE IN INCHES	SCALE <b>3:1</b>	DWG SIZE <b>B</b>	THIRD ANGLE PROJECTION	<b>REVISE ON CAD ONLY</b>	
	GENERAL TOLERANCES:  3 PLACES ±.005 2 PLACES ±.01 ANGULAR ±2°	DRAWN BY & DATE <b>DU 12/23/20</b>	TITLE: <b>MICRO-D CIRCUIT CONNECTOR, CM16R15S0, CADMIUM PLATED SHELL</b>			
	ULTI-MATE CAGE CODE <b>58967</b>	CHECKED BY & DATE <b>DW 12/23/20</b>	MATERIAL: <b>3</b>	ENG PROJECT #: <b>NONE</b>	<b>Ulti-Mate</b> Connector Inc.	
		APPROVED BY & DATE <b>DW 12/23/20</b>	PART NO. <b>836220710</b>	DRAWING NO. <b>SD-836220710</b>	SHEET NO. <b>1 of 1</b>	
		CAD FILE NAME <b>SD-836220710.sliddrw</b>	THIS DRAWING CONTAINS INFORMATION THAT IS PROPRIETARY TO ULTI-MATE INCORPORATED AND SHOULD NOT BE USED WITHOUT WRITTEN PERMISSION.			