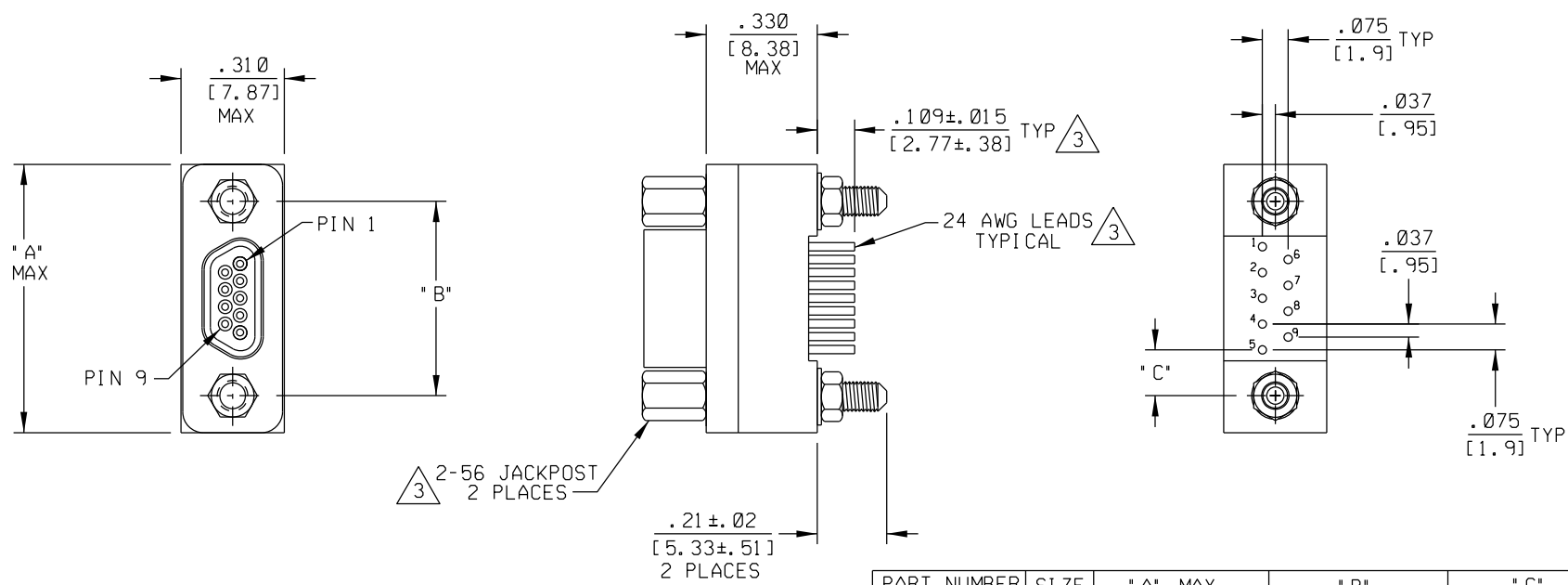


| PART REV | DWG ISSUE | DATE | ECN NO. | APPVD BY | REL BY |
|----------|-----------|------|---------|----------|--------|
| | | | | | |



| PART NUMBER | SIZE | "A" MAX | "B" | "C" |
|-------------|------|---------------|---------------|-------------|
| 836111917 | 9 | .785 [19.94] | .565 [14.35] | .133 [3.38] |
| 836121917 | 15 | .935 [23.75] | .715 [18.16] | .170 [4.32] |
| 836131917 | 21 | 1.085 [27.56] | .865 [21.97] | .170 [4.32] |
| 836141917 | 25 | 1.185 [30.10] | .965 [24.51] | .183 [4.65] |
| 836151917 | 31 | 1.335 [33.91] | 1.115 [28.32] | .183 [4.65] |
| 836161917 | 37 | 1.485 [37.27] | 1.265 [32.13] | .183 [4.65] |

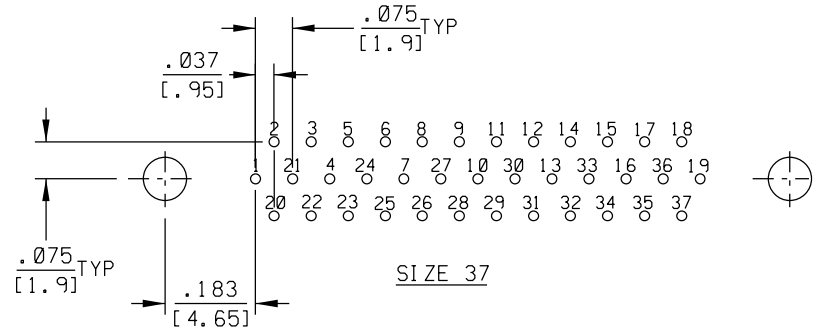
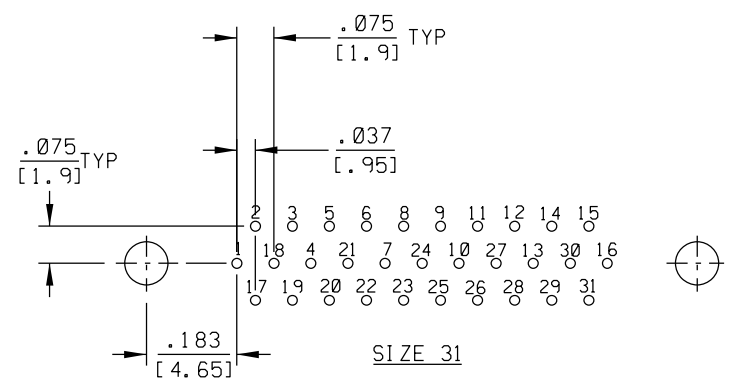
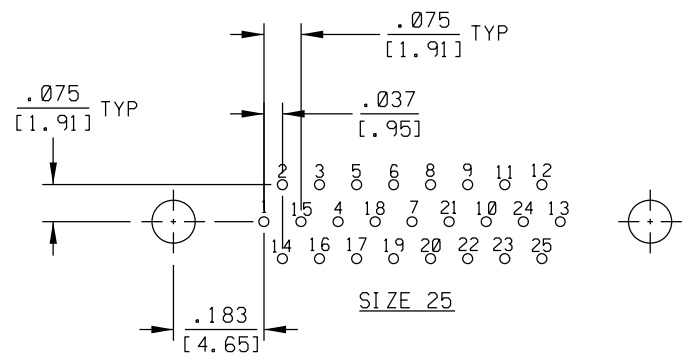
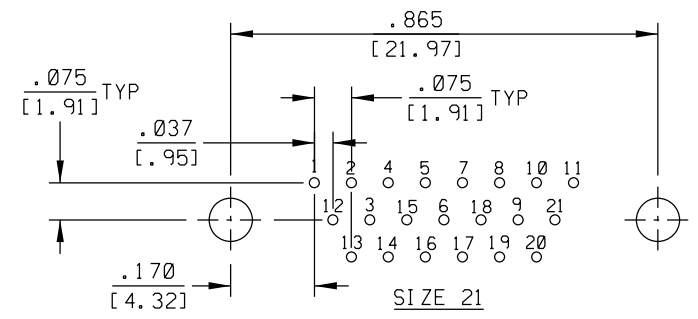
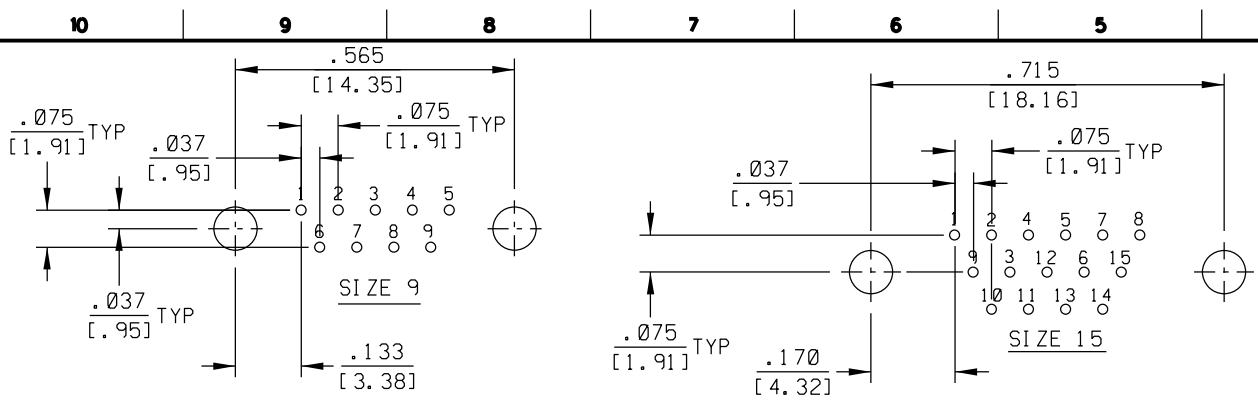
- 5. SEE SHEET 2 FOR RECOMMENDED PCB LAYOUTS
- 4. PERFORMANCE: MEETS OR EXCEEDS REQUIREMENTS OF MIL-DTL-83513
- $\triangle 3$ CONSULT FACTORY FOR AVAILABLE OPTIONS




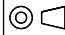
$\triangle 2$ MATERIALS:
 SHELL: 6061-T6 ALUMINUM PER SAE-AMS-QQ-A200/8, NICKEL PLATED PER AMS 2404
 INSULATOR AND BACKSHELL: PPS PER MIL-M-24519 GST-40F, COLOR: BLACK
 PIN CONTACTS: C17200 BERYLLIUM COPPER PER ASTM B194, GOLD PLATED PER ASTM B488
 24 AWG LEADS: TIN PLATED COPPER PER A-A-59551 TYPE S
 JACKPOSTS: PASSIVATED STAINLESS STEEL IAW MIL-DTL-83513/5

- 1. MARKING: UMI, DATE CODE, UMI P/N.
- NOTES: UNLESS OTHERWISE SPECIFIED

| | | | | | |
|--|--|--------------------------------|---------------------|---|-----------------------|
| QUALITY SYMBOLS MAJOR \blacktriangledown = CRITICAL $\triangle C$ = SPC $\triangle S$ = | UNLESS SPECIFIED: ALL DIMENSIONS IN INCHES/MM | SCALE 3:1 | DWG SIZE B | THIRD ANGLE PROJECTION | REVISE ON CAD ONLY |
| | GENERAL TOLERANCES: 3 PLACE $\pm .005$ / .13 2 PLACE $\pm .01$ / .25 ANGULAR $\pm 2^\circ$ | DRAWN BY & DATE DW 12-21-11 | | TITLE: CIRCUIT CONNECTOR, PLUG (PINS), SIZES 9 THRU 37, STYLE 7 (.075 X .075), CM7RXXP07-S01 | |
| | UMI-Mate CAGE CODE 58967 | CHECKED BY & DATE | | MATERIAL: $\triangle 2$ $\triangle 3$ Uti-Mate Connector Inc. | |
| | | APPROVED BY & DATE | | CAD FILENAME SD-8361 X1917-1.DGN | PART NO. SEE TABLE |
| | THIS DRAWING CONTAINS INFORMATION THAT IS PROPRIETARY TO ULTI-MATE INCORPORATED AND SHOULD NOT BE USED WITHOUT WRITTEN PERMISSION. | | SHEET NO. 1 OF 2 | REV | |

| PART REV | DWG ISSUE | DATE | ECN NO. | APPVD BY | REL BY |
|----------|-----------|------|---------|----------|--------|
| | | | | | |



| | | | | | | |
|--|---|--------------------------------|--|--|--------------------------------|---------------------|
| QUALITY SYMBOLS MAJOR  CRITICAL  SPC  | UNLESS SPECIFIED: ALL DIMENSIONS IN INCHES/MM | SCALE 3:1 | DWG SIZE B |  THIRD ANGLE PROJECTION | REVISE ON CAD ONLY | |
| | GENERAL TOLERANCES: 3 PLACE ±.005/.13 2 PLACE ±.01/.25 ANGULAR ±2° | DRAWN BY & DATE DW 12-21-11 | TITLE: RECOMMENDED PCB LAYOUTS STYLE 7, (.075 X .075), PLUG, SIZES 9 THRU 37, CM7RXXP07-S01 | | | |
| | Ulti-Mate CAGE CODE 58967 | CHECKED BY & DATE | MATERIAL: SEE SHEET 1 | | | |
| | Uti-Mate Connector Inc. | APPROVED BY & DATE | CAD FILENAME SD-8361 X1 91 7-2.DGN | PART NO. SEE SHEET 1 | DRAWING NO. SD-8361 X1 91 7 | SHEET NO. 2 OF 2 |
| THIS DRAWING CONTAINS INFORMATION THAT IS PROPRIETARY TO ULTI-MATE INCORPORATED AND SHOULD NOT BE USED WITHOUT WRITTEN PERMISSION. | | | | | REV | |

SEE SHEET 1 FOR GENERAL NOTES