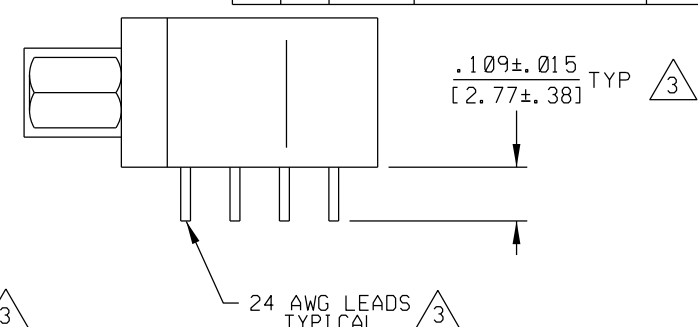
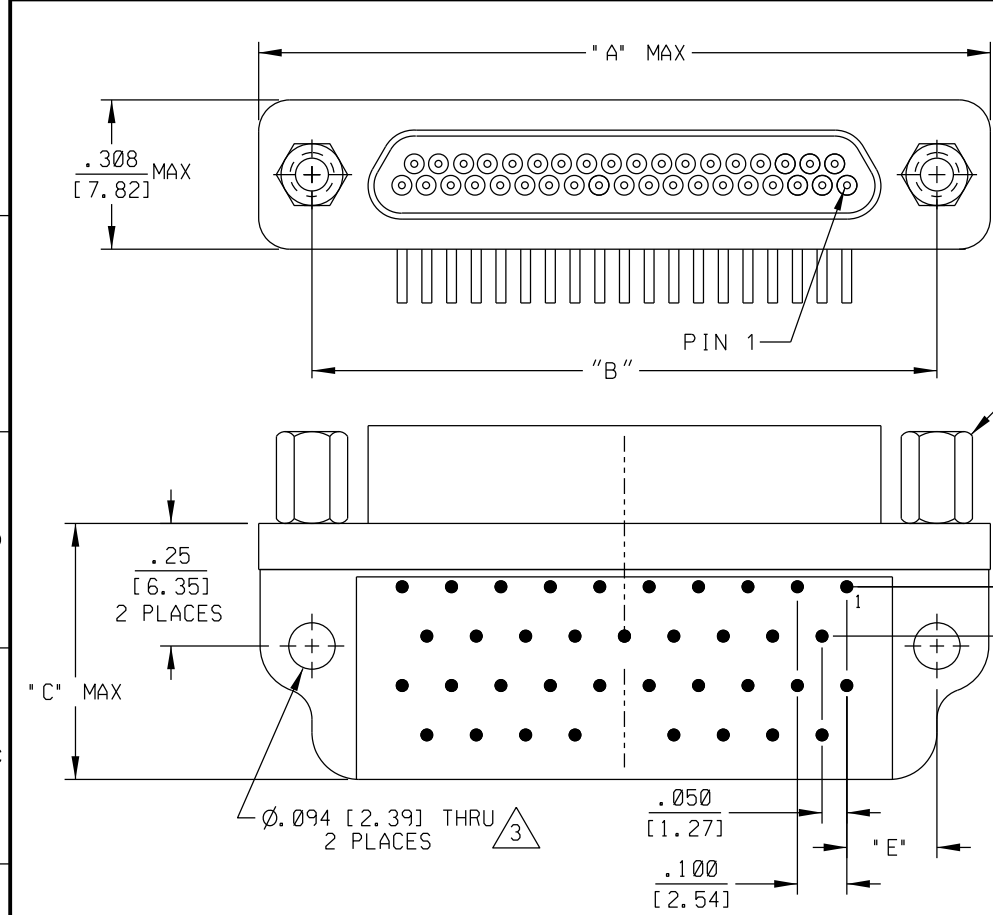


PART REV	DWG ISSUE	DATE	ECN NO.	APPVD BY	REL BY



- 5. SEE SHEET 2 FOR RECOMMENDED PCB LAYOUTS.
- 4. PERFORMANCE: MEETS OR EXCEEDS REQUIREMENTS OF MIL-DTL-83513
- 3 CONSULT FACTORY FOR AVAILABLE OPTIONS

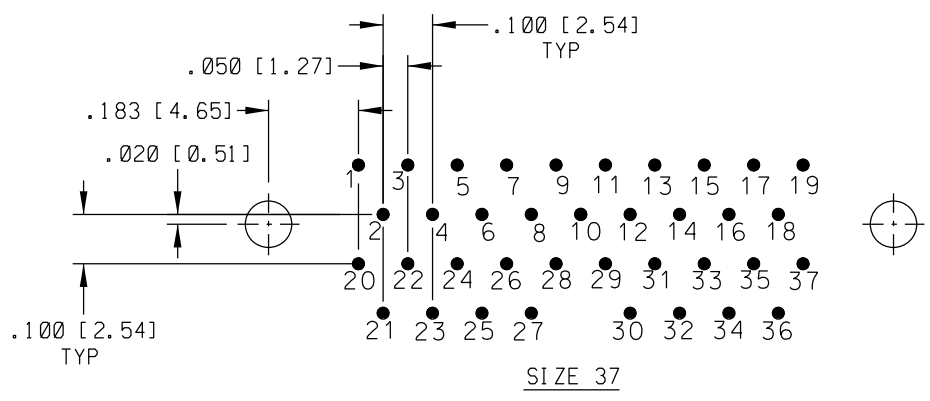
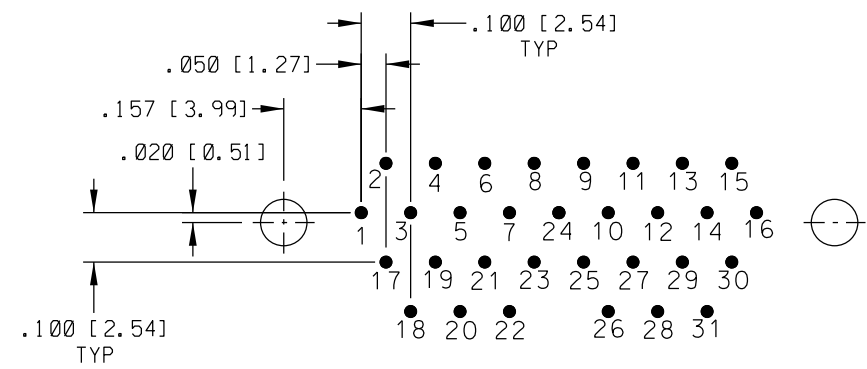
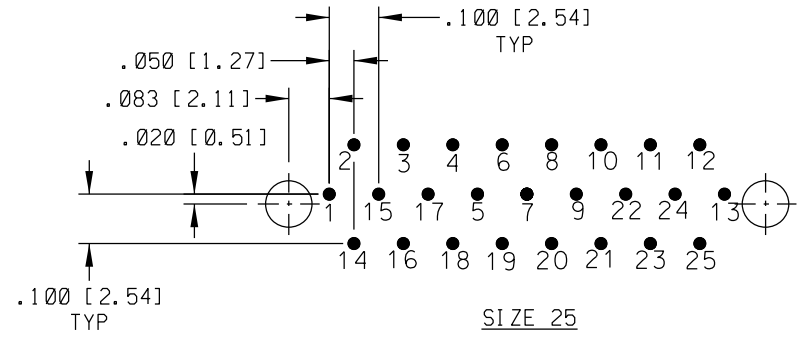
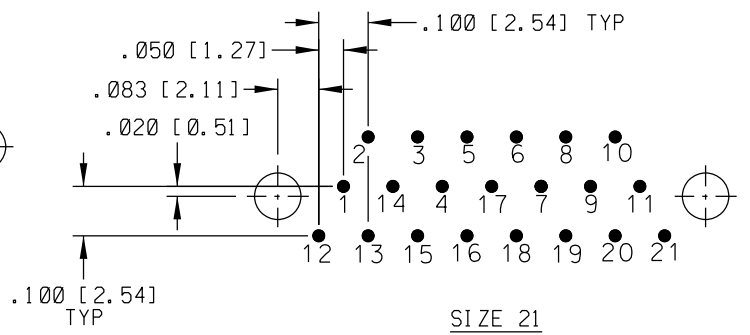
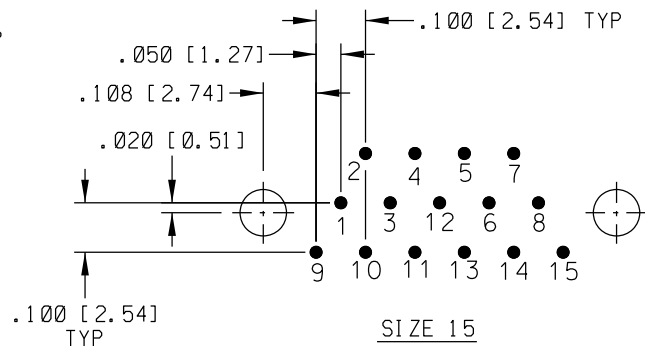
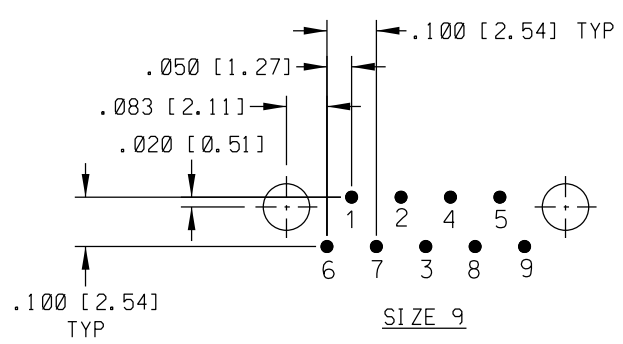
- 2 MATERIALS:  
 SHELL: 6061-T6 ALUMINUM PER AMS-QQ-A200/8, NICKEL PLATED PER AMS 2404  
 INSULATOR AND BACKSHELL: PPS PER MIL-M-24519 GST-40F, COLOR: BLACK  
 PIN CONTACTS: C17200 BERYLLIUM COPPER PER ASTM B194, GOLD PLATED PER ASTM B488  
 24 AWG LEADS: TIN PLATED COPPER PER A-A-59551 TYPE S  
 HARDWARE: PASSIVATED STAINLESS STEEL IAW MIL-DTL-83513/5

1. MARKING: UMI, DATE CODE, UMI P/N.  
 NOTES: UNLESS OTHERWISE SPECIFIED.

PART NO.	SIZE	"A" MAX	"B"	"C" MAX	"D"	"E"
836111117	9	.785 [19.94]	.565 [14.35]	.420 [10.67]	.230 [5.84]	.083 [2.11]
836121117	15	.935 [23.75]	.715 [18.16]	.420 [10.67]	.130 [3.30]	.108 [2.74]
836131117	21	1.085 [27.56]	.865 [21.97]	.420 [10.67]	.130 [3.30]	.083 [2.11]
836141117	25	1.185 [30.10]	.965 [24.51]	.420 [10.67]	.130 [3.30]	.083 [2.11]
836151117	31	1.335 [33.91]	1.115 [28.32]	.520 [13.21]	.130 [3.30]	.158 [4.70]
836161117	37	1.485 [37.72]	1.265 [32.13]	.520 [13.21]	.130 [3.30]	.183 [4.65]

QUALITY SYMBOLS MAJOR ▽ = 0 CRITICAL ▽/C = 0 SPC ▽/S = 0	UNLESS SPECIFIED: ALL DIMENSIONS IN INCHES/MM GENERAL TOLERANCES: 3 PLACE ±.002/.051 2 PLACE ±.005/.13 ANGULAR ±2°	SCALE 4:1 DWG SIZE B	THIRD ANGLE PROJECTION	REVISE ON CAD ONLY		
	DRAWN BY & DATE DW 10-14-11	TITLE: CIRCUIT CONNECTOR, PLUG, (PINS), SIZES 9 THRU 37, STYLE 1 (.100 X .100), CM1RXXP07-S01		MATERIAL: 2 3 Uti-Mate Connector Inc.		
	CHECKED BY & DATE	APPROVED BY & DATE	CAD FILENAME SD-8361X1117.DGN	PART NO. SEE CHART	DRAWING NO. SD-8361X1117	SHEET NO. 1 OF 2
	Uti-Mate CAGE CODE 58967			THIS DRAWING CONTAINS INFORMATION THAT IS PROPRIETARY TO ULTI-MATE INCORPORATED AND SHOULD NOT BE USED WITHOUT WRITTEN PERMISSION.		

PART REV	DWG ISSUE	DATE	ECN NO.	APPVD BY	REL BY



<b>QUALITY SYMBOLS</b> MAJOR $\nabla = 0$ CRITICAL $\nabla_C = 0$ SPC $\nabla_S = 0$	UNLESS SPECIFIED: ALL DIMENSIONS IN INCHES/MM	SCALE 4:1	DWG SIZE B	THIRD ANGLE PROJECTION	REVISE ON CAD ONLY	
	GENERAL TOLERANCES: 3 PLACE $\pm .002 / .051$ 2 PLACE $\pm .005 / .13$ ANGULAR $\pm 2^\circ$	DRAWN BY & DATE DW 10-14-11	TITLE: RECOMMENDED PCB LAYOUTS CIRCUIT CONNECTOR, PLUG (PINS), SIZES 9 THRU 37, STYLE 1 (.100 X .100)			
	Ulti-Mate CAGE CODE <b>58967</b>	CHECKED BY & DATE APPROVED BY & DATE	MATERIAL: SEE SHEET 1	Ulti-Mate Connector Inc.		
	CAD FILENAME SD-8361X1117.DGN	PART NO. SEE SHEET 1	DRAWING NO. SD-8361X1117	SHEET NO. 2 OF 2		
THIS DRAWING CONTAINS INFORMATION THAT IS PROPRIETARY TO ULTI-MATE INCORPORATED AND SHOULD NOT BE USED WITHOUT WRITTEN PERMISSION.					REV	