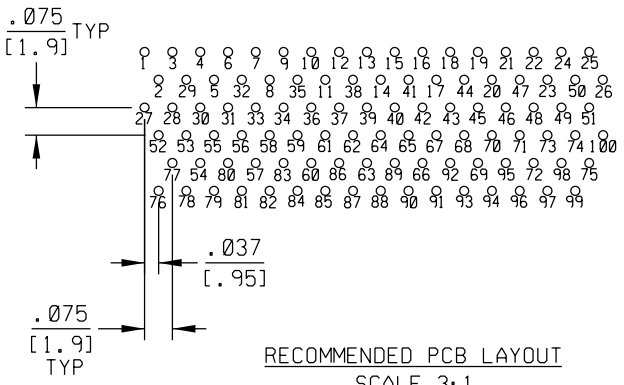
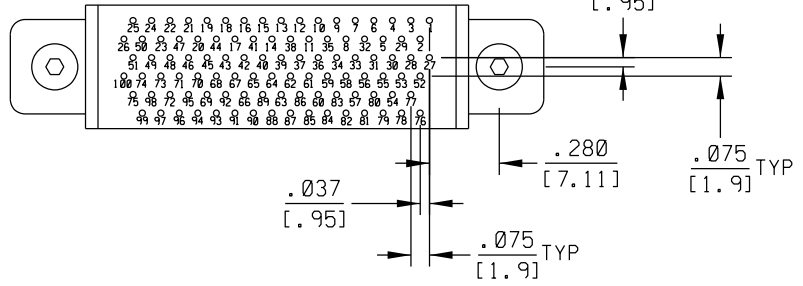
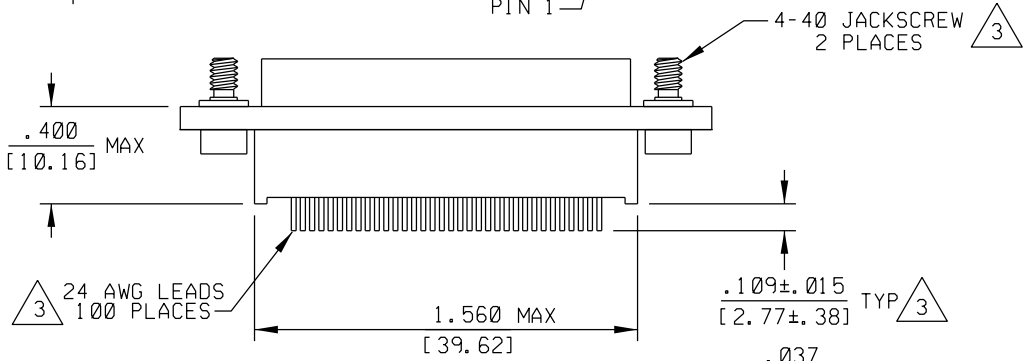
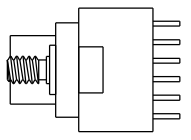
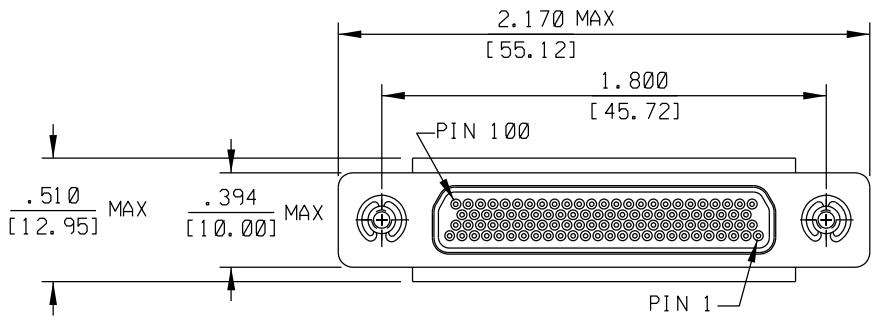


PART REV	DWG ISSUE	DATE	ECN NO.	APPVD BY	REL BY



- 4. PERFORMANCE: MEETS OR EXCEEDS REQUIREMENTS OF MIL-DTL-83513
- (triangle 3) CONSULT FACTORY FOR AVAILABLE OPTIONS
- (triangle 2) MATERIALS:
 SHELL: 6061-T6 ALUMINUM PER SAE-AMS-QQ-A200/8, NICKEL PLATED PER AMS 2404
 INSULATOR AND BACKSHELL: PPS PER MIL-M-24519 GST-40F, COLOR: BLACK
 PIN CONTACTS: C17200 BERYLLIUM COPPER PER ASTM B194, GOLD PLATED PER ASTM B488
 24 AWG LEADS: TIN PLATED COPPER PER A-A-59551 TYPE S
 HARDWARE: PASSIVATED STAINLESS STEEL IAW MIL-DTL-83513/5
 1. MARKINGS: "UMI", UMI DATE CODE, AND UMI PART NUMBER.
 NOTES: UNLESS OTHERWISE SPECIFIED.

QUALITY SYMBOLS MAJOR CRITICAL SPC	UNLESS SPECIFIED: ALL DIMENSIONS IN INCHES/MM GENERAL TOLERANCES: 3 PLACE ±.005/.13 2 PLACE ±.01/.25 ANGULAR ±2°	SCALE 2:1	DWG SIZE B	THIRD ANGLE PROJECTION	REVISE ON CAD ONLY
	Uti-Mate CAGE CODE 58967	DRAWN BY & DATE DW 11-10-11	TITLE: CIRCUIT CONNECTOR, PLUG (PINS), SIZE 100, STYLE 16 (.075 X .075), CM16R100P12-S01		MATERIAL: (triangle 2) (triangle 3) Uti-Mate Connector Inc.
APPROVED BY & DATE		CHECKED BY & DATE	CAD FILENAME SD-836181712.DGN	PART NO. 836181712	DRAWING NO. SD-836181712
THIS DRAWING CONTAINS INFORMATION THAT IS PROPRIETARY TO ULTI-MATE INCORPORATED AND SHOULD NOT BE USED WITHOUT WRITTEN PERMISSION.				SHEET NO. 1 OF 1	REV