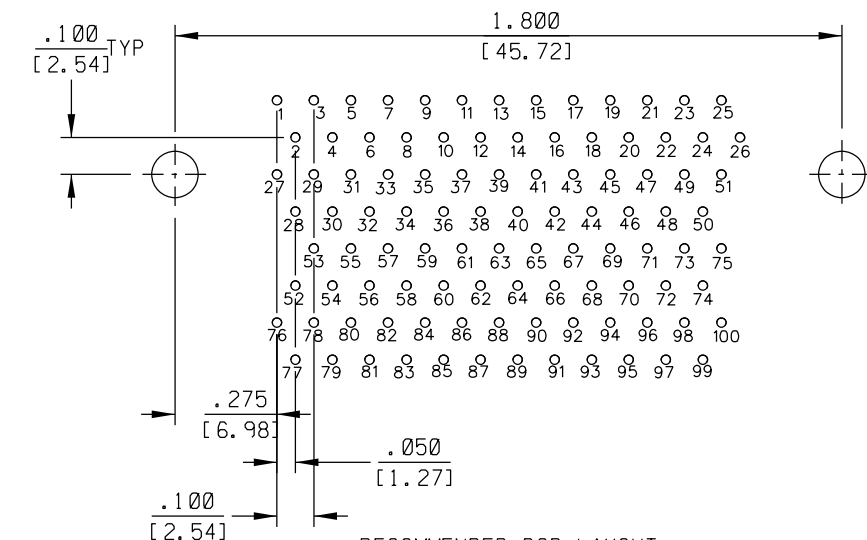
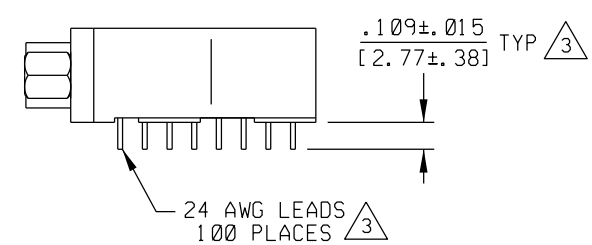
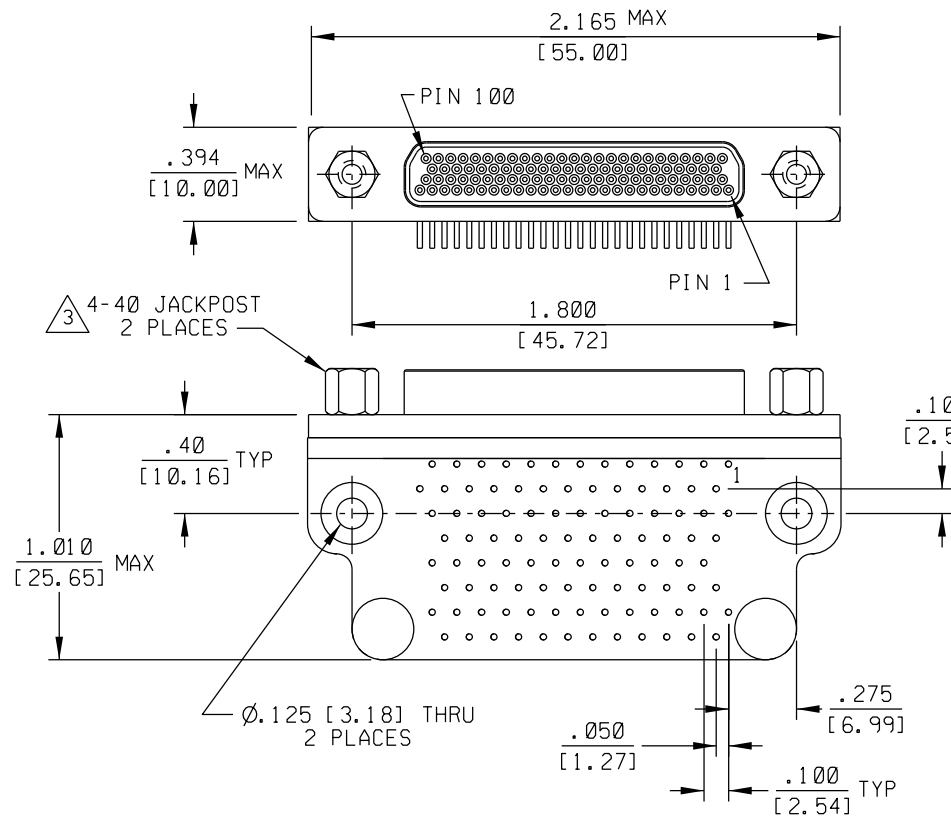


PART REV	DWG ISSUE	DATE	ECN NO.	APPVD BY	REL BY



4. PERFORMANCE: MEETS OR EXCEEDS REQUIREMENTS OF MIL-DTL-83513

3 CONSULT FACTORY FOR AVAILABLE OPTIONS.

2 MATERIALS:
 SHELL: 6061-T6 ALUMINUM PER QQ-A200/8 NICKEL PLATED PER AMS2404
 INSULATOR AND BACKSHELL: PPS PER MIL-M-24519 GST-40F, COLOR: BLACK
 PIN CONTACTS: C17200 BERYLLIUM COPPER PER ASTM B194
 GOLD PLATED PER ASTM B488
 24 AWG LEADS: TIN PLATED COPPER PER A-A-59551 TYPE S
 HARDWARE: PASSIVATED STAINLESS STEEL IAW MIL-DTL-83513/5.
 MARKING: "UMI", UMI PART NUMBER, AND UMI DATE CODE.

1 NOTES: UNLESS OTHERWISE SPECIFIED

QUALITY SYMBOLS MAJOR CRITICAL SPC	UNLESS SPECIFIED: ALL DIMENSIONS IN INCHES/MM	SCALE 2:1	DWG SIZE B	THIRD ANGLE PROJECTION	REVISE ON CAD ONLY
	GENERAL TOLERANCES: 3 PLACE ±.002/.051 2 PLACE ±.005/.13 ANGULAR ±2°	DRAWN BY & DATE DW 10-24-11	TITLE: CIRCUIT CONNECTOR, PLUG (PINS) SIZE 100, STYLE 1 (.100 X .100), CMRIRI00P17-S01		
	Ulti-Mate CAGE CODE 58967	CHECKED BY & DATE	MATERIAL: 2 3 Ulti-Mate Connector Inc.		
		APPROVED BY & DATE	CAD FILENAME SD-836181117.DGN	PART NO. 836181117	DRAWING NO. SD-836181117
		THIS DRAWING CONTAINS INFORMATION THAT IS PROPRIETARY TO ULTI-MATE INCORPORATED AND SHOULD NOT BE USED WITHOUT WRITTEN PERMISSION.			